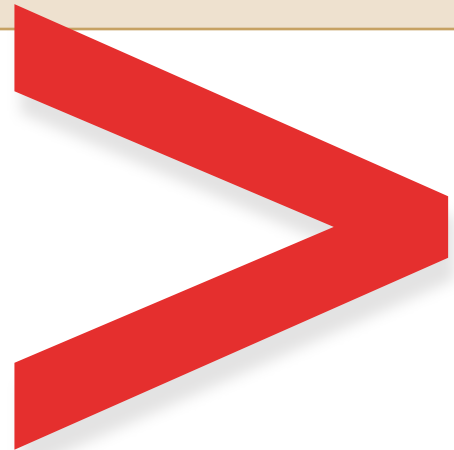
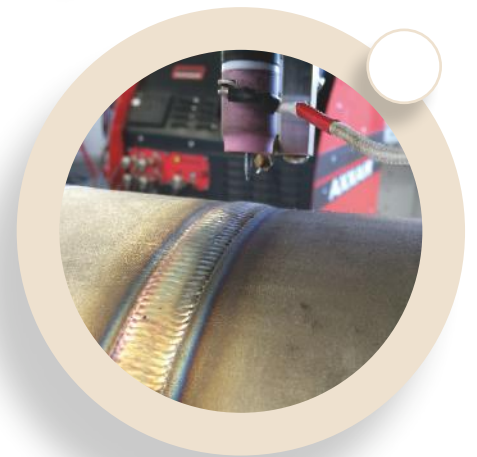
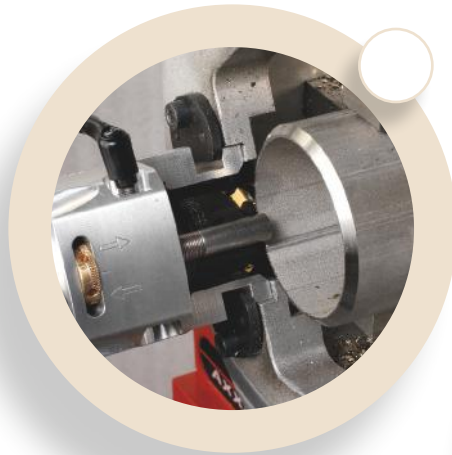


AXXAIR

INNOVATIVE ORBITAL SOLUTIONS

Product catalogue

Cutting, **beveling** & orbital **welding** machines
for **thick walled tubes** > 3 mm wall thickness



Join **experience**

| Content | | Page | |
|---------------------------|-----------------------------|-----------------------------|----|
| Our founding principles | | 3-4 | |
| Thick walled tube markets | | 5 | |
| Orbital cutting | Machines | 6 | |
| | Accessories and consumables | 11 | |
| Orbital beveling | Machines | 22 | |
| | Accessories and consumables | 27 | |
| Orbital welding | Open heads | Machines | 35 |
| | | Accessories and consumables | 41 |
| | Tube to tubesheet | Machines | 48 |
| | | Accessories and consumables | 56 |
| | Power sources | Machines | 59 |
| | | Accessories and consumables | 62 |
| | Générateurs | Machines | 65 |
| | | Accessoires et consommables | 70 |
| Our teams at your service | | 78 | |





Frédéric Legrand
- CEO and founder of AXXAIR -



AXXAIR
- designer, manufacturer and distributor -

AXXAIR supports its customers in more than 60 countries worldwide by offering global orbital cutting, squaring, bevelling and welding solutions.

We focus heavily on the needs of users and have adopted a service-oriented approach. We begin by determining the user's needs in terms of preparing items for welding and, of course, orbital welding itself.

We then provide the user's personnel with training on this equipment, in order to ensure that users are able to independently manage the applications they may need to use.

“

Understanding our customers and their needs, anticipating and meeting their expectations - these are AXXAIR's goals. We are able to respond to developments in our customers' ever-changing markets thanks to our various departments, R&D and Design Office.

AXXAIR offers unique and original tube working solutions. We believe that a lasting, high quality relationship with our customers is essential and have therefore developed local services to provide our customers with advice, by means of our subsidiaries and our distribution network.

AXXAIR is able to assist you at every stage of your project: creating samples, demonstrations, training, after-sales service, advice, etc.

”

Services and a team :
- Join experience -

AXXAIR is your first point of contact for all tube working issues, from preparation to welding. With an experienced, responsive and committed team, AXXAIR will always suggest the most suitable solution.

“**Join experience**” sums up our philosophy, which is based on a community that always goes the extra mile.



Global Process

AXXAIR has been designing, manufacturing and distributing its orbital tube working machines since 1997.



Our business is based upon the global tube working process: preparation (cutting, bevelling or squaring) and orbital welding.

Our overall product strategy allows us to offer innovative solutions and adopt a global approach to your tube and pipework projects.



Production

AXXAIR SAS is committed to maintaining industrial employment in France. To this end, 98% of manufacturing is carried out in the Rhone-Alpes region of France.

We sub-contract 100% of our production to partners, including machine shops, sheet metalworking sub-contractors, electronics specialists, etc.

We design all our machines in our in-house design office, which has an expert team of 3 staff.



A Worldwide presence

AXXAIR is established in areas where customer demand is high, in order to be able to provide a local, high-quality service, with ever faster turnaround times.

Our products are distributed in more than 60 countries by our network of subsidiaries (in Korea, the USA and Germany) and our “distributor” partners, all of whom have been trained on our premises.

With a commercial strategy based on **innovation, quality and performance**, the AXXAIR Group, a family-owned company, has become a successful group, whose business is continually expanding both in France and on export markets.



Sustainable development

AXXAIR is committed to the sustainable development of industrial activities. As a part of our sustainable approach, we have decided to stop producing printed catalogues.

In today's connected world, we believe that digital catalogues, with added features, are a practical and suitable alternative for everyone. We hope that you understand and will adopt this approach, for our good and the good of future generations.

This on-line catalogue can be printed, should you wish to do so, such that our vision is not imposed unilaterally. However, we would like to encourage you not to print it, or to only print out the information that is of greatest interest to you.





High quality for transporting fluids

A wide range of industries use tubes to transport fluids. The more sensitive the fluid, the more attention needs to be paid to all the connections, the majority of which are welded: tube to tube or tube to T or tube to elbow, for example.

The majority of tubes are made from stainless steel, in order to avoid corrosion and reactions between the tube and the fluid.

The chemical and petrochemical industry

The fluids transported within these industries' facilities are among the most corrosive and therefore require thick walled tubes known as "pipes".

These pipes are often made from stainless steel or other highly corrosion-resistant refractory materials, as well as black steel.

These pipes are cut, bevelled and then assembled by orbital welding.

Depending on their wall thickness, pipes are welded using straightforward filler wire or using AVC and oscillation systems.



The energy industry

Conventional coal, nuclear or solar energy generation industries use pipes to withstand operating pressures.

This industry occasionally uses TIG orbital welding to allow welds to be inspected - 100% of welds are frequently inspected (thermal solar).

Pressurized steam is often transported and requires perfect control of welded joints for continuous use.

Shipbuilding

Shipbuilding often requires a large quantity of pipes with large wall thicknesses.

Their installation in confined spaces is often facilitated by the use of an orbital welding machine, because access is limited for welders.

Other markets

Seawater desalination systems also use pipes, as salt water corrodes tubes.

Compressed air pipework systems use large diameter pipes with large wall thickness (5 to 6 mm) in order to have sufficient strength.

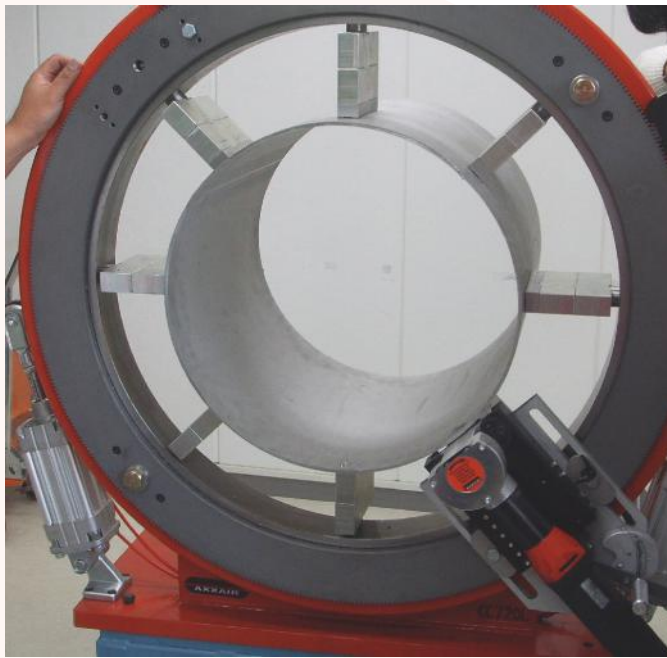


AXXAIR orbital cutting

A proper tube preparation is essential to produce a proper weld.

High quality cutting is guaranteed by AXXAIR's orbital cutting machines. The machines feature stainless steel concentric jaws to prevent the deformation of the tubes.

The perfect position of the tube within the machine also guaranty the perpendicularity of the cut as the saw travels around the tube and the consistency that perpendicularity cut after cut.

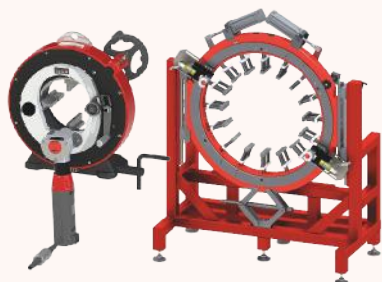


The precision of our cutting machine allow a perfect tube to tube alignment, with the smallest gap possible, removing the need to facing the tube therefore saving a significant amount of time and money.

AXXAIR's orbital cutting machines are an indispensable tool for any automatic and orbital welding.

AXXAIR has the **largest orbital cutting range in the world !**

11 different models to cut tubes from diameter **5 to 1100 mm!**



Join **experience**

FLEXIBILITY, PRODUCTIVITY

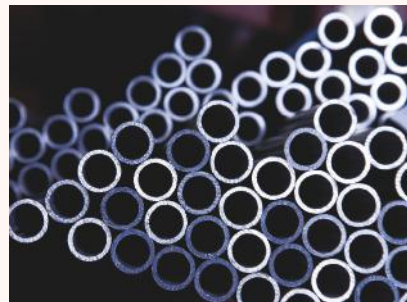
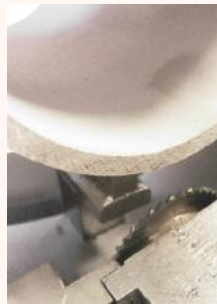
AXXAIR frames are quickly and easily scalable for bevelling and orbital welding.

QUALITY

Cutting with no tube distortion, (multi-contact concentric clamping) ideal for thin walled stainless steel tubes. High quality geometric cutting (perpendicularity of <math><0.25\text{ mm}</math>) and excellent surface quality (few burrs).

PORTABILITY

With the easy to remove sawing attachment, AXXAIR's cutting machines are easy to transport on site or move within a workshop. Perfect preparation for thick tubes before bevelling and welding with wire.

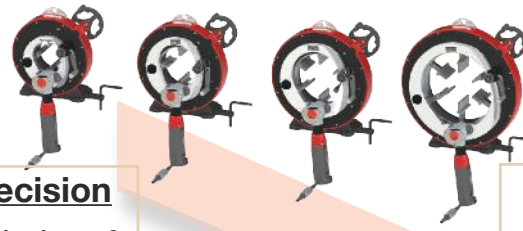


Please do not hesitate to contact us for all enquiries relating to orbital cutting technology.

We are glad to share our decades long experience in orbital cutting and helping you to select the solution that fits your needs.



122 - 172 - 222 - 322



No tube deformation

Concentric clamping



Basic and extra stainless steel jaws: no pollution of stainless steel tubes

Cutting precision

Perpendicularity of < 0.25 mm

Cutting quality

Rotation handle for controlled and continuous cutting speed

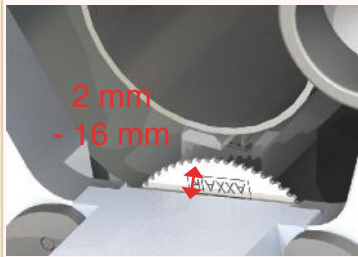
A perfect sealing against chips

All rotating parts are incorporated in the body



Reduced vibration and increased blade life

Optimised blade to jaw distance



Global Process

Can be transformed into an orbital bevelling and welding machine

Uptake

feature a dual blade position allowing to cut elbows or flanges with no wasting of tube.

1200W motor or pneumatic motor (as required)

Cutting capacity: Up to 15 mm wall thickness*

Easy handling and transportation



Continuous use

Anti-twist cable with bearings. Protects the electric cable from damage resulting from rotation around the tube.

Opening capacity

| | |
|-----|------------------------------------|
| 122 | ø5 - ø119 mm 0.25" - 4.5" |
| 172 | ø16 - ø173 mm 0.625" - 6.625" |
| 222 | ø55 - ø228 mm 2.375" - 8.625" |
| 322 | ø141 - ø328 mm 5.563" - 12.750" |

*depending on the type of steel



122- 172 - 222- 322



AXXAIR
INNOVATIVE ORBITAL SOLUTIONS

Technical specifications:

Low speed motor:

120V or 230V, 1200W, electronic speed variator with a cutting compensator
Vibration level in accordance with standard EN 28662: <math><2.5\text{m/s}^2</math>, Protection class: IP 20

Rotation speed (6 speed variations): from 30 RPM to 75 RPM

Pneumatic motor:

60 to 110 rpm, air flow 1500 l/min at 6 bar

All motors are supplied in their own individual cases, including the necessary tools

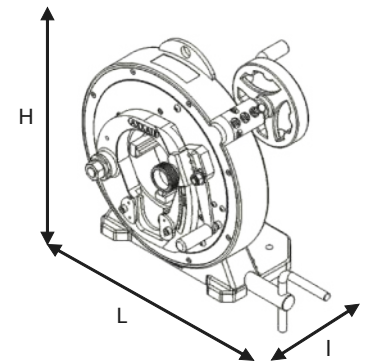
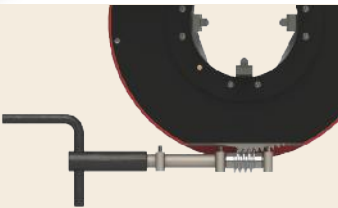


Robustness:

Very efficient clamping system thanks to a screw without end directly engaged on the clamping cam.

Easy maintenance and control:

- Lubrication of the inner parts with the grease nipples
- Quick access to the inner screw



| | Product Code | Machine's jaw opening capacity in mm | | Net weight | Dimensions (HxLxW in mm) |
|-------------------------------------|--------------|--------------------------------------|----------------------------|------------|--------------------------|
| | | With basic jaws | With extra jaws (included) | | |
| 120V 1200W low-speed motor | 122FS15 | Ø29 - Ø119 | Ø5 - Ø99 | 44 kg | 443 x 541 x 304 |
| | 172FS15 | Ø74 - Ø173 | Ø16 - Ø116 | 51 kg | 493 x 566 x 304 |
| | 222FS15 | Ø128 - Ø228 | Ø55 - Ø155 | 59 kg | 548 x 594 x 304 |
| | 322FS15 | Ø230 - Ø328 | Ø141 - Ø239 | 71 kg | 649 x 644 x 304 |
| 230V 1200W low-speed motor | 122FS25 | Ø29 - Ø119 | Ø5 - Ø99 | 44 kg | 443 x 541 x304 |
| | 172FS25 | Ø74 - Ø173 | Ø16 - Ø116 | 51 kg | 493 x 566 x 304 |
| | 222FS25 | Ø128 - Ø228 | Ø55 - Ø155 | 59 kg | 548 x 594 x 304 |
| | 322FS25 | Ø230 - Ø328 | Ø141 - Ø239 | 71 kg | 649 x 644 x 304 |
| Pneu- matic motor | 122PD | Ø29 - Ø119 | Ø5 - Ø99 | 44 kg | 443 x 541 x304 |
| | 172PD | Ø74 - Ø173 | Ø16 - Ø116 | 51 kg | 493 x 566 x 304 |
| | 222PD | Ø128 - Ø228 | Ø55 - Ø155 | 59 kg | 548 x 594 x 304 |
| | 322PD | Ø230 - Ø328 | Ø141 - Ø239 | 71 kg | 649 x 644 x 304 |

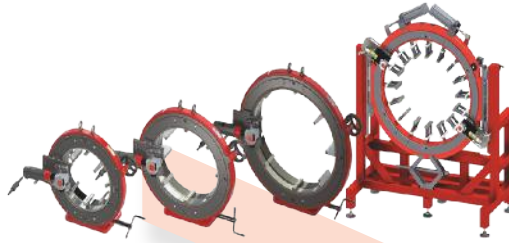


Join **experience**



421- 521-721-1100

AXXAIR
INNOVATIVE ORBITAL SOLUTIONS



No tube deformation

Concentric clamping



Basic and extra **stainless steel** jaws: no pollution of stainless steel tubes

Cutting precision

Perpendicular cuts < 0.4 mm

Uptake

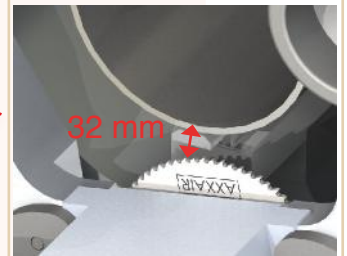
feature a dual blade position allowing to cut elbows or flanges with no wasting of tube.

Cutting quality

Rotation handle for controlled and continuous cutting speed

Reduced vibration and increased blade life

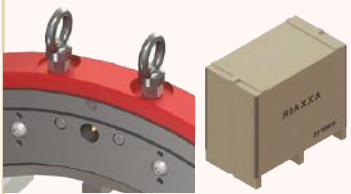
Optimised blade to jaw distance



Continuous use

Anti-twist cable with bearings. Protects the electric cable from damage resulting from rotation around the tube.

Easy handling and transportation



1200W motor or pneumatic motor (as required)

Cutting capacity:
Up to a wall thickness of 15 mm*

Opening capacity

| | |
|------|--------------------------------|
| 421 | ø212 - ø422 mm 8.625 - 16 " |
| 521 | ø312 - ø522 mm 12.75 - 20 " |
| 721 | ø447 - ø725 mm 18 - 28" |
| 1100 | ø711 - ø1016 mm 28 - 40 " |

*depending on the type of steel



421-521-721-1100



Technical specification:

- Low-speed motor:

120V or 230V, 1200W, electronic speed variator with a cutting compensator

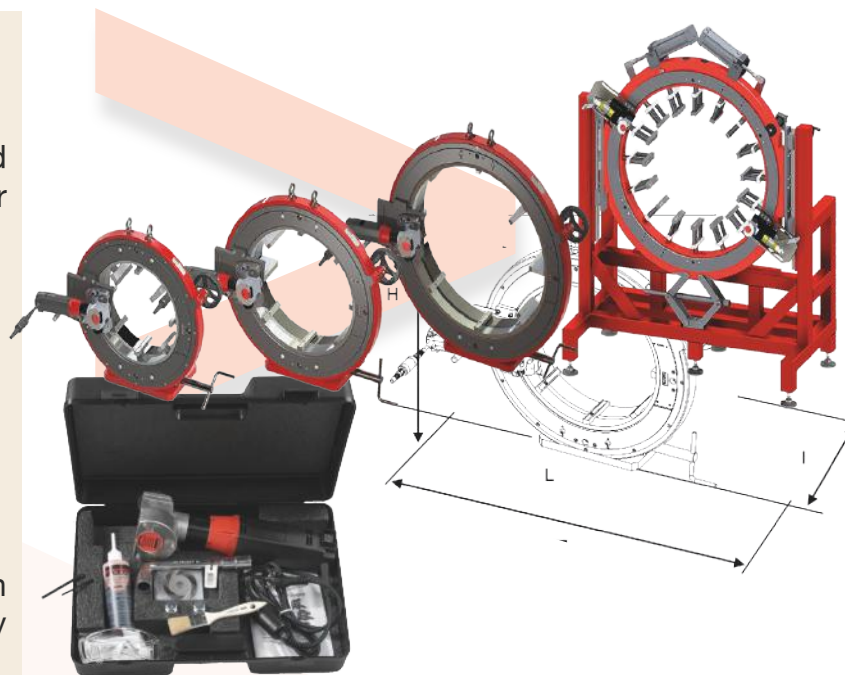
Vibration level in accordance with standard EN 28662: <2.5m/s², Protection class: IP 20

Rotation speed (6 speed variations)
from 30 RPM to 75 RPM

- Pneumatic motor:

60 to 110 rpm, air flow 1500 l/min at 6 bar

All motors are supplied in their own individual cases, including the necessary tools.



| | Product Code | Machine's jaw opening capacity in mm | | Net weight | Dimensions (HxLxW in mm) |
|-------------------------------------|--------------|--------------------------------------|----------------------------|------------|--------------------------|
| | | With basic jaws | With extra jaws (included) | | |
| 120V 1200W low-speed motor | 421FS15 | Ø350 - Ø422 | Ø212 - Ø352 | 186 kg | 802x838x315 |
| | 521FS15 | Ø450 - Ø522 | Ø312 - Ø452 | 223 kg | 905x889x315 |
| | 721FS15 | Ø653 - Ø725 | Ø447 - Ø654 | 256 kg | 1104x1077x315 |
| 230V 1200W low-speed motor | 421FS25 | Ø350 - Ø422 | Ø212 - Ø352 | 186 kg | 802x838x315 |
| | 521FS25 | Ø450 - Ø522 | Ø312 - Ø452 | 223 kg | 905x889x315 |
| | 721FS25 | Ø653 - Ø725 | Ø447 - Ø654 | 256 kg | 1104x1077x315 |
| Pneu- matic motor | 421PD | Ø350 - Ø422 | Ø212 - Ø352 | 186 kg | 802x838x315 |
| | 521PD | Ø450 - Ø522 | Ø312 - Ø452 | 223 kg | 905x889x315 |
| | 721PD | Ø653 - Ø725 | Ø447 - Ø654 | 256 kg | 1104x1077x315 |
| | 1100 | On request | | | |



Orbital Cutting - Accessories

AXXAIR

INNOVATIVE ORBITAL SOLUTIONS

Our support legs and stands have been designed to further facilitate cutting by ensuring that the machine is stable in different conditions: in a workshop or on site.

The great advantages of these products:

- lightness
- flexible handling
- easy to use



| Product Code | Description | Net Weight | Dimensions (in cm) |
|--------------|--------------|------------|--------------------|
| CCPS21 | Support legs | 10 kg | 103 x 32 x 11 |

Support legs for orbital cutting machines:

- quick assembly and dismantling
- height adjustment with screws
- storage box at the back
- optimum stability

| | | | | | | | |
|-------|-------|-------|-------|-----|-----|-----|------|
| ✓ 122 | ✓ 172 | ✓ 222 | ✓ 322 | 421 | 521 | 721 | 1100 |
|-------|-------|-------|-------|-----|-----|-----|------|



| Product Code | Description | Net Weight | Dimensions (in cm) |
|--------------|-------------|------------|--------------------|
| CCSER1 | Stand | 10 kg | 60 x 26 x 10 |

Simple stand for supporting tubes with height adjustment:

- quick assembly and dismantling
- height adjustment

| | | | | | | | |
|-------|-------|-------|-------|-----|-----|-----|------|
| ✓ 122 | ✓ 172 | ✓ 222 | ✓ 322 | 421 | 521 | 721 | 1100 |
|-------|-------|-------|-------|-----|-----|-----|------|



| Product Code | Description | Net Weight | Dimensions (in cm) |
|--------------|------------------------------------|------------|--------------------|
| CCSER2 | Stand (with chrome steel bearings) | 11 kg | 60 x 26 x 10 |

Stand with chrome steel bearings for supporting tubes with height adjustment:

- quick assembly and dismantling
- height adjustment
- facilitates tube feeding after each cut

| | | | | | | | |
|-------|-------|-------|-------|-----|-----|-----|------|
| ✓ 122 | ✓ 172 | ✓ 222 | ✓ 322 | 421 | 521 | 721 | 1100 |
|-------|-------|-------|-------|-----|-----|-----|------|



Orbital Cutting - Accessories



Our support benches help you to position and feed your tubes without the aid of stands. The height-adjustable table helps you easily and precisely set the height of your machine, for cutting tubes placed on the support bench.

The additional tube support bench allows you to position your longest tubes in a stable manner on all benches.

We also recommend that you support the cut section in front of your cutting machine using one or more additional benches, depending on the length of the tube.



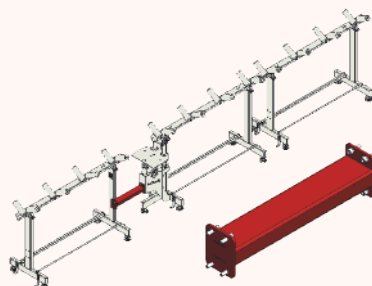
| Product Code | Description | Net Weight | Dimensions (in cm) |
|--|------------------------------|---------------------------------------|--------------------|
| CCBSB-X1 | Bench with height adjustment | 57 kg | 184 x 95 x 51 |
| <u>Height-adjustable support bench, 1.5m</u> | | | |
| - stainless steel rollers | | - maximum load: 350 kg | |
| - handle for height adjustment | | - ø min pipe: 5 mm | |
| - 1.5 m long | | - ø max pipe: 321 mm | |
| | | - compatible with machines 121 to 321 | |

| | | | | | | | |
|-------|-------|-------|-------|-----|-----|-----|------|
| ✓ 122 | ✓ 172 | ✓ 222 | ✓ 322 | 421 | 521 | 721 | 1100 |
|-------|-------|-------|-------|-----|-----|-----|------|



| Product Code | Description | Net weight | Dimensions (in cm) |
|---|--------------------------|---------------------------------------|--------------------|
| CCBSB-X2 | Additional support bench | 38 kg | 150 x 95 x 51 |
| <u>Additional tube support bench:</u> | | | |
| - stainless steel rollers | | - min tube ø: 5 mm | |
| - 1.5 m long | | - max tube ø: 321 mm | |
| - maximum load 350 kg uniformly distributed | | - compatible with machines 121 to 321 | |

| | | | | | | | |
|-------|-------|-------|-------|-----|-----|-----|------|
| ✓ 122 | ✓ 172 | ✓ 222 | ✓ 322 | 421 | 521 | 721 | 1100 |
|-------|-------|-------|-------|-----|-----|-----|------|



| Product Code | Description | Net Weight | Dimensions (in mm) |
|--|----------------|------------|--------------------|
| CCBSB-B005 | Connecting bar | 3 kg | 100 x 80 x 402 |
| <u>Connecting bar for CCBSB-X1 and CCBSB- X2:</u> | | | |
| - Allows the height-adjustable table to be connected to a bench placed in front of the machine | | | |

| | | | | | | | |
|-------|-------|-------|-------|-----|-----|-----|------|
| ✓ 122 | ✓ 172 | ✓ 222 | ✓ 322 | 421 | 521 | 721 | 1100 |
|-------|-------|-------|-------|-----|-----|-----|------|



Orbital cutting - Accessories (End stop)

AXXAIR

INNOVATIVE ORBITAL SOLUTIONS

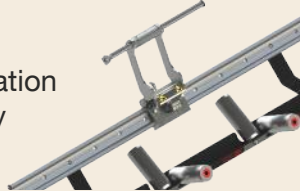
In addition to our CCBB-X1 and CCBB-X2 benches, we offer benches with an end stop system. These stops are very simple to use and avoid all measurement errors.

No pollution of the tube:

All parts that are in contact with the tube are made of stainless steel (the rollers but also the stop finger)

Retractable stop:

In order to facilitate the evacuation of the cut, the stop is manually retractable.



- Lengths available:
1500 - 3000 - 4500 - 6000 - 7500 and 9000 mm
- Working stroke: Length - 200 mm
- Delivered by module of 1500mm to be put together
- Max load per module: 350 kg (evenly distributed)
- Max push on the stop: 10 kg
- Operating temperature: 0 - 50 ° C
- Relative humidity: 35 - 85%

They can be assembled on the **feed-in or feed-out** section of the cutting machine

They are available **with a ruler or with an LCD display.**

Feed-in assembly



Feed-out assembly



LCD display

Possibility of selecting the direction of counting, the position of the decimal point, the unit of measurement (mm or inches), reset / preset of the measurement, absolute / relative dimension.

- Battery powered. Lifetime of about 4 years. The discharged battery icon appears when battery replacement is required. Replacement is easily done without loss of the value and configuration parameters.



- Resolution 0.1 mm

Ruler

- Ruler in mm
- Equipped with a magnifying lens
- Resolution 1.0 mm



✓ 122

✓ 172

✓ 222

✓ 322

421

521

721

1100



Join **experience**



Orbital cutting - Accessories (End stop)

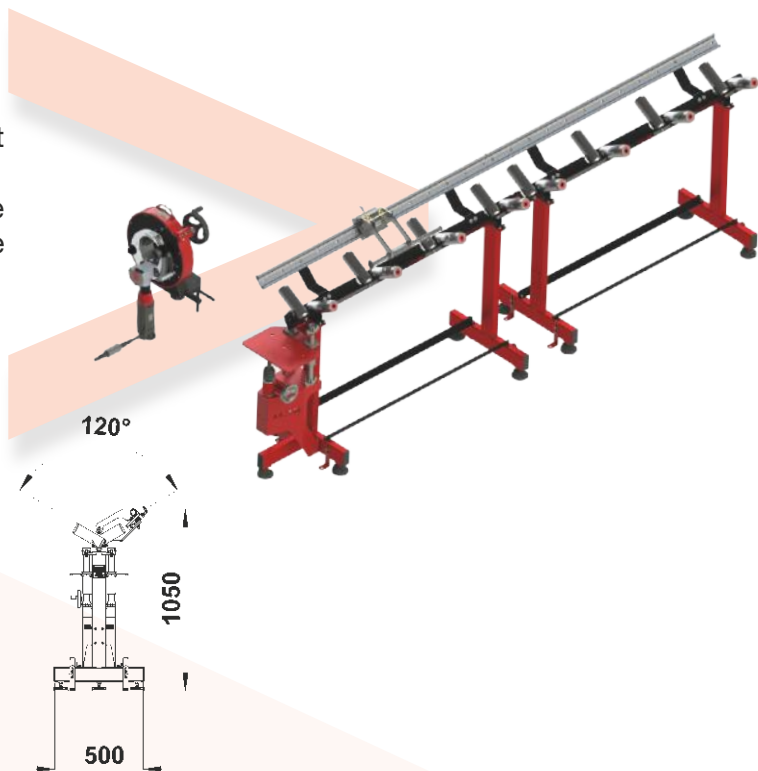
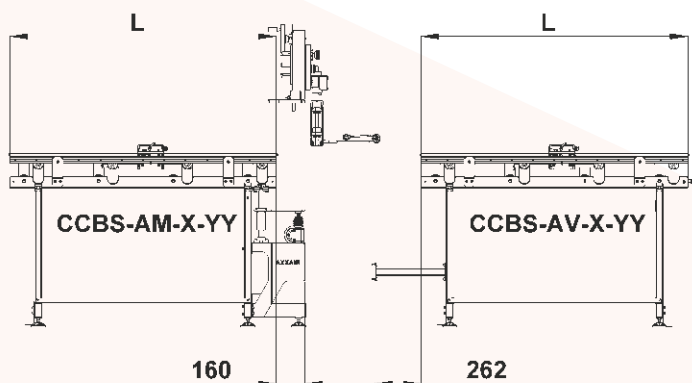
AXXAIR

INNOVATIVE ORBITAL SOLUTIONS

Feed-in assembly

The parts are delivered unassembled in transport boxes, per module of 1,5 m.

They must be assembled, aligned and fixed to the ground. The magnetic ruler (with LDC display) or the ruler must be glued at the end of the assembly.



The system is delivered with the height-adjustable support bench (CCBSB-X1), additional support benches, the starting end stop module and its extensions.

| Assembly | Reader | Length (in mm) | Working stroke (in mm) | Product code | Net weight | | |
|---|----------------|----------------|------------------------|---------------|------------|-----|------|
| on the feed-in section of the cutting line | Ruler | 1500 | 1300 | CCBSB-AM-R-15 | 65 kg | | |
| | | 3000 | 2800 | CCBSB-AM-R-30 | 104 kg | | |
| | | 4500 | 4300 | CCBSB-AM-R-45 | 143 kg | | |
| | | 6000 | 5800 | CCBSB-AM-R-60 | 163 kg | | |
| | | 7500 | 7300 | CCBSB-AM-R-75 | 200 kg | | |
| | | 9000 | 8800 | CCBSB-AM-R-90 | 238 kg | | |
| | LCD display | 1500 | 1300 | CCBSB-AM-D-15 | 65 kg | | |
| | | 3000 | 2800 | CCBSB-AM-D-30 | 104 kg | | |
| | | 4500 | 4300 | CCBSB-AM-D-45 | 143 kg | | |
| | | 6000 | 5800 | CCBSB-AM-D-60 | 163 kg | | |
| | | 7500 | 7300 | CCBSB-AM-D-75 | 200 kg | | |
| | | 9000 | 8800 | CCBSB-AM-D-90 | 238 kg | | |
| ✓122 | ✓172 | ✓222 | ✓322 | 421 | 521 | 721 | 1100 |

You can add CCBSB-X2 modules to support the tube after the cutting process (in front of the cutting machine) with the CCBSB-B005 connecting bar (see previous pages).



Join **experience**

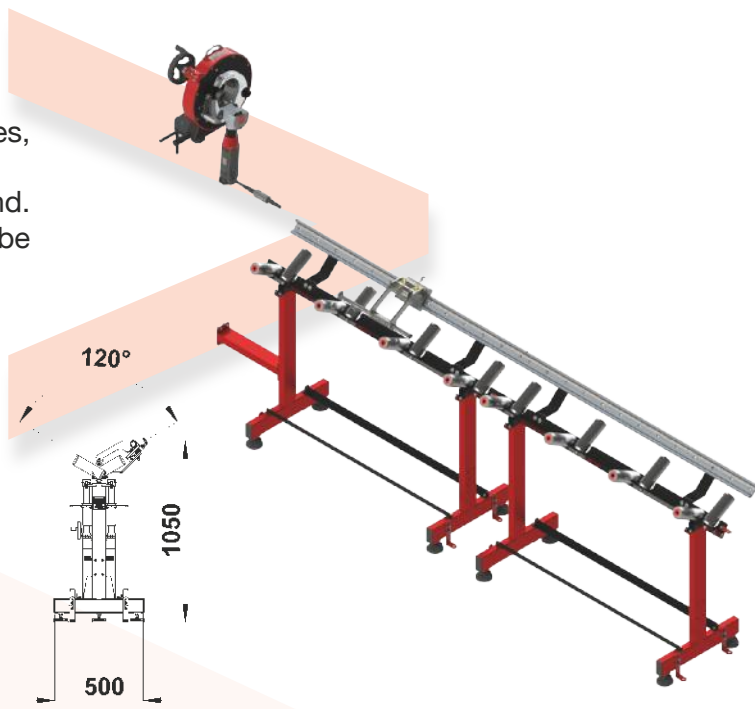
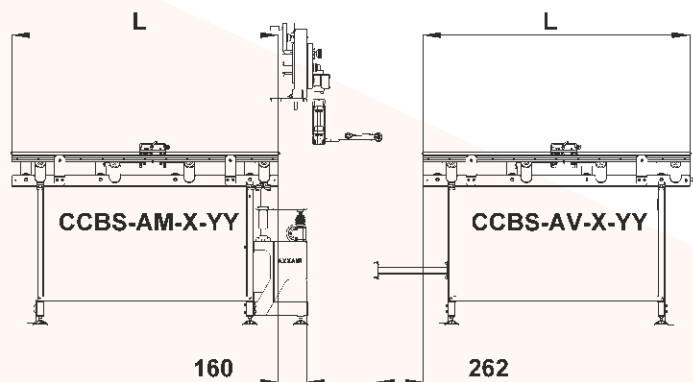


Orbital cutting - Accessories (End stop)



Feed-out assembly

The parts are delivered unassembled in transport boxes, per module of 1,5 m.
They must be assembled, aligned and fixed to the ground.
The magnetic ruler (with LDC display) or the ruler must be glued at the end of the assembly.



The system comes with: CCBSB-X2 support bench modules, the starting end stop module and its extensions, the CCBSB-B005 connecting bar.

Attention: For all references with AV (bench with end stop on the feed-out section) we must also deliver at least one CCBSB-X1 bench (height-adjustable support bench) to support the cutting machine.

| Assembly | Reader | Length (in mm) | Working stroke (in mm) | Product code | Net weight | | |
|--|-------------|----------------|------------------------|----------------------|------------|-----|------|
| on the feed-out section of the cutting line | Ruler | 1500 | 1300 | CCBSB-AV-R-15 | 46 kg | | |
| | | 3000 | 2800 | CCBSB-AV-R-30 | 85 kg | | |
| | | 4500 | 4300 | CCBSB-AV-R-45 | 124 kg | | |
| | | 6000 | 5800 | CCBSB-AV-R-60 | 163 kg | | |
| | | 7500 | 7300 | CCBSB-AV-R-75 | 201 kg | | |
| | | 9000 | 8800 | CCBSB-AV-R-90 | 240 kg | | |
| on the feed-out section of the cutting line | LCD display | 1500 | 1300 | CCBSB-AV-D-15 | 46 kg | | |
| | | 3000 | 2800 | CCBSB-AV-D-30 | 85 kg | | |
| | | 4500 | 4300 | CCBSB-AV-D-45 | 124 kg | | |
| | | 6000 | 5800 | CCBSB-AV-D-60 | 163 kg | | |
| | | 7500 | 7300 | CCBSB-AV-D-75 | 201 kg | | |
| | | 9000 | 8800 | CCBSB-AV-D-90 | 240 kg | | |
| ✓122 | ✓172 | ✓222 | ✓322 | 421 | 521 | 721 | 1100 |



Orbital Cutting - Accessories

AXXAIR

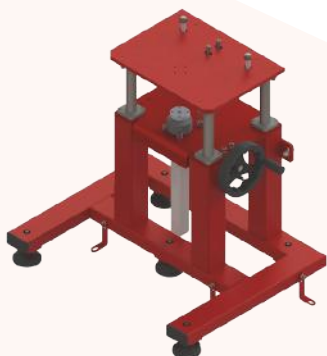
INNOVATIVE ORBITAL SOLUTIONS

Our support benches help you to position and feed your tubes without the aid of stands. The height-adjustable table helps you easily and precisely set the height of your machine, for cutting tubes placed on the support bench.

The additional tube support bench allows you to position your longest tubes in a stable manner on all benches.

We also recommend that you support the cut section in front of your cutting machine using one or more additional benches, depending on the length of the tube.

These products are available on request



| Product Code | Description | Net weight | Dimensions |
|--------------|-------------------------|------------|-----------------|
| CCBSB2-003 | Height-adjustable table | 53.5 kg | 75 x 73 x 54 mm |

Height-adjustable table for 422 / 521 / 721:

- adjustable table height
- optimum stability

| | | | | | | | |
|-----|-----|-----|-----|------|------|------|------|
| 122 | 172 | 222 | 322 | ✓421 | ✓521 | ✓721 | 1100 |
|-----|-----|-----|-----|------|------|------|------|

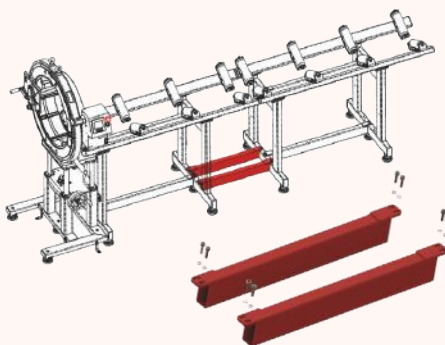


| Product Code | Description | Net Weight | Dimensions |
|--------------|--------------------|------------|------------------|
| CCBSB2-004 | Tube support bench | 72.8 kg | 97 x 71 x 150 mm |

Tube support bench for 422 / 521 / 721:

- quick assembly and dismantling
- height adjustment
- 1.5 m long
- optimum stability

| | | | | | | | |
|-----|-----|-----|-----|------|------|------|------|
| 122 | 172 | 222 | 322 | ✓421 | ✓521 | ✓721 | 1100 |
|-----|-----|-----|-----|------|------|------|------|



| Product Code | Description | Net weight | Dimensions |
|--------------|----------------|------------|-----------------|
| CCBSB2-005 | Connecting bar | 6.5 kg | 8.5 x 4 x 65 mm |

Connecting bar between two CCBSB2 support benches:

- quick assembly and dismantling
- ensures optimum stability

| | | | | | | | |
|-----|-----|-----|-----|------|------|------|------|
| 122 | 172 | 222 | 322 | ✓421 | ✓521 | ✓721 | 1100 |
|-----|-----|-----|-----|------|------|------|------|



Orbital Cutting - Accessories

AXXAIR

INNOVATIVE ORBITAL SOLUTIONS

New autoline electric rotation:

Measures and displays the cutting/bevelling motor's power consumption

- enables the motor and cycle to be stopped in the event of overconsumption
- protects the motor and frees the operator from watching the machine
- detects whether the motor is straining and whether the blade is worn

3.5 colour touch-screen allowing you to:

- enter the diameter and precisely adjust the feed speed in mm/min
- aid adjustment with a suggested motor speed and feed speed based on the type of material and the blade used
- perform quick and easy configuration
- display the cutting/bevelling motor's consumption
- display in English, French or German
- choose the unit of measure: mm or inch

Welding mode with prefab machine and SAXX generator: 4-button display (Start, Stop, Left, Right) with the addition of a power source connection cable

(Ref. SAEX-A02 for addition, more details in the "ORBITAL WELDING" section of the catalogue)

This rotation is compatible with our previous **121, 171, 221, 321, 421, 521 and 721** models.

The previous SAEP-00/000 rotation cannot be fitted to our new **122, 172, 222 and 322** models.



| Product Code | Description | Net Weight | Dimensions(in mm) |
|--------------|----------------------------|------------|-------------------|
| SAEX-00 | Autoline electric rotation | 6.3 kg | 320 x 261x 193 |

Autoline electric inverter for CC122 to 322:

- 110 V to 230 V
- even rotation
- easy to use
- precise adjustment

| | | | | | | | |
|-------|-------|-------|-------|-----|-----|-----|------|
| ✓ 122 | ✓ 172 | ✓ 222 | ✓ 322 | 421 | 521 | 721 | 1100 |
|-------|-------|-------|-------|-----|-----|-----|------|



| Product Code | Description | Net Weight | Dimensions (in mm) |
|--------------|----------------------------|------------|--------------------|
| SAEX-000 | Autoline electric rotation | 6.3 kg | 320 x 261x 193 |

Autoline electric inverter for CC421 to 721:

- 110 V to 230 V
- even rotation
- easy to use
- precise adjustment

| | | | | | | | |
|-----|-----|-----|-----|-------|-------|-------|------|
| 122 | 172 | 222 | 322 | ✓ 421 | ✓ 521 | ✓ 721 | 1100 |
|-----|-----|-----|-----|-------|-------|-------|------|



Join **experience**



Orbital Cutting - Consumables

AXXAIR

INNOVATIVE ORBITAL SOLUTIONS



Orbital cutting blades

High quality blades (HSS + Cobalt) sold in boxes of 5

-The tooth pitch & design are essential for chip evacuation, in order to achieve a high quality cut. AXXAIR has produced the most efficient blade design possible for various cutting applications.

-Often preferred to our competitors' blades, AXXAIR blades are compatible with the majority of other orbital cutting machines.

| Product Code | Cutting tubes with wall thicknesses of | | Blade ø | Number of teeth |
|--|--|--------------|---------|-----------------|
| LS6844 | 2 to 7mm | 0.08 – 0.28" | 68 mm | 44 |
| LS8034 | 5 to 12 mm | 0.20 – 0.47" | 80 mm | 34 |
| LS8054 | 2 to 7 mm | 0.08 – 0.28" | 80 mm | 54 |
| LS9038 | 5 to 15 mm | 0.20 – 0.59" | 90 mm | 38 |
| LCA9028A (sold individually) | 4 to 15 mm | 0.15 – 0.59" | 90 mm | 28 |
| For cutting carbon steel ONLY and ONLY with a FS29/ FS19 high-speed motor. Cutting is performed WITHOUT lubricant. | | | | |
| LC300 (sold individually) | 30 ° bevelling blade | | 78 mm | 20 |
| LC375 (sold individually) | 37.5 ° bevelling blade | | 78 mm | 20 |

✓ 122

✓ 172

✓ 222

✓ 322

✓ 422

✓ 521

✓ 721

✓ 1100



| Product Code | Description | Volume |
|--------------|------------------|--------|
| CCLUH | liquid lubricant | 250 ml |

High performance oil lubricant, sold in packs of 5:

- Recommended for all FS cutting motors
- Safety data sheet available on request

✓ 122

✓ 172

✓ 222

✓ 322

✓ 422

✓ 521

✓ 721

✓ 1100



1 machine - 3 applications

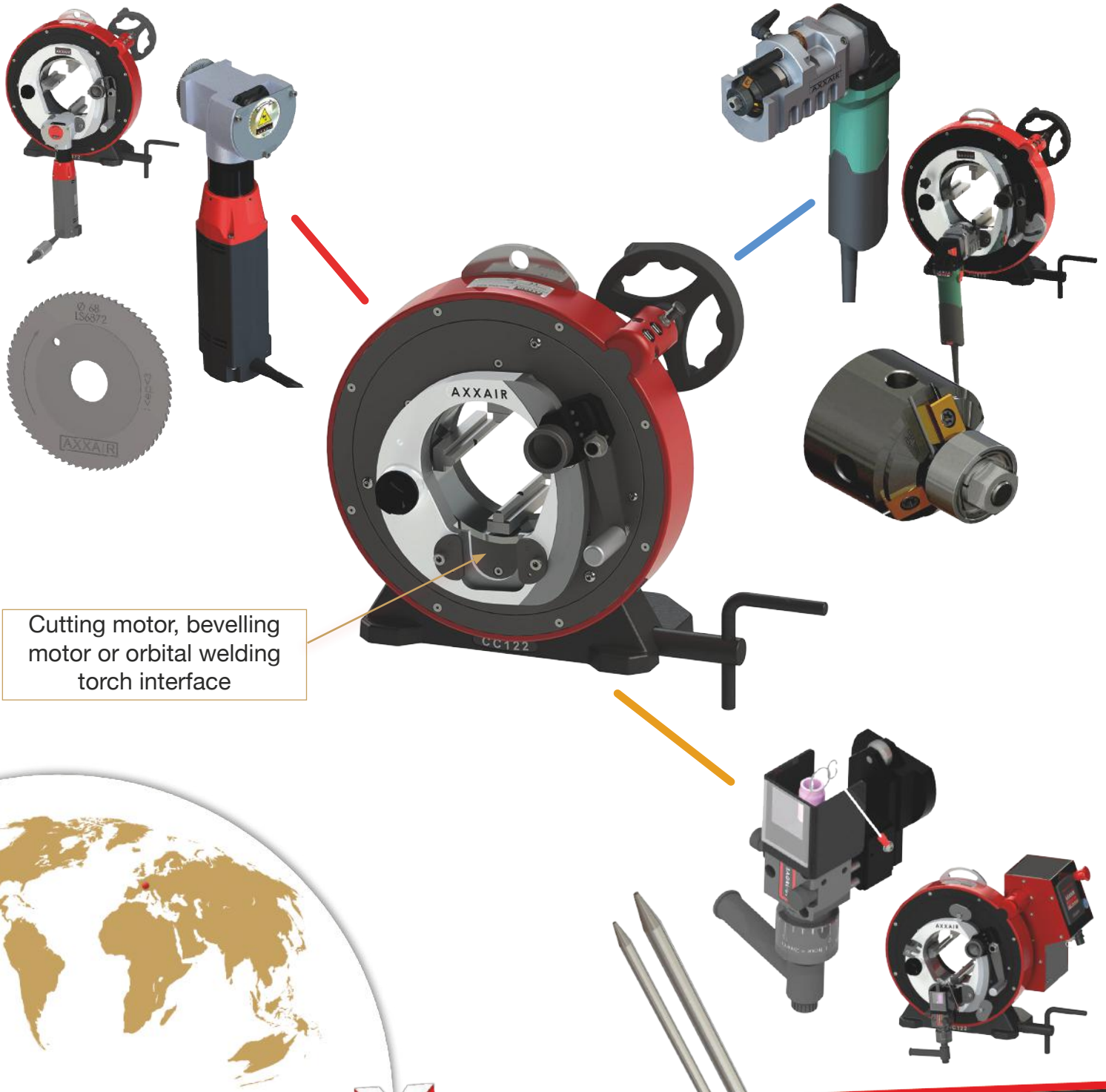
AXXAIR
INNOVATIVE ORBITAL SOLUTIONS

The AXXAIR Group was the first to offer a triple and exclusive solution, from preparation to orbital welding:

the global process

For more than 20 years, a single machine frame (122, 172, 222 and 322) has enabled three operations to be carried out:

Cutting, bevelling and orbital welding



Cutting motor, bevelling motor or orbital welding torch interface

AXXAIR

INNOVATIVE ORBITAL SOLUTIONS

Accessories (electric clamping)

NEW



You realize **important series** in your company and want to be more effective during your projects? Our electric clamping is the ideal answer for the preparation and / or welding of your tubes.

The electric clamping makes it possible to carry out a **repetitive and constant force tightening** on tubes with identical diameters and thicknesses.

The **clamping force is adjustable**, it prevents the tubes from being deformed or marked.

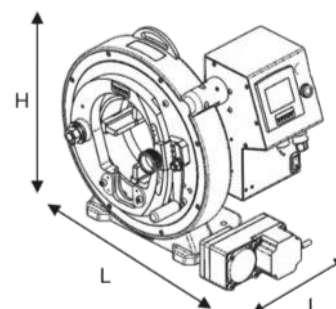
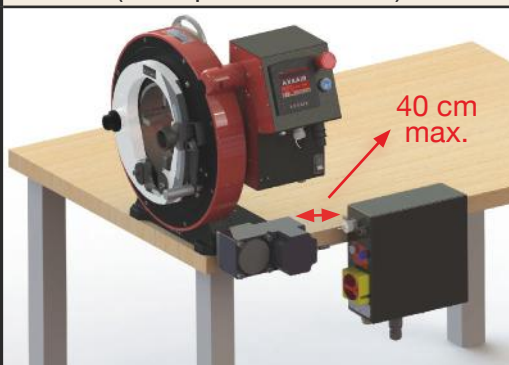
Technical specifications:

- 24Vdc brushless motor, motor torque: 34N.m
- Tightening force on the tube: 850 kg maximum, adjustable from 15 to 100%
- Clamping speed: 86 mm / min (diameter)
- The electric clamping is sold with the body frame and the automatic rotation

Fixation on an AXXAIR support bench



Fixation on an other support (example: workbench)



| Product code | Body frame, automatic rotation and electric clamping Machine's jaw opening capacity in mm | | Net weight | Dimensions (HxLxI in mm) |
|--------------|--|----------------------------|------------|--------------------------|
| | With basic jaws | With extra jaws (included) | | |
| 122-AU | Ø29 - Ø119 | Ø5 - Ø99 | 51 kg | 470 x 498 x 359 |
| 172-AU | Ø74 - Ø173 | Ø16 - Ø116 | 58 kg | 520 x 530 x 359 |
| 222-AU | Ø128 - Ø228 | Ø55 - Ø155 | 66 kg | 575 x 575 x 359 |
| 322-AU | Ø230 - Ø328 | Ø141 - Ø239 | 80 kg | 675 x 662 x 359 |

Caution: Remember to order one or more motors (cutting, bevelling or welding torch) and the consumables needed with the sets listed above.



Join **experience**



1 machine - 3 applications



| Product Code | Description | Net weight |
|---|------------------------|------------|
| FS xx / MOPD | Cutting motor | 5 kg |
| Low-speed / high-speed / pneumatic motor with dual output (uptake): | | |
| 120V | Low-speed motor: FS15 | 122 |
| | High-speed motor: FS19 | |
| 230V | Low-speed motor: FS25 | 222 |
| | High-speed motor: FS29 | |
| Pneumatic | MOPD | 322 |

To use this motor you will need to order: suitable cutting blades for the tube thickness you want to cut and, if necessary, lubricant.

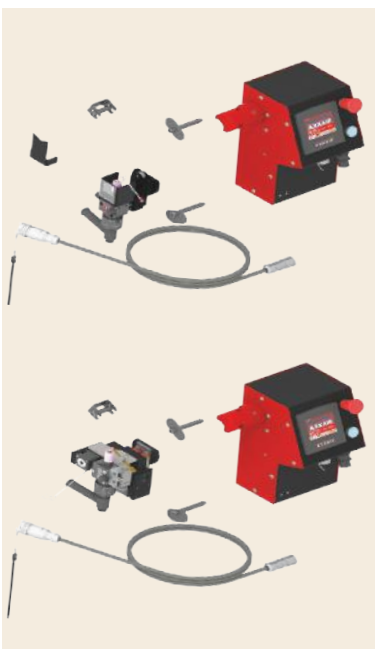
All information and relevant product codes appear in the orbital cutting accessories and consumables section of this catalogue.



| Product Code | Description | Net Weight | | | |
|--|--------------------|------------|------|--------------|-------|
| GA10 - x - xx | Beveling motor kit | 5 kg | | | |
| 120V / 230V beveling motor supplied with a chip shield and a workpiece guide tailored to the frame of your cutting / prefab welding machine: | | | | | |
| 120V | Product Code | Frame | 230V | Product Code | Frame |
| | GA10-M1-122 | 122 | | GA10-M2-122 | 122 |
| | GA10-M1-172 | 172 | | GA10-M2-172 | 172 |
| | GA10-M1-222 | 222 | | GA10-M2-222 | 222 |
| | GA10-M1-322 | 322 | | GA10-M2-322 | 322 |

To use this motor and bevel your tubes you will need to order: one or more milling heads and carbide inserts.

All information and relevant product codes appear in the orbital beveling accessories and consumables section of this catalogue.



| Product Code | Description | Net Weight |
|--|-----------------------|---------------------------------|
| SX - KIT x | Torch kit | depending on the chosen product |
| KIT for upgrading a CC/GA to an SX Air / Water / AVC+OSC torch | | |
| Cooling | Product Code | Frame |
| AIR | SX-2KITA | 122 |
| EAU | SX-2KITE | 172 |
| | SX-2KITNAOF (AVC/OSC) | 222 |
| | | 322 |
| If you have acquired the electrical clamping (xx2-AU), please order the references below, they are delivered without automatic rotation: | | |
| AIR | SX-3KITA | 122 |
| EAU | SX-3KITE | 172 |
| | SX-3KITNAOF (AVC/OSC) | 222 |
| | | 322 |

To use this KIT and to prefab weld, you will need to order: a suitable AXXAIR welding power supply for the tubes you want to weld.

All information and relevant product codes appear in the orbital welding section of this catalogue.





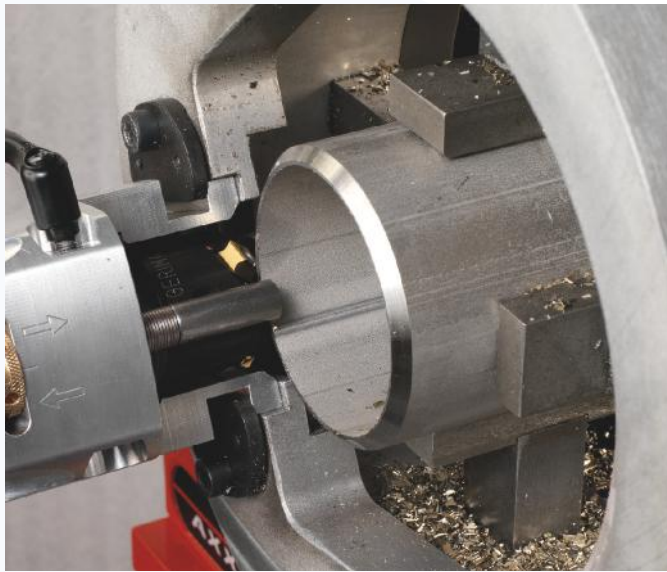
AXXAIR's orbital beveling

AXXAIR

INNOVATIVE ORBITAL SOLUTIONS

The success of an orbital weld relies primarily on preparation of the parts to be welded. Of the various preparation steps, a good quality bevel, which is suitable for the welding process, is essential.

Following orbital cutting, the face of the tube is perfectly perpendicular and free of burrs. At this point, beveling is essential to ensure that the weld bead's geometry is appropriate, particularly on the inside (penetration).



Above a thickness of 3 mm, simple fusion involves a melt volume that is too significant to guarantee proper geometric control of the weld bead. To remedy this, beveling reduces the quantity of material to be fused in order to achieve proper penetration.

As a result, several passes are usually needed to finish the weld bead (filling and finishing). The bevel shape is created by the welding equipment used.

AXXAIR'S UNIQUE AND PATENTED CONCEPT

AXXAIR's orbital beveling machines use a carbide milling head rotating at high speed to remove a large quantity of chips in **a single rotation of the tool around the tube** (orbital).

This patented process avoids the need for lubricant: no more cleaning/washing of parts before welding! The carbide inserts' ability to remove chips is 10x greater than those used traditionally with HSS tools (High-speed Steel).

FLEXIBILITY, PRODUCTIVITY

Implementation, setting/adjustment and beveling are quick and easy. Each machine's diameter range is very broad and does not require specific jaws. AXXAIR's frames are **scalable** for orbital cutting and welding.



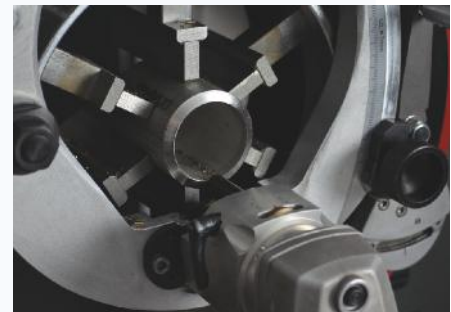
QUALITY

The surface created by carbide milling is clean and free of burrs and is, therefore, ready for welding.

Our process also includes a workpiece guide outside the tube, which takes account of "pipe" ovalisation defects. This ensures that the bevel is more uniform over the entire circumference.

PORTABILITY

Portable machines, which are easy to move and can be used both on site or in a workshop. Perfect preparation for thick tubes before welding with filler wire.



Please do not hesitate to contact us for all enquiries relating to orbital beveling technology.

We will be glad to share our know-how with you and to devise a solution that best meets your needs!





AXXAIR's orbital beveling

- V- or J-Bevel? -

AXXAIR

INNOVATIVE ORBITAL SOLUTIONS

There are two types of bevel, which depend on the manual or automatic welding process used: the V-bevel and the J-bevel (or "Tulip").

These names relate to the fact that, when assembled, the two prepared edges assume the shape of these letters.

In orbital welding, the two root faces of the bevelled parts are placed in contact with each other.

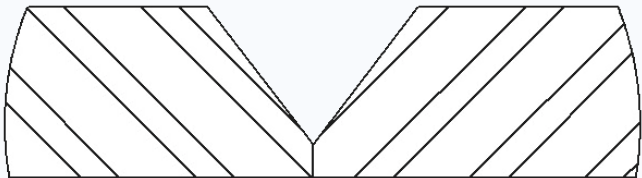
All that is required is a simple fusion of the two root faces and for the bevel to be subsequently filled with wire.

V-bevel

For manual TIG welding, a V-bevel is preferable, with or without a root face, depending on the manner in which the parts are married. It is called a V-bevel as, once the parts have been married, the resulting shape looks like the letter V.

The root face generally prevents the edges being distorted when the parts are handled, along with a collapse on the first pass (penetration).

For manual welding, the parts are married leaving a small gap, which specifically allows the wire to be inserted manually, including from inside the tube (penetration geometry). The bevel angles routinely used are 30, 37.5 and 45°.

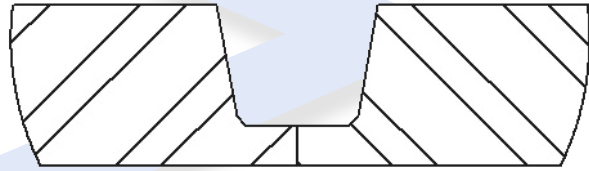


These angles are determined by the application, the thickness of the parts to be welded and the material used. We offer 3 milling heads for orbital V-bevels, each corresponding to one of these angles.



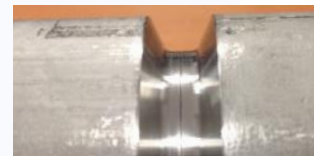
J-bevel (tulip)

This shape is essential for automated welding, especially for orbital welding.



The root face of this type of bevel enables a delicate "tube-tube" type assembly to be created; this generally allows for a single fusion penetration, which represents a better way of precisely controlling the penetration's geometry. This type of preparation also reduces the volume of metal required to fill the bevel.

The root face must be sufficiently long to allow a single fusion bead to be created, without overlapping onto the edges of the bevel: a root face thickness of 1.6 to 2 mm with a root face length of 2 to 2.5 mm. These adjustments are easily made and relate to the carbide milling head (unlike adjustment using HSS tools).



As the accessories (elbows, T unions, flanges, etc.) are generally prepared with V-bevels, many welds will need to be of the V-J type, which is difficult to achieve. Consequently, the quality of orbital welding accessories is generally a key criteria to be taken into consideration.



Contact us to find the perfect solutions for your needs!



GA 122 - 172 - 222 - 322



No tube deformation and no tube pollution

Concentric clamping



Stainless steel jaws

V-bevel or J-bevel without lubricant

Carbide technology, 10x faster than HSS inserts

Angles :

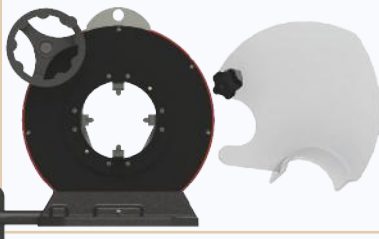
- J-Bevel: 10°
- V-Bevel: 30°, 37,5° and 45°



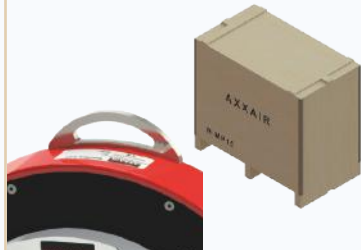
Perfect sealing against chips

All rotating parts are incorporated in the body

Plastic shield in the front



Easy handling and transportation



Continuous use

Anti-twist cable with bearings. Protects the electric cable from damage resulting from rotation around the tube.

Tool life
Rotation handle for controlled and continuous cutting speed

Tracking system
External profile tracking that takes into account the ovality of the tubes



Easy setting of the root face
Reading on a vernier



1550 W motor
Wide speed range: flexibility depending on the material

Global Process
Can be transformed into an orbital cutting and welding machine

| Opening capacity | |
|------------------|------------------------------------|
| 122 | ø15 - ø119mm ø5/8" - ø4,5 " |
| 172 | ø33 - ø173 mm ø1,3 - ø6,625 " |
| 222 | ø55 - ø228 mm ø2.35 to ø8,625 " |
| 322 | ø141 - ø328 mm ø5,5 to ø12,75 " |



GA 122 - 172 - 222 - 322
AXXAIR
 INNOVATIVE ORBITAL SOLUTIONS

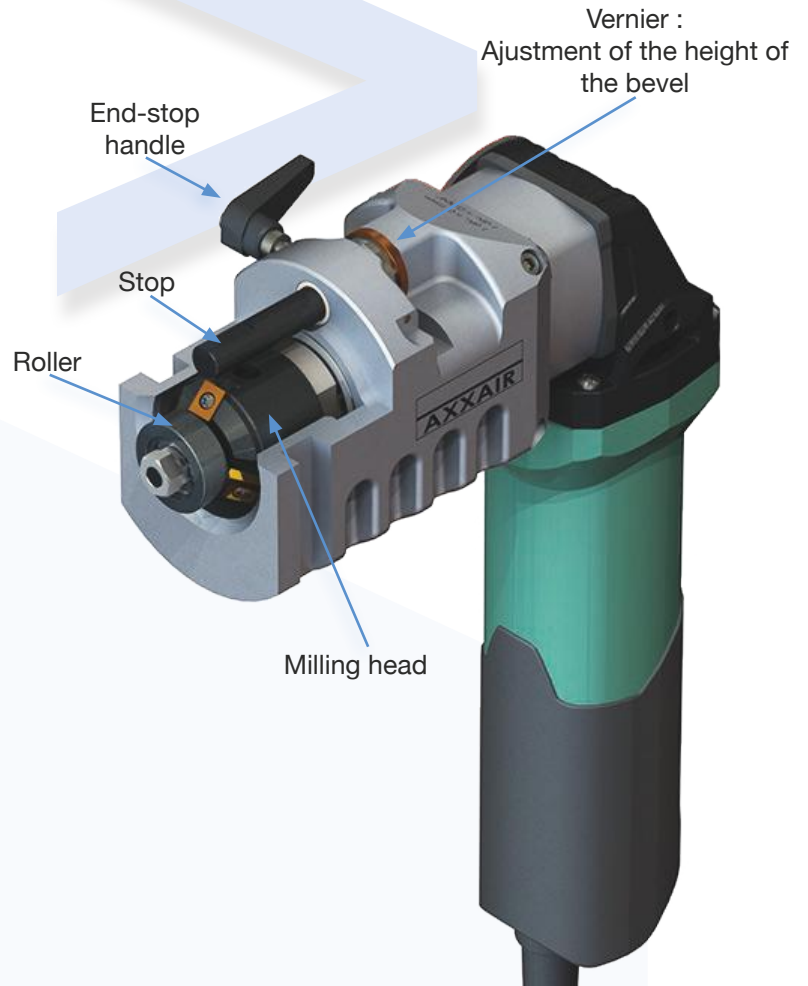
Technical specifications:

NEW

New motor: 1550 W, 120 V or 230 V

- Class 2 electric device. Double electrical isolation. None accessible metal part. Longer service life, more power, patented dust protection.
- Vibration level in accordance with standard EN 28662: <math><2.5\text{m/s}^2</math>, Protection class: IP 20
- Vario Tacho Constamatic (VTC) Full-wave Electronics with Thumbwheel: for working at customised speeds to suit the application material and speeds that remain constant, even under load.
6 speed variations: from 2050 to 7300 RPM
- 0V security: the motor does not restart alone after a power failure
- Mechanical protection of the gearbox, torque limiter integrated into the angular gearbox

All motors are supplied in their own individual cases, including the necessary tools

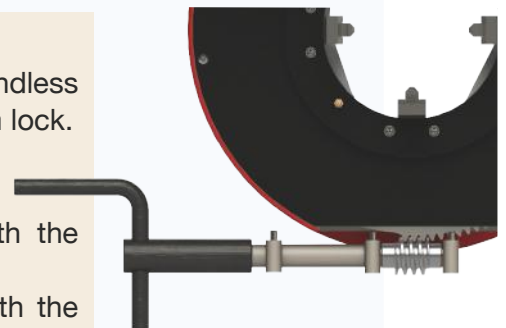


Robustness of the body:

- Effective clamping system with an endless screw engaging directly with the cam lock.

Easy maintenance and control:

- Lubrication of the inner parts with the grease nipples
- Quick access to the screw beneath the internal cowling


Join experience


GA 122 - 172 - 222 - 322



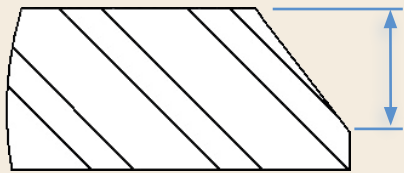
AXXAIR
INNOVATIVE ORBITAL SOLUTIONS

Technical specifications:

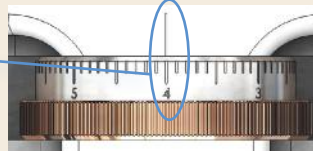
Easy setting of the root face:

Adjustment of the height of the bevel (V-Bevels) :

To adjust the height of the bevel, the stop needs to be moved. The wheel with the vernier must be turned in either direction to increase or decrease the height of the bevel.



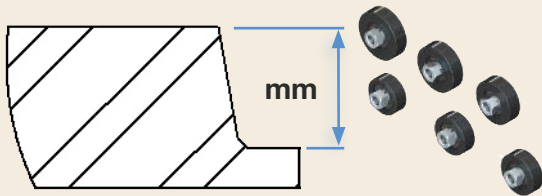
4 mm



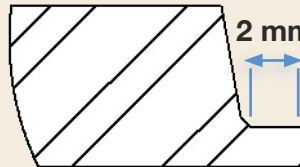
The vernier value is equal to the **bevel height**.

Adjustment of the length of the root face (J-Bevels) :

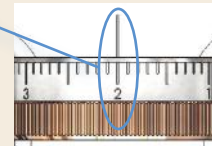
The height of the bevel is determined by the selection of the roller mounted on the milling head. Adjusting the stop allows the length of the root face at the end of the bevel to be changed.



mm

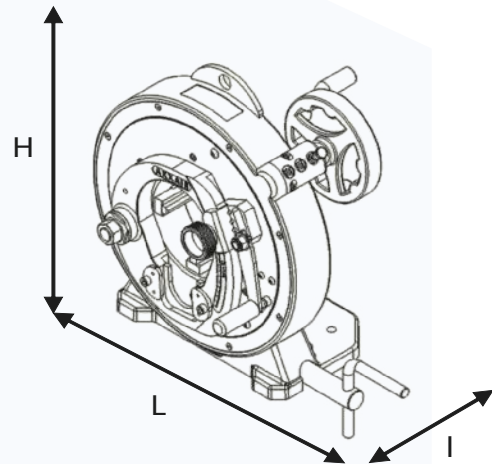


2 mm



The value of the vernier is equal to the **length of the root face**.

| Materials that can be machined by the machine | Hardness between : |
|--|--------------------|
| All types of steel | 500 and 800 Mpa |
| All types of alloys (copper / brass / bronze / aluminum) | 200 and 800 Mpa |



| Product Code Machine with a 120V motor | Product Code Machine with a 230V motor | Machine's jaw opening capacity in mm | | Net weight | Dimensions (HxLxW in mm) |
|---|---|--------------------------------------|----------------------------|------------|-----------------------------|
| | | With basic jaws | With extra jaws (included) | | |
| GA122-M1 | GA122-M2 | Ø29 - Ø 119 | Ø 15 - Ø99 | 42 kg | 443 x 541 x 304 |
| GA172-M1 | GA172-M2 | Ø74 - Ø 173 | Ø 33 - Ø116 | 49 kg | 493 x 566 x 304 |
| GA222-M1 | GA222-M2 | Ø128 - Ø 228 | Ø 55 - Ø155 | 57 kg | 548 x 594 x 304 |
| GA322-M1 | GA322-M2 | Ø230 - Ø 328 | Ø 141 - Ø239 | 71 kg | 649 x 644 x 304 |

Please contact us for large diameters and special adaptations



Join **experience**





Orbital Beveling - Accessories

AXXAIR

INNOVATIVE ORBITAL SOLUTIONS

Our support legs and stands have been designed to further facilitate beveling by ensuring that the machine is stable in different conditions: in a workshop or on site.

The great advantages of these products:

- lightness
- flexible handling
- easy to use



| Product Code | Description | Net Weight | Dimensions (in cm) |
|--------------|--------------|------------|--------------------|
| CCPS21 | Support legs | 10 kg | 103 x 32 x 11 |

Support legs for orbital beveling machines:

- storage box at the back
- optimum stability
- quick assembly and dismantling
- height adjustment with screws

✓ GA122

✓ GA172

✓ GA222

✓ GA322



| Product Code | Description | Net Weight | Dimensions (in cm) |
|--------------|-------------|------------|--------------------|
| CCSER1 | Stand | 10 kg | 60 x 26 x 10 |

Simple stand for supporting tubes with height adjustment:

- quick assembly and dismantling
- height adjustment

✓ GA122

✓ GA172

✓ GA222

✓ GA322



| Product Code | Description | Net Weight | Dimensions (in cm) |
|--------------|----------------------------------|------------|--------------------|
| CCSER2 | Stand with chrome steel bearings | 11 kg | 60 x 26 x 10 |

Stand with chrome steel bearings for supporting tubes with height adjustment:

- facilitates tube feeding after each cut
- quick assembly and dismantling
- height adjustment

✓ GA122

✓ GA172

✓ GA222

✓ GA322

**Join experience**



Orbital Beveling - Accessories

AXXAIR

INNOVATIVE ORBITAL SOLUTIONS

Our support benches help you to position and feed your tubes without the aid of stands. The height-adjustable table helps you easily and precisely set the height of your machine, for cutting and beveling tubes placed on the support bench.

The additional tube support bench allows you to position your longest tubes in a stable manner on all benches.



| Product Code | Description | Net Weight | Dimensions (in cm) |
|---|--------------------------------------|--|--------------------|
| CCBSB-X1 | Height-adjustable tube support bench | 57 kg | 184 x 95 x 51 |
| <u>Height-adjustable support bench, 1.5m</u> | | | |
| <ul style="list-style-type: none"> - stainless steel rollers - height adjustment handle - 1.5 m long | | <ul style="list-style-type: none"> - maximum load 350 kg uniformly distributed - min tube ø: 5 mm - max tube ø: 321 mm - compatible with machines 121 to 321 | |

✓ GA122

✓ GA172

✓ GA222

✓ GA322



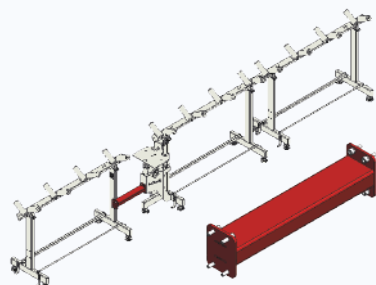
| Product Code | Description | Net weight | Dimensions (in cm) |
|--|--------------------------|---|--------------------|
| CCBSB-X2 | Additional support bench | 38 kg | 150 x 95 x 51 |
| <u>Additional tube support bench:</u> | | | |
| <ul style="list-style-type: none"> - stainless steel rollers - 1.5 m long - maximum load 350 kg uniformly distributed | | <ul style="list-style-type: none"> - min tube ø: 5 mm - max tube ø: 321 mm - compatible with machines 121 to 321 | |

✓ GA122

✓ GA172

✓ GA222

✓ GA322



| Product Code | Description | Net Weight | Dimensions (in mm) |
|--|----------------|------------|--------------------|
| CCBSB-B005 | Connecting bar | 3 kg | 100 x 80 x 402 |
| <u>Connecting bar for CCBSB-X1 and CCBSB- X2:</u> | | | |
| <ul style="list-style-type: none"> - Allows the height-adjustable table to be connected to a bench placed in front of the machine | | | |

✓ GA122

✓ GA172

✓ GA222

✓ GA322





Orbital Beveling - Accessories

AXXAIR

INNOVATIVE ORBITAL SOLUTIONS

Autoline electric rotation:

Measures and displays the cutting/beveling motor's power consumption

- enables the motor and cycle to be stopped in the event of overconsumption
- protects the motor and frees the operator from watching the machine
- detects whether the motor is straining and whether the blade is worn

Welding mode with prefab machine and SAXX power source : 4-button display (Start, Stop, Left, Right) with the addition of a power source connection cable

(Ref. SAEX-A02 for addition, more details in the "ORBITAL WELDING" section of this catalogue)

3.5 colour touch-screen allowing you to:

- enter the diameter and precisely adjust the feed speed in mm/min
- aid adjustment with a suggested motor speed and feed speed based on the type of material and the blade used
- perform quick and easy configuration
- display the cutting/beveling motor's consumption
- display in English, French or German
- choose the unit of measure: mm or inch

This rotation is compatible with our previous **121, 171, 221, 321, 421, 521 and 721** models.

The previous SAEP-00/000 rotation cannot be fitted to our new 122, 172, 222 and 322 models.



| Product Code | Description | Net Weight | Dimensions (in mm) |
|--------------|----------------------------|------------|--------------------|
| SAEX-00 | Autoline electric rotation | 6.3 kg | 320 x 261x 193 |

Autoline electric inverter for GA122 to 322:

- 110 V to 230 V
- even rotation
- easy to use
- precise adjustment

✓ GA122

✓ GA172

✓ GA222

✓ GA322





Orbital Beveling - Accessories

AXXAIR

INNOVATIVE ORBITAL SOLUTIONS

This milling head is a tool holder. It creates the shape of the final bevel based on the initial choice, with the necessary angulation.

The milling head can be easily changed for different bevel angles.



| Product Code | Description | Net Weight |
|--------------|---|------------|
| GV-300 | Kit of milling head, roller, stop and vernier | 1 kg |

Kit for 30° V bevel:

- Supplied with 3 fitted inserts

This milling head allows you to remove a maximum of 8 mm of the wall thickness, excluding the root face

✓ GA122

✓ GA172

✓ GA222

✓ GA322



| Product Code | Description | Net Weight |
|--------------|---|------------|
| GV-375 | Kit of milling head, roller, stop and vernier | 1 kg |

Kit for 37,5° V bevel:

- Supplied with 3 fitted inserts

This milling head allows you to remove a maximum of 7 mm of the wall thickness, excluding the root face

✓ GA122

✓ GA172

✓ GA222

✓ GA322



| Product Code | Description | Net Weight |
|--------------|---|------------|
| GV-450 | Kit of milling head, roller, stop and vernier | 1 kg |

Kit for 45° V bevel:

- Supplied with 3 fitted inserts

This milling head allows you to remove a maximum of 6.5 mm of the wall thickness, excluding the root face

✓ GA122

✓ GA172

✓ GA222

✓ GA322



| Product Code | Description | Net Weight |
|--------------|--|------------|
| GJ-100 | Kit of milling head, 6 rollers, stop and vernier | 1 kg |

Kit for 10° J bevel:

- Supplied with 6 fitted inserts

This milling head allows you to remove a maximum of 8 mm of the wall thickness, excluding the root face

This form is indispensable for automated welding processes and especially for orbital welding.

✓ GA122

✓ GA172

✓ GA222

✓ GA322



AXXAIR

INNOVATIVE ORBITAL SOLUTIONS

Accessories (electric clamping)

NEW



You realize **important series** in your company and want to be more effective during your projects? Our electric clamping is the ideal answer for the preparation and / or welding of your tubes.

The electric clamping makes it possible to carry out a **repetitive and constant force tightening** on tubes with identical diameters and thicknesses.

The **clamping force is adjustable**, it prevents the tubes from being deformed or marked.

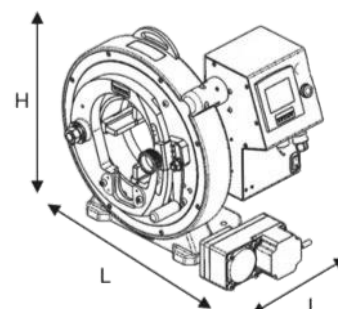
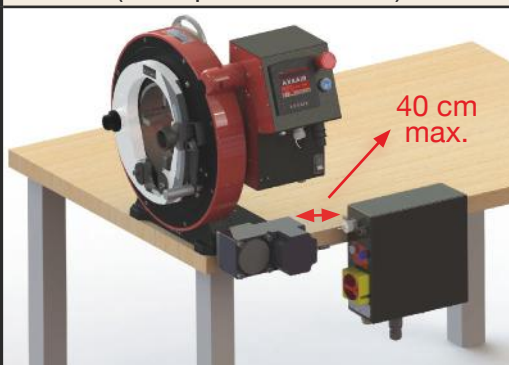
Technical specifications:

- 24Vdc brushless motor, motor torque: 34N.m
- Tightening force on the tube: 850 kg maximum, adjustable from 15 to 100%
- Clamping speed: 86 mm / min (diameter)
- The electric clamping is sold with the body frame and the automatic rotation

Fixation on an AXXAIR support bench



Fixation on an other support (example: workbench)



| Product code | Body frame, automatic rotation and electric clamping Machine's jaw opening capacity in mm | | Net weight | Dimensions (HxLxI in mm) |
|--------------|--|----------------------------|------------|--------------------------|
| | With basic jaws | With extra jaws (included) | | |
| 122-AU | Ø29 - Ø119 | Ø5 - Ø99 | 51 kg | 470 x 498 x 359 |
| 172-AU | Ø74 - Ø173 | Ø16 - Ø116 | 58 kg | 520 x 530 x 359 |
| 222-AU | Ø128 - Ø228 | Ø55 - Ø155 | 66 kg | 575 x 575 x 359 |
| 322-AU | Ø230 - Ø328 | Ø141 - Ø239 | 80 kg | 675 x 662 x 359 |

Caution: Remember to order one or more motors (cutting, bevelling or welding torch) and the consumables needed with the sets listed above.



Join **experience**





Orbital Beveling - Consumables

AXXAIR

INNOVATIVE ORBITAL SOLUTIONS

Our carbide inserts provide an operating speed that is 10x that achieved with an HSS tool.

Our carbide inserts create an even bevel with a clean surface and no burrs.

It does not alter the nature of the material. There is less wear on the insert, thanks to the cleanness of the cut.



| Product Code | Description | Net Weight |
|--------------|---------------------------------|------------|
| PC30-08-B02 | Titanium coated carbide inserts | 70 g |

Carbide inserts for orbital beveling (box of 10), usable with:

- low rotation speeds on the following materials: plastic, aluminum and copper types: PVC, aluminum T6, copper / nickel-plated, bronze
- high rotation speeds on carbon and stainless steels: 304 / 304L / 316L and A106 steel

- Usable with all AXXAIR milling heads
- Inserts usable on **4 sides**
- Always change all inserts at the same time

✓ GA122

✓ GA172

✓ GA222

✓ GA322

NEW



| Product Code | Description | Net Weight |
|--------------|--|------------|
| PC30-08-B03 | Micrograin carbide inserts, coated with a high wear resistance treatment | 70 g |

Carbide inserts for orbital beveling (box of 10), usable with:

Depending on the material, the tool rotation speeds must be adapted and the use of automatic rotation is recommended.

- Recommended for high alloyed stainless steels: Duplex, inconel, super-duplex (316TIN / C-22 / C-4/625)

- Usable with all AXXAIR milling heads
- Inserts usable on **4 sides**
- Always change all inserts at the same time

✓ GA122

✓ GA172

✓ GA222

✓ GA322



| Product Code | Description | Net Weight |
|--------------|----------------------|------------|
| KS30 | Insert locking screw | 1g |

Locking screw for carbide inserts

✓ GA122

✓ GA172

✓ GA222

✓ GA322



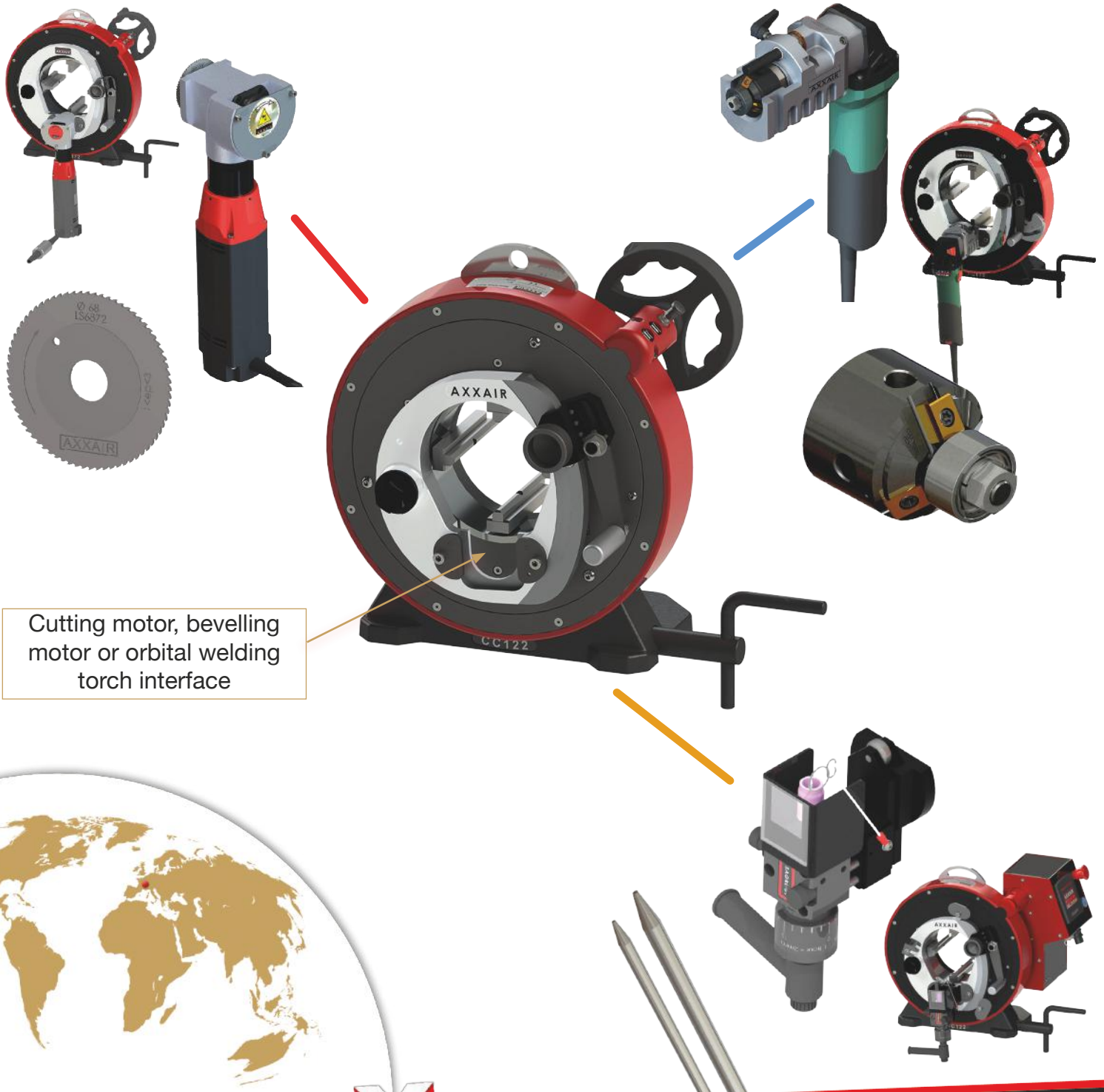
1 machine - 3 applications

The AXXAIR Group was the first to offer a triple and exclusive solution, from preparation to orbital welding:

the global process

For more than 20 years, a single machine frame (122, 172, 222 and 322) has enabled three operations to be carried out:

Cutting, bevelling and orbital welding



Cutting motor, bevelling motor or orbital welding torch interface

1 machine - 3 applications



| Product Code | Description | Net weight |
|---|------------------------|------------|
| FS xx / MOPD | Cutting motor | 5 kg |
| Low-speed / high-speed / pneumatic motor with dual output (uptake): | | |
| 120V | Low-speed motor: FS15 | 122 |
| | High-speed motor: FS19 | |
| 230V | Low-speed motor: FS25 | 222 |
| | High-speed motor: FS29 | |
| Pneumatic | MOPD | 322 |

To use this motor you will need to order: suitable cutting blades for the tube thickness you want to cut and, if necessary, lubricant.

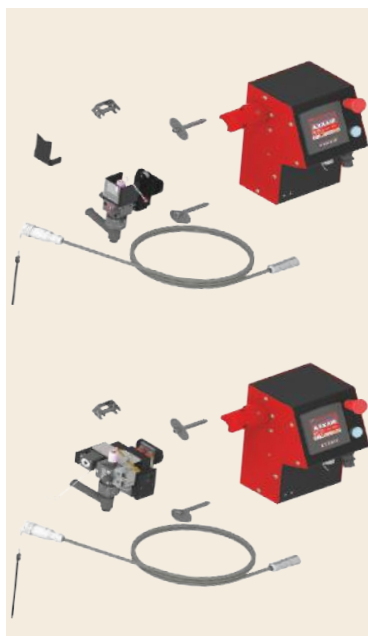
All information and relevant product codes appear in the orbital cutting accessories and consumables section of this catalogue.



| Product Code | Description | Net Weight | | | |
|--|--------------------|------------|------|--------------|-------|
| GA10 - x - xx | Beveling motor kit | 5 kg | | | |
| 120V / 230V beveling motor supplied with a chip shield and a workpiece guide tailored to the frame of your cutting / prefab welding machine: | | | | | |
| 120V | Product Code | Frame | 230V | Product Code | Frame |
| | GA10-M1-122 | 122 | | GA10-M2-122 | 122 |
| | GA10-M1-172 | 172 | | GA10-M2-172 | 172 |
| | GA10-M1-222 | 222 | | GA10-M2-222 | 222 |
| | GA10-M1-322 | 322 | | GA10-M2-322 | 322 |

To use this motor and bevel your tubes you will need to order: one or more milling heads and carbide inserts.

All information and relevant product codes appear in the orbital beveling accessories and consumables section of this catalogue.



| Product Code | Description | Net Weight | |
|--|-----------------------|---------------------------------|---|
| SX - KIT x | Torch kit | depending on the chosen product | |
| KIT for upgrading a CC/GA to an SX Air / Water / AVC+OSC torch | | | |
| Cooling | Product Code | Frame | To use this KIT and to prefab weld, you will need to order: a suitable AXXAIR welding power supply for the tubes you want to weld. All information and relevant product codes appear in the orbital welding section of this catalogue. |
| AIR | SX-2KITA | 122 | |
| | SX-2KITE | 172 | |
| EAU | SX-2KITNAOF (AVC/OSC) | 222 | |
| | | 322 | |
| If you have acquired the electrical clamping (xx2-AU), please order the references below, they are delivered without automatic rotation: | | | |
| AIR | SX-3KITA | 122 | |
| EAU | SX-3KITE | 172 | |
| | SX-3KITNAOF (AVC/OSC) | 222 | |



Orbital welding (Prefabrication)

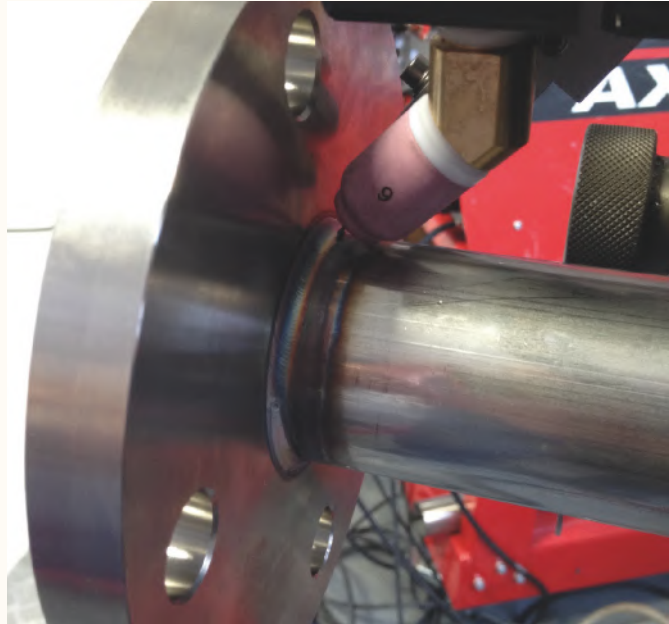
AXXAIR

INNOVATIVE ORBITAL SOLUTIONS

Orbital welding involves rotating a Tungsten electrode around a tube to weld it to other tubes or accessories.

Our programme incorporates a unique and atypical orbital welding machine for so-called "prefab" because it cannot be brought to the tube, it is the tube that is brought to the machine.

It is an axial loading machine which involves being able to pull out the tube as well as the welded accessory.



These machines that use standard cutting and bevelling frames have the advantage of being very robust and easy to use.

In fact, the SX range is mainly intended for workshop or building site prefabrication use. These machines are also used to carry out repeatable production welding on suitable elements.

Our machines can all be equipped with either an air-cooled torch or a water-cooled torch, with or without filler metal.

FLEXIBILITY, PRODUCTIVITY

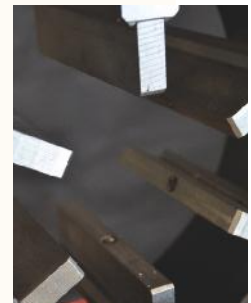
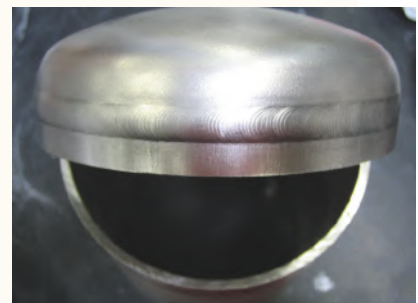
Welding with a water or air cooled torch with or without filler metal. It allows production of medium to large series of welding sub-assemblies. The diameter range of each machine is very wide and does not require specific jaws.

QUALITY AND REPEATABILITY

TIG welding without tube distortion (multi-contact concentric clamping). Mechanical or motorised tracking and axial adjustment optimize the quality of your welds.

EASY TO USE

Robust and intuitive, it is adapted to any operator profile.



Please do not hesitate to contact us for all enquiries relating to orbital welding technology.

We will be glad to share our know-how with you and to devise a solution that best meets your needs!



Join **experience**



SX122 - 172 - 222 - 322 (simple wire)


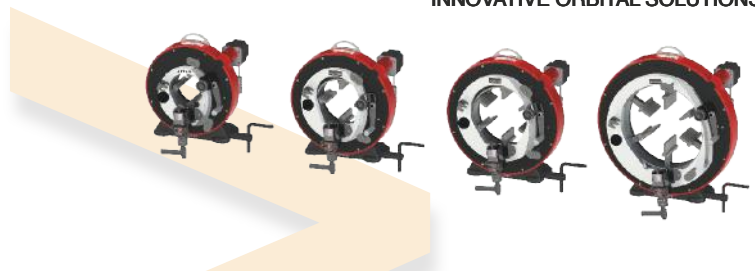
AXXAIR
INNOVATIVE ORBITAL SOLUTIONS

No tube deformation
Concentric clamping



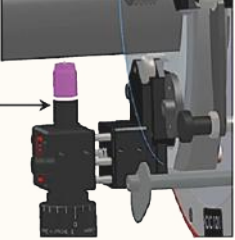
Basic and extra stainless steel jaws: no pollution of stainless steel tubes

Water Cooled





Automatic rotation
Connected to the SAXX welding power sources


Accurate positioning
Axial adjustment of the electrode position: facilitates location of the parts to be welded
Adjustment of the electrode's axial position : +/- 5 mm




Constant distance: electrode-tube
Mechanical tracking of tube ovalization from the outside.



Micrometric adjustment of the height of the arc
Accuracy of adjustment without specific tooling



Easy handling and transportation



Compatible with the SAXX power sources



| Opening capacity | |
|------------------|-------------------------------------|
| 122 | ø12 - ø119 mm 0.25" - 4.5 " |
| 172 | ø16 - ø173 mm 0.625" - 6.625 " |
| 222 | ø55 - ø228 mm 2.375" - 8.625 " |
| 322 | ø141 - ø328 mm 5.563" - 12.750 " |



SX122 - 172 - 222 - 322 (simple wire)



Technical characteristics:

Machines for TIG orbital prefab welding, water cooled.

For optimum use, the ambient temperature must be between 0 °C and + 40 °C.

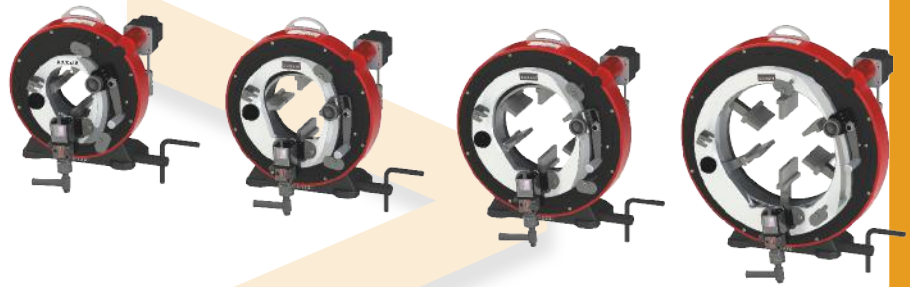
Compatible with AXXAIR type SAXX welding generators, we have an automatic parameter calculation mode.

The generator will offer you parameters adapted to the characteristics of the tubes / accessories to be welded.

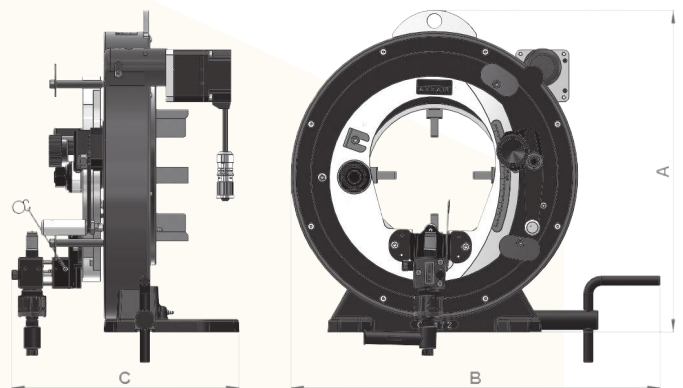
The machine can be supplemented by a wire feed system. For details, please refer to accessories.

A welding generator with liquid cooling system must be used when welding using these weld module. Cf welding generator characteristics

For welding with an AVC / OSC system please refer to following pages of this catalogue in order to choose a machine already provided with this system.



| Model | Operating factor of 100% |
|------------------|--------------------------|
| SX-xx2-E (WATER) | 200 A. |



| | Product Code | Machine's jaw opening capacity in mm | | Net weight | Dimensions (AxBxC in mm) |
|------------------|--------------|--------------------------------------|----------------------------|------------|--------------------------|
| | | With basic jaws | With extra jaws (included) | | |
| Water cooled EAU | SX122-E | Ø29 - Ø119 | Ø12 - Ø99 | 45 kg | 446 x 541 x 350 |
| | SX172-E | Ø74 - Ø173 | Ø16 - Ø116 | 52 kg | 493 x 566 x 350 |
| | SX222-E | Ø128 - Ø228 | Ø55 - Ø155 | 60 kg | 548 x 594 x 350 |
| | SX322-E | Ø230 - Ø328 | Ø141 - Ø239 | 73 kg | 649 x 644 x 350 |



AXXAIR's orbital welding

Sweep Multi-pass TIG welding

- AVC/OSC system -

AXXAIR

INNOVATIVE ORBITAL SOLUTIONS

Motorised voltage control: AVC

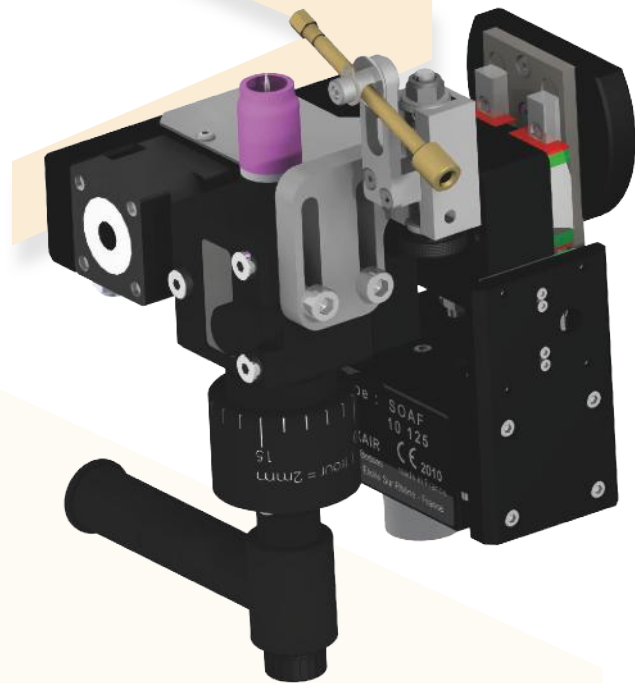
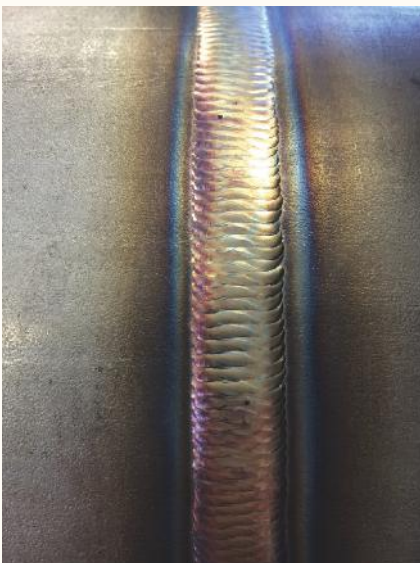
Motorised Arc Voltage Control is often abbreviated to AVC. Arc voltage is directly linked to the distance between the tube to be welded and the electrode. In other words, this option ensures the correct tube-electrode distance is maintained electronically during welding.

AVC can indeed be of huge benefit, especially in mechanised welding, and the more sensors there are to guide the machine, the less user intervention is required.

The two most frequent applications:

- When you do not wish to measure the external diameter physically using a feeler probe; AVC requires no contact with the tube and the sensor is more accurate and responsive than with physical tracking.

- When wire welding and the deposition rate beneath the electrode is not fully controlled, this can obviously affect the arc length. In this case, AVC means you never go near the soldering bath.



Fusion+OSC+wire:

This welding method combines AVC movement with oscillation of the torch and wire. This method is used for multi-pass welding of high thickness materials.

Torch oscillation is where the electrode is swung left and right in a linear motion so that each side of the joint can be kept liquid as welding progresses.

Oscillation brings an improvement in the number of passes, and therefore significantly improves productivity.

This system, when combined with AVC, is the only effective way of filling a tulip joint in multi-pass TIG welding.

These systems are available on prefabrication machines and open heads.



SX122 - 172 - 222 - 322 (AVC/OSC)


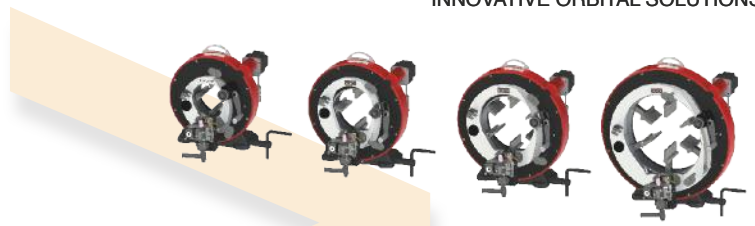


No tube deformation
Concentric clamping



Basic and extra **stainless steel** jaws: no pollution of stainless steel tubes

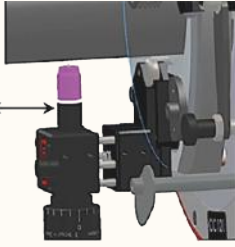
Water Cooled

Automatic rotation
Connected to the SAXX welding power sources

Control of the wire
regulation of the wire by the SAXX power source

Multi-pass welding
Mortorised axial sweep (OSC)
Movement of the electrode's axial position: +/- 10 mm



Constant distance: electrode-tube
Motorised setting and control of the distance tube-electrode (AVC)
regulates the arc voltage, the distance between the electrode and the tube

Easy handling and transportation



AVC/OSC system
Allows to weld tubes with up to 12.7 mm wall thickness

Compatible with the 210 and 300 SAXX power sources



| Opening capacity | |
|------------------|-------------------------------------|
| 122 | ø12 - ø119 mm 0.25" - 4.5 " |
| 172 | ø16 - ø173 mm 0.625" - 6.625 " |
| 222 | ø55 - ø228 mm 2.375" - 8.625 " |
| 322 | ø141 - ø328 mm 5.563" - 12.750 " |



SX122 - 172 - 222 - 322 (AVC/OSC)



Technical characteristics:

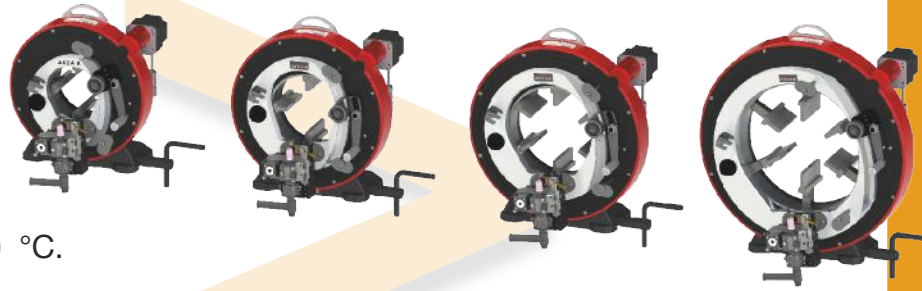
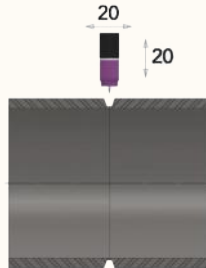
Orbital TIG welding machine for prefabrication with AVC/OSC system, water cooled.

For optimum use, the ambient temperature must be between 0 °C and + 40 °C.

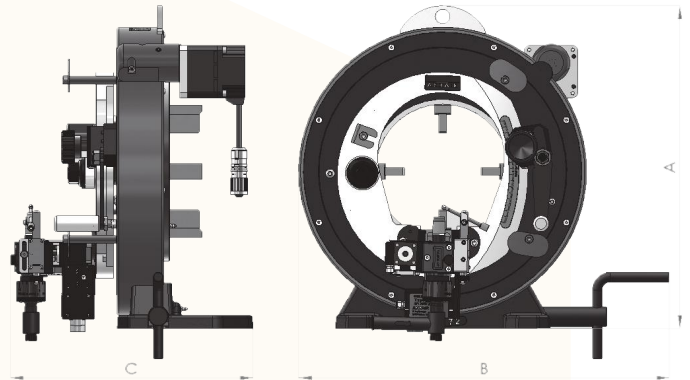
These machines are intended for orbital TIG welding. This range of products may be used for tube-to-tube, tube-to-elbow, tube-to-ferrule and T-joint welding, as well as SMS connectors and other work pieces.

Compatible with AXXAIR type SAXX-210 and SAXX-300 welding generators, we have an automatic parameter calculation mode. The generator will offer you parameters adapted to the characteristics of the tubes / accessories to be welded.

Oscillation range: 20 mm,
AVC range: 20 mm
Max speed: 15 mm/s



| Model | Operating factor of 100% |
|---------------------|--------------------------|
| SX-xx2-NAOF (WATER) | 200 A |



| | Product Code | Machine's jaw opening capacity in mm | | Net weight | Dimensions (AxBxC in mm) |
|--------------|--------------|--------------------------------------|----------------------------|------------|--------------------------|
| | | With basic jaws | With extra jaws (included) | | |
| Water Cooled | SX122-NAOF | Ø29 - Ø119 | Ø12 - Ø99 | 46 kg | 446 x 541 x 346-371 |
| | SX172-NAOF | Ø74 - Ø173 | Ø16 - Ø116 | 53 kg | 493 x 566 x 346-371 |
| | SX222-NAOF | Ø128 - Ø228 | Ø55 - Ø155 | 61 kg | 548 x 594 x 346-371 |
| | SX322-NAOF | Ø230 - Ø328 | Ø141 - Ø239 | 74 kg | 649 x 644 x 346-371 |



Join **experience**



Orbital welding (Prefabrication) - Accessories**AXXAIR**

INNOVATIVE ORBITAL SOLUTIONS

Our support legs and stands have been designed to further facilitate welding by ensuring that the machine is stable in varied conditions: in the workshop or on site.

The great advantages of these products are:

- lightness
- flexible handling
- ease of use



| Product Code | Description | Net weight | Dimensions (in cm) |
|--------------|--------------|------------|--------------------|
| CCPS21 | Support legs | 10 kg | 103 x 32 x 11 |

Support legs for orbital welding machine:

- quick assembly and dismantling
- height adjustment with screws

✓ SX122-E ✓ SX172-E ✓ SX222-E ✓ SX322-E ✓ SX122-NAOF ✓ SX172-NAOF ✓ SX222-NAOF ✓ SX322-NAOF



| Product Code | Description | Net weight | Dimensions (in cm) |
|--------------|-------------|------------|--------------------|
| CCSER1 | Stand | 10 kg | 60 x 26 x 10 |

Simple stand for supporting tubes with height adjustment:

- quick assembly and dismantling
- height adjustment

✓ SX122-E ✓ SX172-E ✓ SX222-E ✓ SX322-E ✓ SX122-NAOF ✓ SX172-NAOF ✓ SX222-NAOF ✓ SX322-NAOF



| Product Code | Description | Net weight | Dimensions (in cm) |
|--------------|------------------------------------|------------|--------------------|
| CCSER2 | Stand (with chrome steel bearings) | 11 kg | 60 x 26 x 10 |

Stand with chrome steel bearings for supporting tubes with height adjustment:

- quick assembly and dismantling
- height adjustment

✓ SX122-E ✓ SX172-E ✓ SX222-E ✓ SX322-E ✓ SX122-NAOF ✓ SX172-NAOF ✓ SX222-NAOF ✓ SX322-NAOF



Join **experience**



Orbital welding (Prefabrication) - Accessories

AXXAIR

INNOVATIVE ORBITAL SOLUTIONS

Our support benches help you to position and feed your tubes without the aid of stands. The height-adjustable table helps you easily and precisely set the height of your machine, for welding tubes placed on the support bench.

The additional tube support bench allows you to position your longest tubes in a stable manner on all benches. We also recommend that you support the cut section in front of your machine using one or more additional benches, depending on the length of the tube.



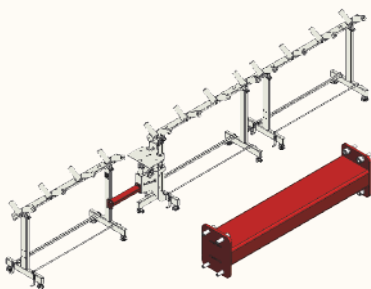
| Product Code | Description | Net weight | Dimensions (in cm) |
|---|-------------------------------------|------------|--------------------|
| CCBSB-X1 | Heightadjustable tube support bench | 57 kg | 184 x 95 x 51 |
| <u>Height-adjustable support bench, 1.5m:</u> - stainless steel rollers - height adjustment handle - maximum load 350 kg - min tube ø: 5 mm - max tube ø: 321 mm | | | |

- ✓ SX122-E
- ✓ SX172-E
- ✓ SX222-E
- ✓ SX322-E
- ✓ SX122-NAOF
- ✓ SX172-NAOF
- ✓ SX222-NAOF
- ✓ SX322-NAOF



| Product Code | Description | Net weight | Dimensions (in cm) |
|---|--------------------------|------------|--------------------|
| CCBSB-X2 | Additional support bench | 38 kg | 150 x 95 x 51 |
| <u>Additional tube support bench:</u> - stainless steel rollers - 1.5 m long - maximum load 350 kg - min tube ø: 5 mm - max tube ø: 321 mm | | | |

- ✓ SX122-E
- ✓ SX172-E
- ✓ SX222-E
- ✓ SX322-E
- ✓ SX122-NAOF
- ✓ SX172-NAOF
- ✓ SX222-NAOF
- ✓ SX322-NAOF



| Product Code | Description | Net weight | Dimensions (in mm) |
|--|----------------|------------|--------------------|
| CCBSB-B005 | Connecting bar | 3 kg | 100 x 80 x 402 |
| <u>Connecting bar for CCBSB-X1 and CCBSB-X2:</u> - Allows the height-adjustable table to be connected to a bench placed in front of the machine | | | |

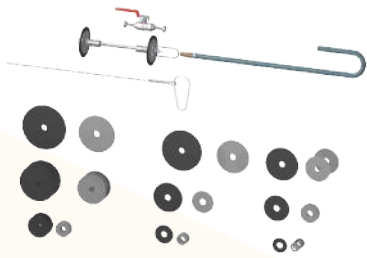
- ✓ SX122-E
- ✓ SX172-E
- ✓ SX222-E
- ✓ SX322-E
- ✓ SX122-NAOF
- ✓ SX172-NAOF
- ✓ SX222-NAOF
- ✓ SX322-NAOF



Join **experience**



Orbital welding (Prefabrication) - Accessories

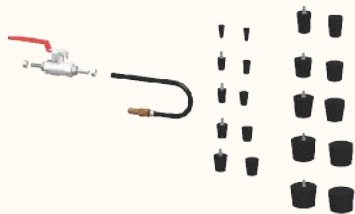


| Product Code | Description | Net weight | Packaging (in cm) |
|--------------|--------------------|------------|-------------------|
| SKIF-01 | Gas protection KIT | 4.5 kg | 35 x 30 x 9.5 |

Gas membrane protection KIT for tubes Ø 40 to 120 mm
 - consists of: 9 sets of membranes with washers, 1 gas pipe 6 m,
 1 metal cable, 1 ¼ turn gas valve, 1 carabiner

*Inerting the tubes during welding allows more gas savings
 as we only inert the area to be welded.*

| | | | | | | | |
|-----------|-----------|-----------|-----------|--------------|--------------|--------------|--------------|
| ✓ SX122-E | ✓ SX172-E | ✓ SX222-E | ✓ SX322-E | ✓ SX122-NAOF | ✓ SX172-NAOF | ✓ SX222-NAOF | ✓ SX322-NAOF |
|-----------|-----------|-----------|-----------|--------------|--------------|--------------|--------------|



| Product Code | Description | Net weight | Packaging (in cm) |
|--------------|--------------------|------------|-------------------|
| SKIB-01 | Gas protection KIT | 1.7 kg | 35 x 30 x 9.5 |

Gas plug protection KIT for tubes Ø 6 to 41 mm
 - Consists of: 10 sets of perforated plugs, 1 gas inlet connector,
 1 hose Ø 4/6 length 5 metres

Facilitates and accelerates inerting. Avoids the use of adhesive paper.

| | | | | | | | |
|-----------|-----------|-----------|-----------|--------------|--------------|--------------|--------------|
| ✓ SX122-E | ✓ SX172-E | ✓ SX222-E | ✓ SX322-E | ✓ SX122-NAOF | ✓ SX172-NAOF | ✓ SX222-NAOF | ✓ SX322-NAOF |
|-----------|-----------|-----------|-----------|--------------|--------------|--------------|--------------|



| Product Code | Description | Net weight | Dimensions (in mm) |
|--------------|-------------|------------|--------------------|
| SADFP-02 | Wire guide | 0.05 kg | 51 x 90 x 65 |

Wire guide for SX

| | | | | | | | |
|-----------|-----------|-----------|-----------|------------|------------|------------|------------|
| ✓ SX122-E | ✓ SX172-E | ✓ SX222-E | ✓ SX322-E | SX122-NAOF | SX172-NAOF | SX222-NAOF | SX322-NAOF |
|-----------|-----------|-----------|-----------|------------|------------|------------|------------|



| Product Code | Description | Net weight | Dimensions (in cm) |
|--------------|----------------|------------|--------------------|
| SADF2X | Wire dispenser | 12 kg | 59.7 x 38.4 x 24 |

Wire Dispenser for SAXX-200, duct 5 m max:
 - Supplied with the SAXX power supply-connection cable and Teflon duct
 to guide the wire
 - Drive pressure adjusted by adjustable spring, with handle.

| | | | | | | | |
|-----------|-----------|-----------|-----------|--------------|--------------|--------------|--------------|
| ✓ SX122-E | ✓ SX172-E | ✓ SX222-E | ✓ SX322-E | ✓ SX122-NAOF | ✓ SX172-NAOF | ✓ SX222-NAOF | ✓ SX322-NAOF |
|-----------|-----------|-----------|-----------|--------------|--------------|--------------|--------------|



Orbital welding (Prefabrication) - Accessories



| Product Code | Description | Net weight | Plastic box (in cm) |
|-------------------------------|----------------|------------|---------------------|
| SKTDI-30 | Inclined torch | 0.3 kg | 12 x 17.5 x 4 |
| <u>30° inclined torch kit</u> | | | |

| | | | | | | | |
|-----------|-----------|-----------|-----------|------------|------------|------------|------------|
| ✓ SX122-E | ✓ SX172-E | ✓ SX222-E | ✓ SX322-E | SX122-NAOF | SX172-NAOF | SX222-NAOF | SX322-NAOF |
|-----------|-----------|-----------|-----------|------------|------------|------------|------------|



| Product Code | Description | Net weight | Plastic box (in cm) |
|-------------------------------|----------------|------------|---------------------|
| SKTDI-45 | Inclined torch | 0.3 kg | 12 x 17.5 x 4 |
| <u>45° inclined torch kit</u> | | | |

| | | | | | | | |
|-----------|-----------|-----------|-----------|------------|------------|------------|------------|
| ✓ SX122-E | ✓ SX172-E | ✓ SX222-E | ✓ SX322-E | SX122-NAOF | SX172-NAOF | SX222-NAOF | SX322-NAOF |
|-----------|-----------|-----------|-----------|------------|------------|------------|------------|



AXXAIR

INNOVATIVE ORBITAL SOLUTIONS

Accessories (electric clamping)

NEW



You realize **important series** in your company and want to be more effective during your projects? Our electric clamping is the ideal answer for the preparation and / or welding of your tubes.

The electric clamping makes it possible to carry out a **repetitive and constant force tightening** on tubes with identical diameters and thicknesses.

The **clamping force is adjustable**, it prevents the tubes from being deformed or marked.

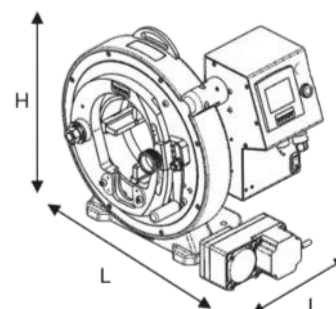
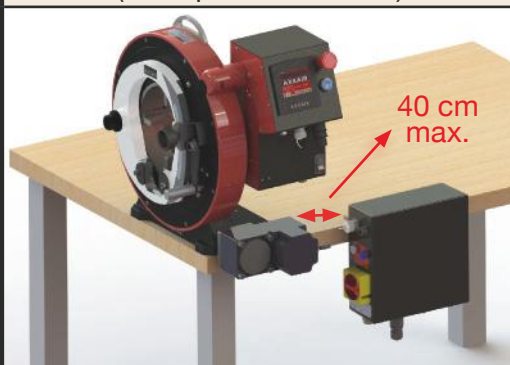
Technical specifications:

- 24Vdc brushless motor, motor torque: 34N.m
- Tightening force on the tube: 850 kg maximum, adjustable from 15 to 100%
- Clamping speed: 86 mm / min (diameter)
- The electric clamping is sold with the body frame and the automatic rotation

Fixation on an AXXAIR support bench



Fixation on an other support (example: workbench)



45

| Product code | Body frame, automatic rotation and electric clamping Machine's jaw opening capacity in mm | | Net weight | Dimensions (HxLxl in mm) |
|--------------|--|----------------------------|------------|--------------------------|
| | With basic jaws | With extra jaws (included) | | |
| 122-AU | Ø29 - Ø119 | Ø5 - Ø99 | 51 kg | 470 x 498 x 359 |
| 172-AU | Ø74 - Ø173 | Ø16 - Ø116 | 58 kg | 520 x 530 x 359 |
| 222-AU | Ø128 - Ø228 | Ø55 - Ø155 | 66 kg | 575 x 575 x 359 |
| 322-AU | Ø230 - Ø328 | Ø141 - Ø239 | 80 kg | 675 x 662 x 359 |

Caution: Remember to order one or more motors (cutting, bevelling or welding torch) and the consumables needed with the sets listed above.



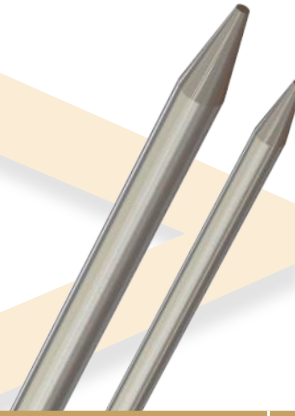
Join **experience**



Orbital welding (Prefabrication) - Consumables

Our electrodes are specifically sharpened at 20° with a flat.

This increases the life of the electrodes.



| Product Code | Description | Net weight | Plastic box (cm) |
|--|-------------|------------|------------------|
| SCE16-50 | Electrodes | 0.02 kg | 5.5 x 4.5 x 1 |
| Electrode diameter 1.6 mm , length 50mm | | | |
| - Box of 10 electrodes | | | |

| | | | | | | | |
|-----------|-----------|-----------|-----------|--------------|--------------|--------------|--------------|
| ✓ SX122-E | ✓ SX172-E | ✓ SX222-E | ✓ SX322-E | ✓ SX122-NAOF | ✓ SX172-NAOF | ✓ SX222-NAOF | ✓ SX322-NAOF |
|-----------|-----------|-----------|-----------|--------------|--------------|--------------|--------------|



| Product Code | Description | Net weight | Plastic box (cm) |
|--|-------------|------------|------------------|
| SCE24-50 | Electrodes | 0.05 kg | 5.5 x 4.5 x 1 |
| Electrode diameter 2.4 mm , length 50mm | | | |
| - Box of 10 electrodes | | | |

| | | | | | | | |
|-----------|-----------|-----------|-----------|--------------|--------------|--------------|--------------|
| ✓ SX122-E | ✓ SX172-E | ✓ SX222-E | ✓ SX322-E | ✓ SX122-NAOF | ✓ SX172-NAOF | ✓ SX222-NAOF | ✓ SX322-NAOF |
|-----------|-----------|-----------|-----------|--------------|--------------|--------------|--------------|



| Product Code | Description | Net weight | Plastic box (cm) |
|--|-------------------|-------------------------|------------------|
| SKTD-xx | Replacement torch | 0.3 kg | 12 x 17.5 x 4 |
| Replacement kit for straight torch Ø 1.6 mm or Ø 2.4 | | | |
| - consists of: 5 nozzles, 2 plugs 9/20, 2 long electrode clamps, 10 electrodes (Ø 1.6 mm or Ø 2.4) and 2 mesh diffusers | | | |
| Ø electrode | | Kit Product Code | |
| 1.6 mm | | SKTD-01 | |
| 2.4 mm | | SKTD-02 | |

| | | | | | | | |
|-----------|-----------|-----------|-----------|--------------|--------------|--------------|--------------|
| ✓ SX122-E | ✓ SX172-E | ✓ SX222-E | ✓ SX322-E | ✓ SX122-NAOF | ✓ SX172-NAOF | ✓ SX222-NAOF | ✓ SX322-NAOF |
|-----------|-----------|-----------|-----------|--------------|--------------|--------------|--------------|





1 machine - 3 applications

The AXXAIR Group was the first to offer a triple and exclusive solution, from preparation to orbital welding:

global process

For more than 20 years, a single machine frame (122, 172, 222 and 322) has enabled three operations to be carried out:

cutting, bevelling and orbital welding

BUT CAUTION,

The SX-xx2 machine is dedicated to prefab welding. Its automatic rotation allows only orbital welding work.

To use the machine frame for several operations (prefab welding, cutting and / or bevelling), **a cutting or bevelling machine must be ordered with the welding KIT adapted to your needs.**

You will find all the information in the relevant catalogues.



Cutting motor, bevelling motor or orbital welding torch interface

Orbital welding (Open heads)

AXXAIR

INNOVATIVE ORBITAL SOLUTIONS

Our range of open welding heads (SATO series) allows you to make very high quality welds in a minimal space.

On these heads you will find a mechanical tracking system to keep a constant arc height. The torch can tilt to weld at an angle.

Open heads are mainly recommended for the agro-food, pharmaceutical, chemical sectors, for wall thicknesses less than but also greater than 3 mm.



This type of machine can be used to weld carbon steel tubes.

Open heads offer very wide welding possibilities thanks to the inclination of the torch and the addition of filler metal. The clamping range is achieved without the addition of jaws.

The tracking system is by roller so as not to scratch the tube. All the parts in contact with the tube are made of stainless steel so as not to contaminate it.

With its unique symmetrical clamping system, its stepping motor control, this range offers a very wide range of use.

You can choose between heads provided with or without an AVC/OSC system.

FLEXIBILITY, PRODUCTIVITY

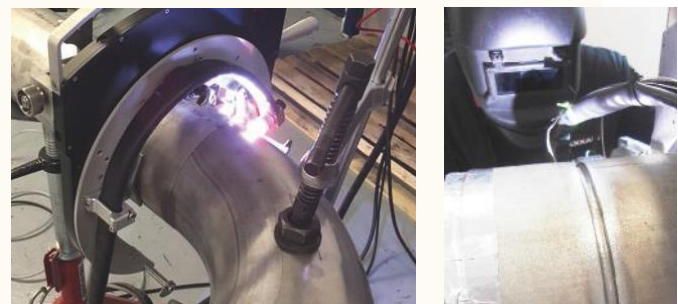
AXXAIR open heads are available with or without filler metal. They have an optimized rotation sweep and 2 positions of feed motor to choose from. High duty cycle (water cooled torch).

QUALITY AND REPEATABILITY

The SATO range is connected to our orbital generators, which permanently control all the welding parameters, guaranteeing repeatable and quality welds.

PORTABILITY

In order to allow you to weld in restrictive conditions and locations, the size of rotating elements and the weight of the machines have been optimized. Our machines are supplied with integrated remote control and 5 m welding cable allowing the operator to work remotely from the generator.



Please do not hesitate to contact us for all enquiries relating to orbital welding technology.

We will be glad to share our know-how with you and to devise a solution that best meets your needs!

Join **experience**



SATO-40 - 80 - 115 - 170 - 220

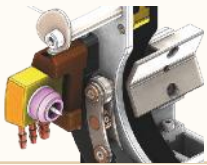
AXXAIR
INNOVATIVE ORBITAL SOLUTIONS

Water Cooled



Roller mechanical profile tracking

Constant arc voltage without marking the tube



Compatible with the SAXX power sources

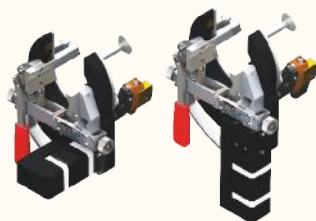


Transport

These heads are delivered in shock-proof, waterproof and dustproof cases

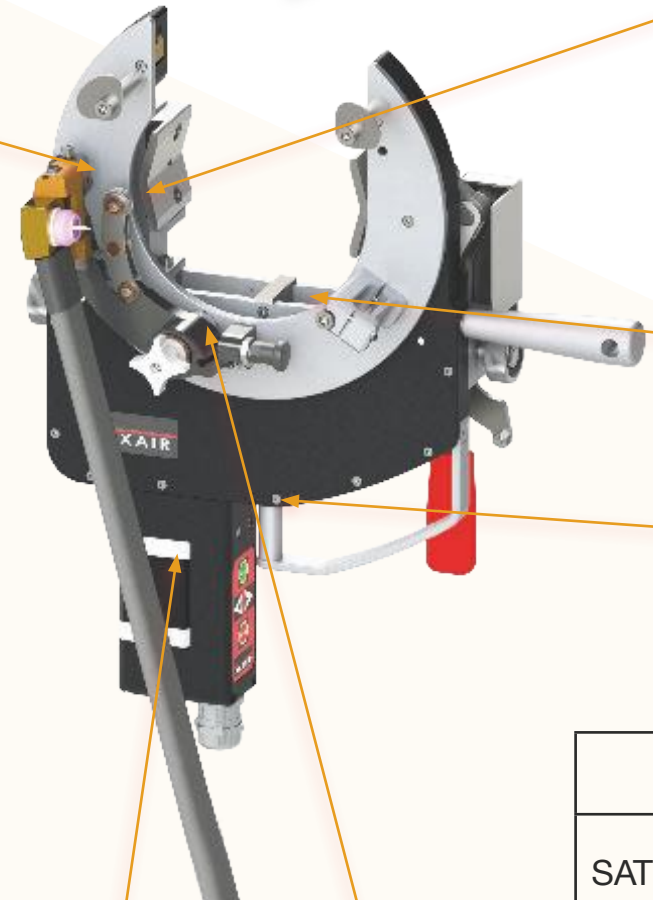
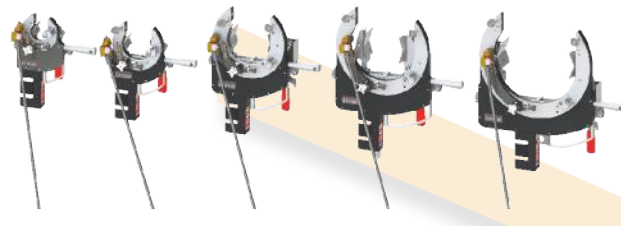


Straight or Angled motor Symmetrical clamping



Axial Adjustment

Wheel for axial adjustment of the position of the electrode



Protection

High protection against arcing outside the electrode

Torch angle adjustment

Welding flanges and short T angle



Locked open position

Motorization with encoder

Allows STARTING IN ALL ANGULAR electrode positions

| Welding range | |
|---------------|----------------------------------|
| SATO 40 | ∅ 10 - ∅ 40 mm 0.4- 1.5 " |
| SATO 80 | ∅ 19 - ∅ 80 mm 0.75 - 3 " |
| SATO 115 | ∅ 19 - ∅ 115 mm 0.75 - 4.5 " |
| SATO 170 | ∅ 25 - ∅ 170 mm 1 - 6.625 " |
| SATO 220 | ∅ 38 - ∅ 220 mm 1.5 - 8.265 " |



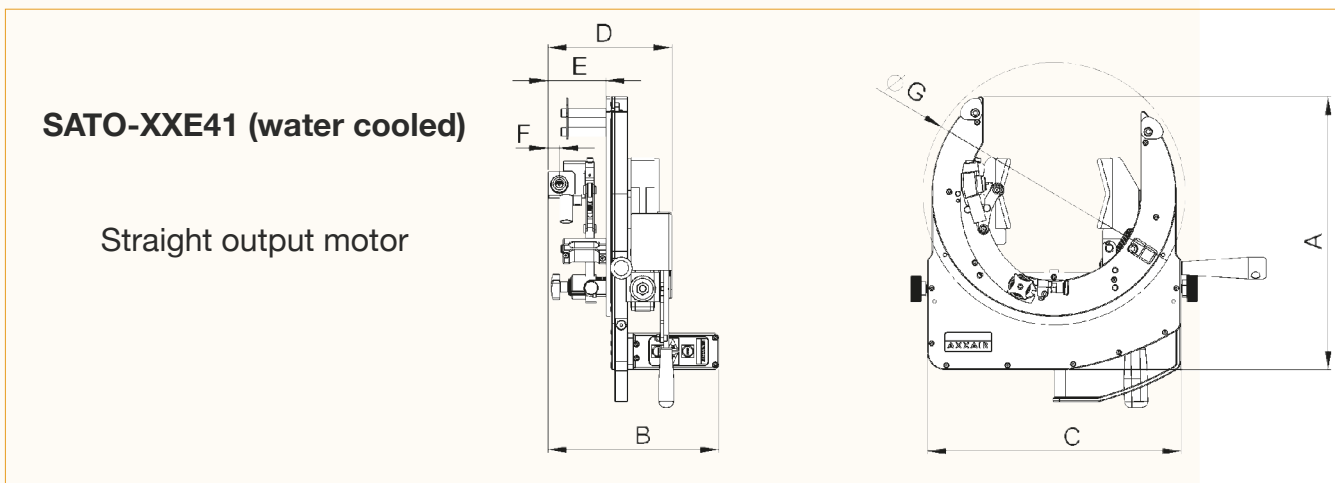
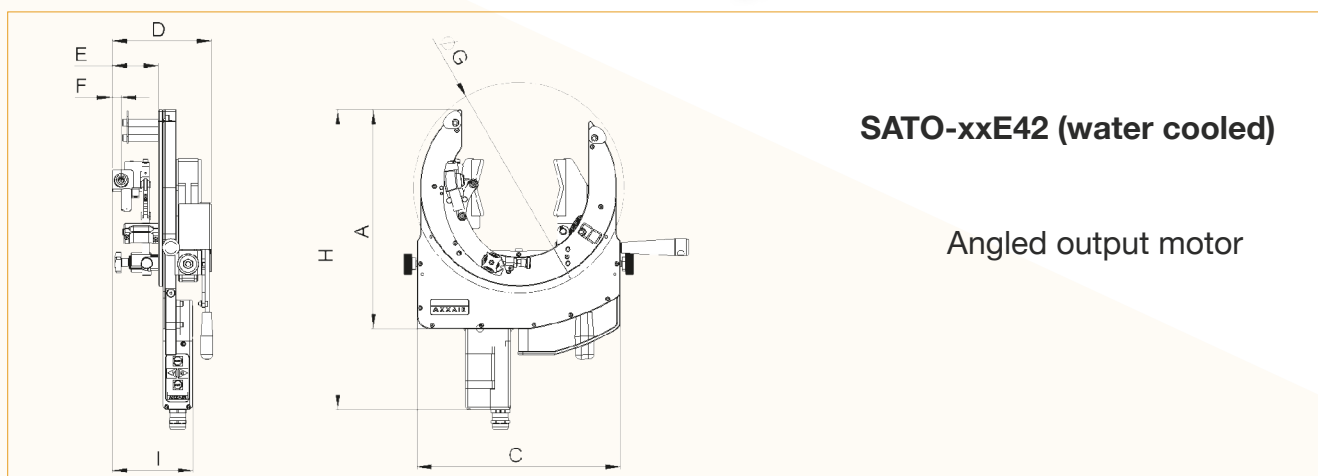
SATO-40 - 80 -115 - 170 -220



Technical characteristics:

- WATER cooled head
- Mechanical profile tracking: constant arc height without marking the tube
- Quick symmetrical tightening by lever
- Motorization with encoder: allows starting from any angular position of the electrode
- Wide diameter range
- Inclination and axial adjustment of the electrode
- Small rotation sweep from the centre of the tube
- Compact design

Choice of two different models (to choose according to your applications)



| | A mm | B mm | C mm | D mm | E mm | F mm | G mm | H mm | I mm |
|-----------------|---------|------------|---------|------------|----------|---------|---------|---------|------------|
| SATO-40 | 169 | 183 to 191 | 142 | 116 to 126 | 57 to 67 | 13 | Ø140 | 270 | 113 to 121 |
| SATO- 80 | 181 | 186 to 196 | 160 | 116 to 126 | | | 279 | | |
| SATO-115 | 265 | 186 to 196 | 230 | 133 to 143 | | | Ø224 | 363 | |
| SATO-170 | 312 | 186 to 196 | 290 | 133 to 143 | | | Ø294 | 410 | |
| SATO-220 | 353 | 186 to 196 | 350 | 133 to 143 | | | Ø350 | 451 | |



Join **experience**



SATO-40 - 80 -115 - 170 -220**AXXAIR**
INNOVATIVE ORBITAL SOLUTIONS

| Moteur | Cooling | Product Code | Welding machine for tubes of the following diameters (in mm) | Net weight | Dimensions (AxBxC in mm) |
|-----------------------|--------------|--------------|--|------------|--------------------------|
| Angled motor | WATER | SATO-40E42 | ø 10 - ø 40 mm | 3.8 kg | 169 x 183 x 142 |
| | | SATO-80E42 | ø 19 - ø 80 mm | 4.2 kg | 181 x 186 x 160 |
| | | SATO-115E42 | ø 19 - ø 115 mm | 6.7 kg | 265 x 186 x 230 |
| | | SATO-170E42 | ø 25 - ø 170 mm | 8 kg | 312 x 186 x 290 |
| | | SATO-220E42 | ø 38 - ø 220 mm | 9.4 kg | 353 x 186 x 350 |
| Straight motor | WATER | SATO-40E41 | ø 10 - ø 40 mm | 3.8 kg | 169 x 191 x 142 |
| | | SATO-80E41 | ø 19 - ø 80 mm | 4.2 kg | 181 x 196 x 160 |
| | | SATO-115E41 | ø 19 - ø 115 mm | 6.7 kg | 265 x 196 x 230 |
| | | SATO-170E41 | ø 25 - ø 170 mm | 8 kg | 312 x 196 x 290 |
| | | SATO-220E41 | ø 38 - ø 220 mm | 9.4 kg | 353 x 196 x 350 |



AXXAIR's orbital welding

Sweep Multi-pass TIG welding

- AVC/OSC system -

AXXAIR
INNOVATIVE ORBITAL SOLUTIONS

Motorised voltage control: AVC

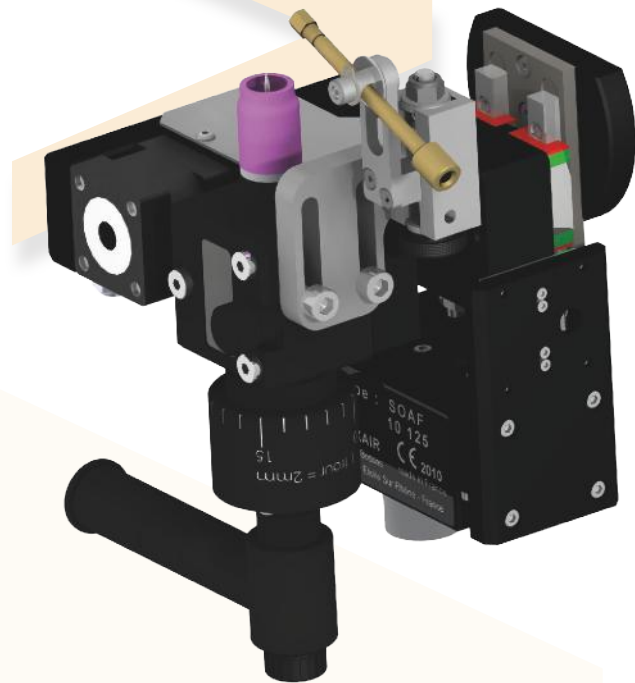
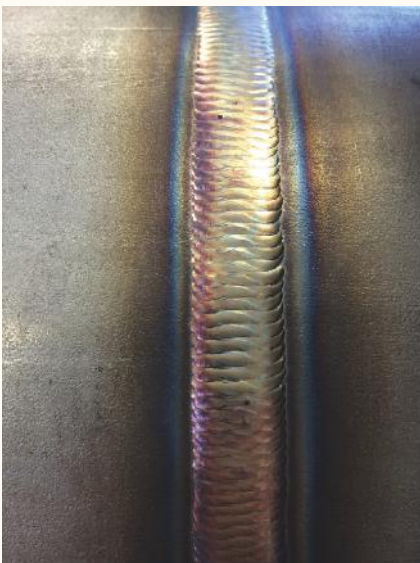
Motorised Arc Voltage Control is often abbreviated to AVC. Arc voltage is directly linked to the distance between the tube to be welded and the electrode. In other words, this option ensures the correct tube-electrode distance is maintained electronically during welding.

AVC can indeed be of huge benefit, especially in mechanised welding, and the more sensors there are to guide the machine, the less user intervention is required.

The two most frequent applications:

- When you do not wish to measure the external diameter physically using a feeler probe; AVC requires no contact with the tube and the sensor is more accurate and responsive than with physical tracking.

- When wire welding and the deposition rate beneath the electrode is not fully controlled, this can obviously affect the arc length. In this case, AVC means you never go near the soldering bath.



Fusion+OSC+wire:

This welding method combines AVC movement with oscillation of the torch and wire. This method is used for multi-pass welding of high thickness materials.

Torch oscillation is where the electrode is swung left and right in a linear motion so that each side of the joint can be kept liquid as welding progresses.

Oscillation brings an improvement in the number of passes, and therefore significantly improves productivity.

This system, when combined with AVC, is the only effective way of filling a tulip joint in multi-pass TIG welding.

These systems are available on prefabrication machines and open heads.



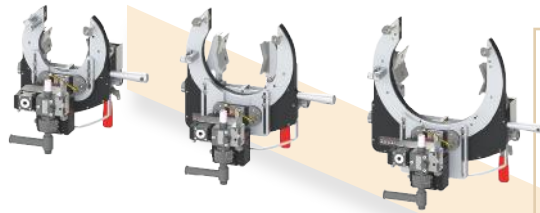
SATO-115 - 170 -220 (AVC/OSC)

AXXAIR
INNOVATIVE ORBITAL SOLUTIONS

Control of the wire

Regulation of the wire by the SAXX power sources

Water Cooled



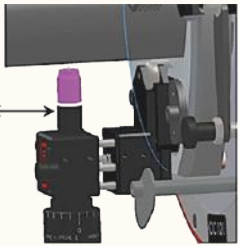
Protection

High protection against arcing outside the electrode

Multi-pass welding

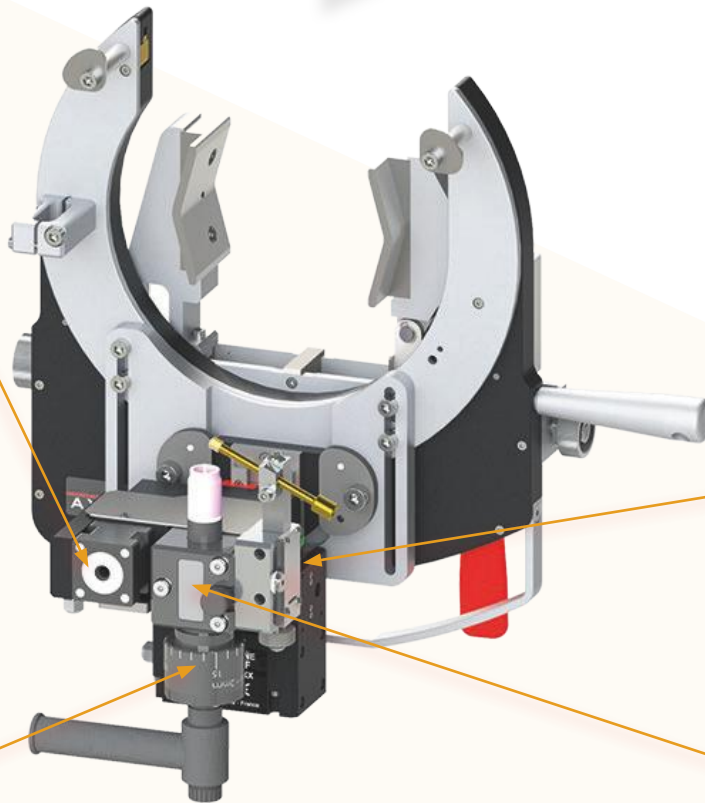
Mortorised axial sweep (OSC)

Movement of the electrode's axial position: +/- 10 mm



Transport

These heads are delivered in shockproof, waterproof and dust-proof cases



Motorization with encoder

Allows STARTING IN ALL ANGULAR electrode positions

Constant distance: electrode-tube

Motorised setting and control of the distance tube-electrode (AVC)

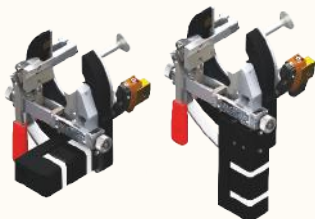
regulates the arc voltage, the distance between the electrode and the tube

AVC/OSC system

Allows to weld tubes with up to 12.7 mm wall thickness

Straight or Angled motor

Symmetrical clamping



Compatible with the 210 and 300 SAXX power sources



Welding range

| | |
|----------|----------------------------------|
| SATO 115 | ∅ 19 - ∅ 115 mm 0.75 - 4.5 " |
| SATO 170 | ∅ 25 - ∅ 170 mm 1 - 6.625 " |
| SATO 220 | ∅ 38 - ∅ 220 mm 1.5 - 8.265 " |

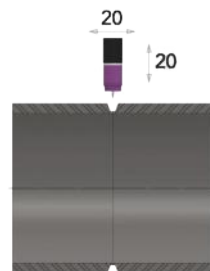


SATO-115 - 170 -220 (AVC/OSC)



Caractéristiques techniques:

- WATER cooled head with AVC/OSC system
- Quick symmetrical tightening by lever
- Motorization with encoder: allows starting from any angular position of the electrode
- Wide diameter range
- For optimum use, the ambient temperature must be between 0 °C and + 40 °C.
- Oscillation range: 20 mm, AVC range: 20 mm, max speed: 15 mm/s
- Machines compatible with AXXAIR welding power sources with SAXX (210 and 300) type liquid coolant system for welding cycle.



Choice of two different models (to choose according to your applications)

SATO-xxE52 (water cooled with AVC / OSC system)

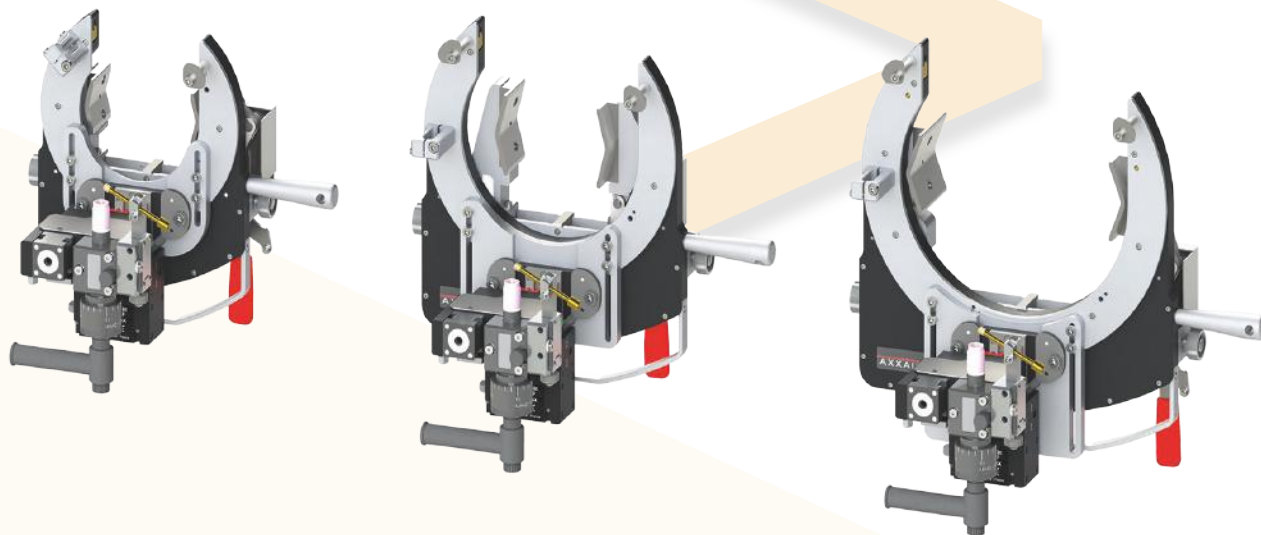
Angled output motor

SATO-xxE51 (water cooled with AVC / OSC system)

Straight output motor

| | A mm | B mm | C mm | D mm | E mm | F mm | G mm | H mm | I mm |
|----------|------|---------|------|---------|--------|------|------|------|---------|
| SATO-115 | 171 | 246-271 | 230 | 146-171 | 85-110 | 31.5 | 680 | 269 | 194-219 |
| SATO-170 | 201 | | 290 | | | | 750 | 299 | |
| SATO-220 | 220 | | 350 | | | | 800 | 318 | |



SATO-115 - 170 -220 (AVC/OSC)**AXXAIR**
INNOVATIVE ORBITAL SOLUTIONS

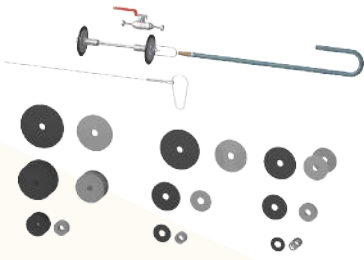
| Moteur | Cooling | Product code | Welding machine for tubes of the following diameters (in mm) | Net weight |
|-----------------------|--------------|--------------|--|------------|
| Angled motor | WATER | SATO-115E52 | ø 19 - ø 115 mm | 10.6 kg |
| | | SATO-170E52 | ø 25 - ø 170 mm | 12.7 kg |
| | | SATO-220E52 | ø 38 - ø 220 mm | 15.1 kg |
| Straight Motor | WATER | SATO-115E51 | ø 19 - ø 115 mm | 10.6 kg |
| | | SATO-170E51 | ø 25 - ø 170 mm | 12.7 kg |
| | | SATO-220E51 | ø 38 - ø 220 mm | 15.1 kg |



Orbital welding (open heads) - Accessories

AXXAIR

INNOVATIVE ORBITAL SOLUTIONS



| Product Code | Description | Net weight | Packaging (in cm) |
|--------------|--------------------|------------|-------------------|
| SKIF-01 | Gas protection KIT | 4.5 kg | 35 x 30 x 9.5 |

Gas membrane protection KIT for tubes Ø 40 to 120 mm

- consists of: 9 sets of membranes with washers, 1 gas pipe 6 m, 1 metal cable, 1 ¼ turn gas valve, 1 carabiner

Inerting the tubes during welding allows more gas savings as we only inert the area to be welded.

| | | | | | | | |
|--------------|--------------|---------------|---------------|---------------|---------------|---------------|---------------|
| ✓ SATO-40E4x | ✓ SATO-80E4x | ✓ SATO-115E4x | ✓ SATO-170E4x | ✓ SATO-220E4x | ✓ SATO-115E5x | ✓ SATO-170E5x | ✓ SATO-220E5x |
|--------------|--------------|---------------|---------------|---------------|---------------|---------------|---------------|



| Product Code | Description | Net weight | Packaging (in cm) |
|--------------|--------------------|------------|-------------------|
| SKIB-01 | Gas protection KIT | 1.7 kg | 35 x 30 x 9.5 |

Gas plug protection KIT for tubes Ø 6 to 41 mm

- Consists of: 10 sets of perforated plugs, 1 gas inlet connector, 1 hose Ø 4/6 length 5 metres

Facilitates and accelerates inerting. Avoids the use of adhesive paper.

| | | | | | | | |
|--------------|--------------|---------------|---------------|---------------|---------------|---------------|---------------|
| ✓ SATO-40E4x | ✓ SATO-80E4x | ✓ SATO-115E4x | ✓ SATO-170E4x | ✓ SATO-220E4x | ✓ SATO-115E5x | ✓ SATO-170E5x | ✓ SATO-220E5x |
|--------------|--------------|---------------|---------------|---------------|---------------|---------------|---------------|



| Product Code | Description | Net weight | Dimensions (in mm) |
|--------------|---------------------|------------|--------------------|
| SATOB-02B | Two axis wire guide | 0.05 kg | 51 x 90 x 65 |

SATO Two axis wire guide:

- For use with the SAXX power sources

| | | | | | | | |
|--------------|--------------|---------------|---------------|---------------|-------------|-------------|-------------|
| ✓ SATO-40E4x | ✓ SATO-80E4x | ✓ SATO-115E4x | ✓ SATO-170E4x | ✓ SATO-220E4x | SATO-115E5x | SATO-170E5x | SATO-220E5x |
|--------------|--------------|---------------|---------------|---------------|-------------|-------------|-------------|



| Product Code | Description | Net weight | Dimensions (in cm) |
|--------------|----------------|------------|--------------------|
| SADF2X | Wire dispenser | 12 kg | 59.7 x 38.4 x 24 |

Wire Dispenser for SAXX-200, duct 5 m max:

- Supplied with the SAXX power supply-connection cable and Teflon duct to guide the wire
- Drive pressure adjusted by adjustable spring, with handle.

| | | | | | | | |
|--------------|--------------|---------------|---------------|---------------|---------------|---------------|---------------|
| ✓ SATO-40E4x | ✓ SATO-80E4x | ✓ SATO-115E4x | ✓ SATO-170E4x | ✓ SATO-220E4x | ✓ SATO-115E5x | ✓ SATO-170E5x | ✓ SATO-220E5x |
|--------------|--------------|---------------|---------------|---------------|---------------|---------------|---------------|

Join **experience**

Orbital welding (Open heads) - Accessories**AXXAIR**

INNOVATIVE ORBITAL SOLUTIONS

5 or 10 metres welding cable extensions

To increase the operating distance between the welding head and the SAXX generator, we offer cable extensions.

The choice of the cable is made according to the cooling of the torch (water or air) and with or without filler metal.

| Cooling | | Length | Product Code | Net weight | Dimensions (AxBxC in mm) | | |
|--------------|--------------|---------------|------------------|---------------|--------------------------|-------------|-------------|
| WATER | WITHOUT WIRE | 5 metres | SAFS-05MX | 7 kg | 40 x 59 x 25 | | |
| | | 10 metres | SAFS-10MX | 14 kg | 40 x 59 x 25 | | |
| ✓ SATO-40E4x | ✓ SATO-80E4x | ✓ SATO-115E4x | ✓ SATO-170E4x | ✓ SATO-220E4x | SATO-115E5x | SATO-170E5x | SATO-220E5x |

| Cooling | | Length | Product Code | Net weight | Dimensions (AxBxC in mm) | | |
|--------------|--------------|---------------|-------------------|---------------|--------------------------|-------------|-------------|
| WATER | WIRE | 5 metres | SAFS-05MXF | 7 kg | 40 x 59 x 25 | | |
| | | 10 metres | SAFS-10MXF | 14 kg | 40 x 59 x 25 | | |
| ✓ SATO-40E4x | ✓ SATO-80E4x | ✓ SATO-115E4x | ✓ SATO-170E4x | ✓ SATO-220E4x | SATO-115E5x | SATO-170E5x | SATO-220E5x |

| Cooling | | Length | Product Code | Net weight | Dimensions (AxBxC in mm) | | |
|------------|-------------------|-------------|--------------------|-------------|--------------------------|---------------|---------------|
| WATER | WIRE WITH AVC/OSC | 10 metres | SAFS-10MOSC | 14 kg | 40 x 59 x 25 | | |
| SATO-40E4x | SATO-80E4x | SATO-115E4x | SATO-170E4x | SATO-220E4x | ✓ SATO-115E5x | ✓ SATO-170E5x | ✓ SATO-220E5x |

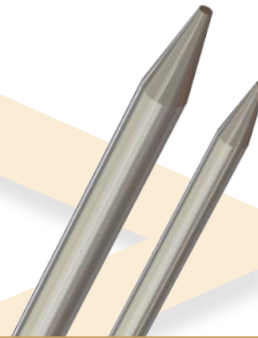
**Join experience**

Orbital welding (Open head) - Consumables



Our electrodes are specifically sharpened to 20° with a flat.

This increases the life of the electrodes.



| Product Code | Description | Net weight | Plastic box (cm) |
|--|-------------|------------|------------------|
| SCE16-50 | Electrodes | 0.02 kg | 5.5 x 4.5 x 1 |
| Electrode diameter 1.6 mm , length 50mm | | | |
| - Box of 10 electrodes | | | |

| | | | | | | | |
|--------------|--------------|---------------|---------------|---------------|---------------|---------------|---------------|
| ✓ SATO-40E4x | ✓ SATO-80E4x | ✓ SATO-115E4x | ✓ SATO-170E4x | ✓ SATO-220E4x | ✓ SATO-115E5x | ✓ SATO-170E5x | ✓ SATO-220E5x |
|--------------|--------------|---------------|---------------|---------------|---------------|---------------|---------------|



| Product Code | Description | Net weight | Plastic box (cm) |
|--|-------------|------------|------------------|
| SCE24-50 | Electrodes | 0.05 kg | 5.5 x 4.5 x 1 |
| Electrode diameter 2.4 mm , length 50mm | | | |
| - Box of 10 electrodes | | | |

| | | | | | | | |
|--------------|--------------|---------------|---------------|---------------|---------------|---------------|---------------|
| ✓ SATO-40E4x | ✓ SATO-80E4x | ✓ SATO-115E4x | ✓ SATO-170E4x | ✓ SATO-220E4x | ✓ SATO-115E5x | ✓ SATO-170E5x | ✓ SATO-220E5x |
|--------------|--------------|---------------|---------------|---------------|---------------|---------------|---------------|



| Product Code | Description | Net weight | Plastic box (cm) | | | | |
|--|-------------------|---------------|------------------|---------------|-------------|-------------|-------------|
| SKTO-01 | Replacement torch | 0.3 kg | 12 x 17.5 x 4 | | | | |
| Replacement kit for open head torch Ø 1.6 mm and Ø 2.4 | | | | | | | |
| - Consists of: 4 long nozzles and 2 short nozzles, 4 electrode clamps, 20 electrodes Ø 1.6 and 20 Ø 2.4 electrodes, 2 Teflon rings, 1 short cap type 9/20 and 1 screw-driver FACOM | | | | | | | |
| ✓ SATO-40E4x | ✓ SATO-80E4x | ✓ SATO-115E4x | ✓ SATO-170E4x | ✓ SATO-220E4x | SATO-115E5x | SATO-170E5x | SATO-220E5x |

| Product Code | Description | Net weight | Plastic box (cm) | | | | |
|---|-------------------|-------------|------------------|-------------|---------------|---------------|---------------|
| SKTD-02 | Replacement torch | 0.3 kg | 12 x 17.5 x 4 | | | | |
| Replacement kit for straight torch Ø 2.4 mm | | | | | | | |
| - consists of: 5 nozzles, 2 plugs 9/20, 2 long electrode clamps, 10 electrodes (Ø 2.4) and 2 mesh diffusers | | | | | | | |
| SATO-40E4x | SATO-80E4x | SATO-115E4x | SATO-170E4x | SATO-220E4x | ✓ SATO-115E5x | ✓ SATO-170E5x | ✓ SATO-220E5x |



Orbital welding (Tube-to-tube sheet)

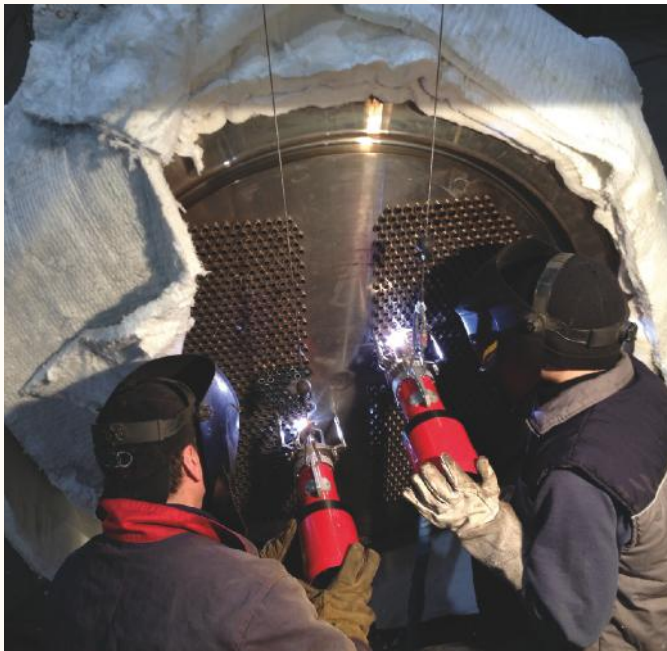
AXXAIR

INNOVATIVE ORBITAL SOLUTIONS

Our tube-to-tube sheet welding heads, fully water-cooled, are designed for heat exchanger production applications in various industries such as aeronautics, agri-food or energy production.

Indeed, heat exchangers play an increasingly important role in industry and this welding head allows the economical, reliable and very high quality assembly of the tubes on the plates.

The SATP-80X covers virtually all common tube to tube sheet configurations in both stainless steel, titanium and black steel.



In tube to tube sheet applications, preparation is a very important aspect to guarantee repeatable and quality welding results. The following steps are discussed at each project and are essential to ensure the success of your process:

- Length of the tube in relation to the tube sheet (dressing operation)
- Centring of the tubes on the tube sheet:

This operation consists in bringing the tube into contact with the end of the hole in the tube sheet in order to avoid collapsing associated with the clearance between the tube and tube sheet if this operation is neglected.

Centring machines allow this essential operation. This centring also allows the weld gases to be evacuated through the back of the plate. Centring is often neglected but avoids much inconvenience during production.

FLEXIBILITY, PRODUCTIVITY

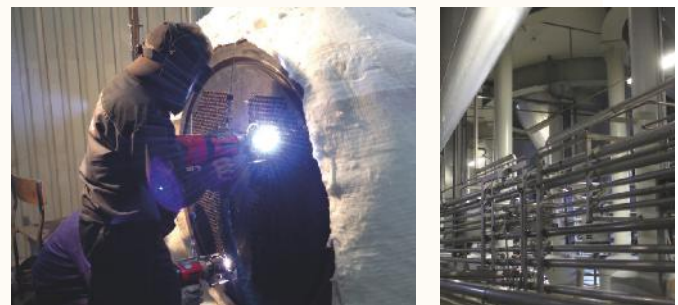
This head can weld in simple fusion or with the supply of wire. The wire feed is mounted on the head (1 kg reel) and rotates with the torch to ensure controlled wire output.

QUALITY AND REPEATABILITY

The specific mandrel of our SATP with centring by balls pushed by springs allows positioning while allowing fast installation and especially ensuring that the head can easily be brought out of the tube in the case of excess internal weld thickness.

PORTABILITY

Portable machines, which are easy to move and usable directly on site.



Please do not hesitate to contact us for all enquiries relating to tube sheet welding technology.

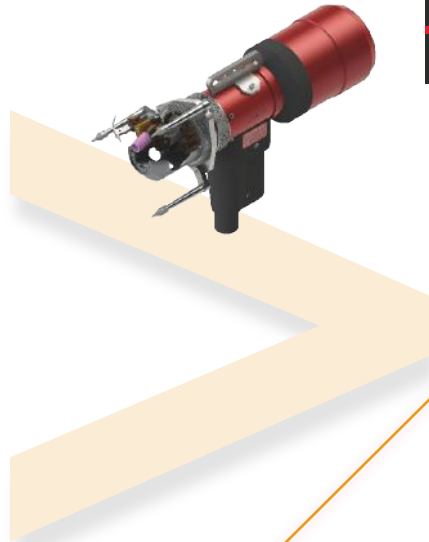
We will be glad to share our know-how with you and to devise a solution that best meets your needs!



Join **experience**



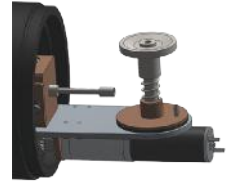
SATP-80X



Water Cooled

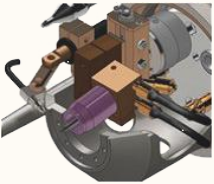


Wire holder 1 kg



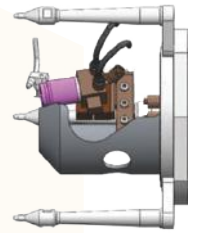
Tilting head

Water cooled with tilting wire



Positioning stops

Adjustable stops for better tube sheet stability



Mandrel system

Concentric tightening from the inside of the tube

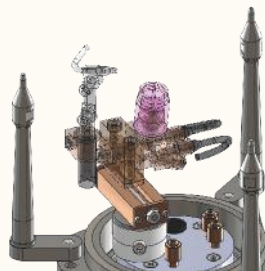


Compatible with the SAXX power sources



Flexibility

Head and wire adjustment trolley



Electric motor with wire feed



Welding range

| | |
|----------|-----------------------------|
| SATP-80X | ø 10 - ø 80 mm 0.4 - 3 " |
|----------|-----------------------------|



SATP-80X

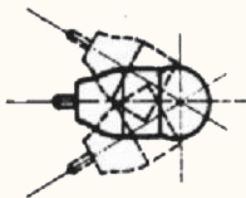
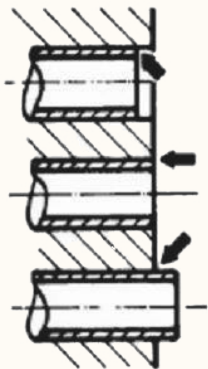
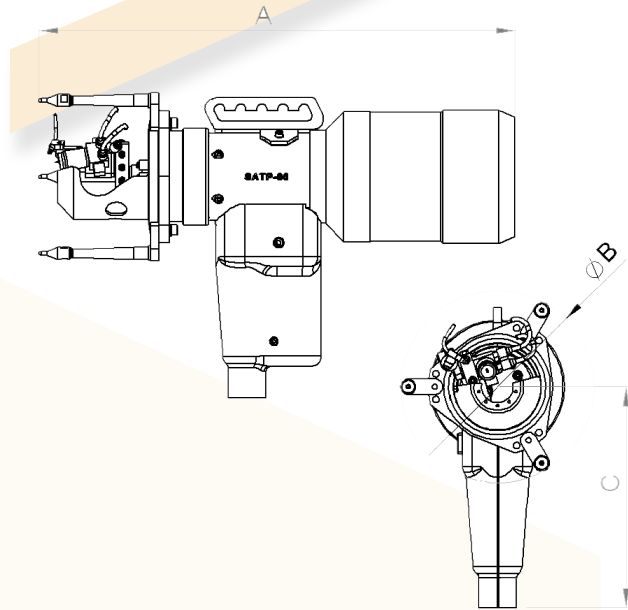
AXXAIR
INNOVATIVE ORBITAL SOLUTIONS

The SATP-80X covers virtually all common tube to tube sheet configurations in stainless steel as well as in titanium or black steel.



Technical characteristics:

- Rotating gas, current and cooling seal
- Tilting water cooled head
- Head and wire adjustment trolley
- Built-in rotating wire dispenser (Ø 0.8 mm)
- Cycle startup integrated in the handle for better ergonomics
- The head is fully cooled allowing a maximum welding current of 200A
- Specific mandrel with ball centring pushed by springs: precise positioning and quick installation.



- 3 tube-to-tube sheet welding configurations
- Outside diameter of the straight torch tube: 12 - 82 mm
- External diameter of the tube if torch tilted at 30 °: 12 - 40 mm

| Product Code | Description | Net weight (Without spool) | Ø wire | Max Wire Speed | Dimensions (AxBxC mm) |
|--------------|---|----------------------------|--------|----------------|-----------------------|
| SATP-80X | Welding head SATP-80X Ø10 to Ø78 mm Supplied with wire dispenser | 7.5 kg | 0.8 mm | 200 cm/min | 451 x 182 x 210 |

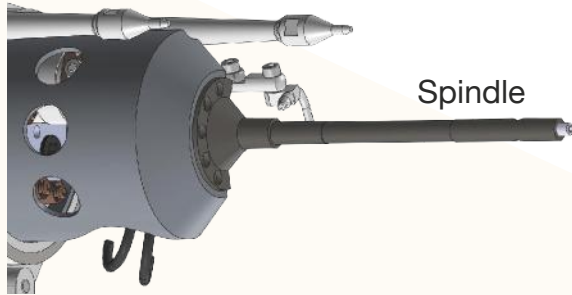


Orbital welding (Tube to tube sheet) - Accessories

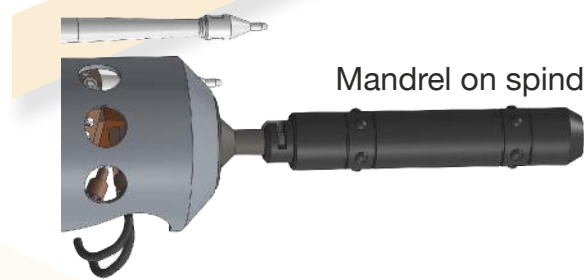


The mandrel used must be chosen according to the inner diameter of the tube to be welded to the tube sheet.

Depending on the mandrel used, it will be necessary to choose the compatible spindle.



Spindle



Mandrel on spindle



SATP mandrels

SATP Centring mandrels:

| Tube inner \varnothing (mm) | Mandrel Product Code | On spindle |
|-------------------------------|----------------------|------------|
| 9.8 to 10.3 mm | SATP-M11 | SATP-B01 |
| 10.3 to 10.8 mm | SATP-M12 | |
| 10.8 to 11.3 mm | SATP-M13 | |
| 11.3 to 11.8 mm | SATP-M14 | |
| 11.8 to 12.3 mm | SATP-M15 | |
| 12.3 to 13.0 mm | SATP-M16 | |
| 12.8 to 14.0 mm | SATP-M21 | SATP-B02 |
| 13.8 to 15.0 mm | SATP-M22 | |
| 14.8 to 16.0 mm | SATP-M23 | |
| 15.8 to 17.0 mm | SATP-M24 | |
| 16.8 to 18.0 mm | SATP-M25 | |
| 17.8 to 19.0 mm | SATP-M26 | |
| 18.8 to 20.5 mm | SATP-M27 | |
| 19.8 to 22.5 mm | SATP-M28 | |

✓ SATP-80X



Orbital welding (Tube to tube sheet) - Accessories



SATP mandrels (continued)

SATP Centring mandrels:

| Tube inner \varnothing in mm | Mandrel Product Code | On spindle |
|--------------------------------|----------------------|------------|
| 22.3 to 24.8 mm | SATP-M29 | SATP-B03 |
| 24.5 to 27.0 mm | SATP-M30 | |
| 26.5 to 29.0 mm | SATP-M31 | |
| 28.5 to 31.0 mm | SATP-M32 | |
| 30.5 to 33.0 mm | SATP-M33 | |
| 32.5 to 36.0 mm | SATP-M34 | |
| 35.5 to 39.0 mm | SATP-M35 | |
| 38.5 to 42.0 mm | SATP-M36 | |
| 41.5 to 45.0 mm | SATP-M37 | |
| 44.5 to 48.0 mm | SATP-M38 | |
| 47.5 to 51.0 mm | SATP-M39 | SATP-B04 |
| 50.5 to 54.0 mm | SATP-M40 | |
| 53.5 to 58.0 mm | SATP-M41 | |
| 57.5 to 62.0 mm | SATP-M42 | |
| 61.5 to 66.0 mm | SATP-M43 | |
| 65.5 to 70.0 mm | SATP-M44 | |
| 69.5 to 74.0 mm | SATP-M45 | |
| 73.5 to 78.0 mm | SATP-M46 | |

✓ SATP-80X



SATP Spindles

Spindles for SATP mandrel:

| Product Code | For Mandrel |
|--------------|-------------|
| SATP-B01 | M11 to M16 |
| SATP-B02 | M21 to M28 |
| SATP-B03 | M29 to M39 |
| SATP-B04 | M40 to M46 |

✓ SATP-80X



Orbital welding (Tube to tube sheet) - Consumables



Our electrodes are specifically sharpened to 20° with a flat.
This increases the life of the electrodes.



Reference change



| Product Code | Description | Net weight | Plastic box (cm) |
|--------------|-------------|------------|------------------|
| SCE24-39.5 | Electrodes | 0.05 kg | 5.5 x 4.5 x 1 |

Electrodes \varnothing **2.4 mm**, length 39.5mm for SATP:

- Box of 10 electrodes

✓ SATP-80X



Orbital welding (Welding power sources)

AXXAIR

INNOVATIVE ORBITAL SOLUTIONS

Our range of AXXAIR power supplies has been designed to be user friendly and intuitive. Our step by step design allows, even beginner, to easily generate programs after only a short learning period, while very advanced functions are available to advance users looking to customize their programs.

A particular attention has been paid to using as much as possible standard industrial components for their reliability and availability. The facilitated access to parts makes our power sources robust and easy for maintenance.

The combination of an easy to use and sturdy package allows you to be competitive and makes this range the best choice for all your current or futur projects.



The electronics in charge of piloting the rotors of the welding heads is specifically designed to support various motor type, CD, brushless, stepping motors but also encoders or tachometers, making these power supply one of the most versatile on the market today.

Because our power supply can control most type of motors, we are able to control not only our products but also many of the other products available. Using a 32-pin « quick fit » connector we are able to design several cable adaptor to connect most products available today on our power supply. This great feature allows our customers to use our power supply as a one fits all, reducing the cost of ownership.

FLEXIBILITY, PRODUCTIVITY

Our latest touch screen interface allows us to make available even the most advanced features in a user friendly and intuitive way.

QUALITY AND REPEATABILITY

Part of the conviviality of our power supply comes from the innovative way we register a program. First you will create a configuration that includes the model and type of welding head, the tube diameter, the tube wall thickness and the tube material. Then within this configuration you will add you programs, up to 10 per configuration. This makes it really easy to retrieve and select a program even if it was created months ago.

PORTABILITY

Our power supply are among the easiest to carry on site or move around the workshop, however if you want to be able to move effortlessly the gas cylinder together with the power supply we designed a very convenient trolley.



Please do not hesitate to contact us for all enquiries relating to orbital welding power sources.

We will be glad to share our know-how with you and to devise a solution that best meets your needs!



Join **experience**



SAXX-210



Fully-assured gas management

2 separate gas lines, free choice of inerting gas flow management



Gas flow control and flow alarms

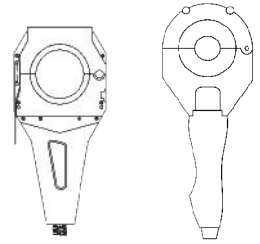
Display of the actual flow rate right on the screen

Water cooled



Compatible with most closed heads on the market:

AMI, Polysoude, ESAB, Orbitec and Orbitalum



Interface 5.7 colour touch screen + WiFi

13 languages, possibility of remote control by smartphone or tablet



Integral printer:

Printing program and actual parameters

Compatible with AVC/OSC system

PPM sensor

Capable of managing thresholds and sending an electrical pulse to the power source in order to start the welding. This ensures a consistently and properly purged welding area

Records PPM variation during the weld



Axis for added metal

Possibility of using Step mode

Data acquisition

Records the last 999 welds on the USB stick

Integrated WeldReport (formatting of the data and presenting of the instructions in the form of DMOS)

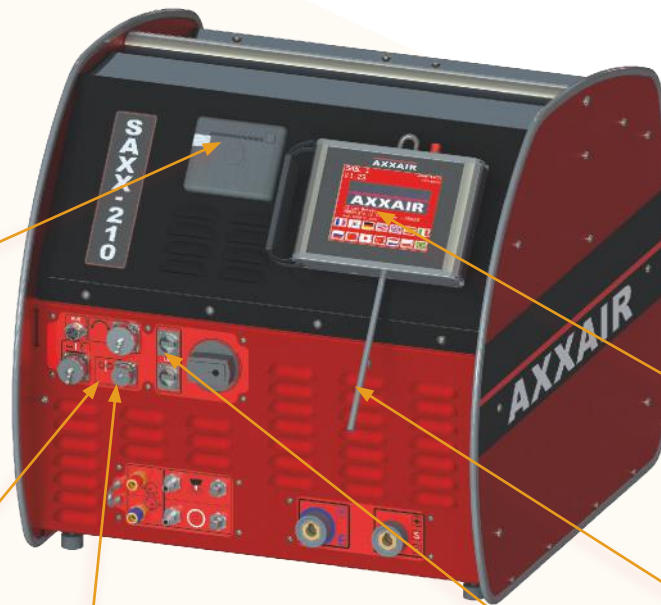
Remove control display

4 m long cable

USB port on front panel

200 programs per USB stick (possible to use several sticks)

Remote update possible



SAXX-210



Technical characteristics:

Duty cycle:

| 230 V | | 110 V | |
|-------|-------|-------|-------|
| 50 % | 210 A | | |
| 60 % | 180 A | 60 % | 127 A |
| 100 % | 160 A | 100 % | 110 A |

Power supply:

- Single phase network **with earth**
- Supply voltage: 110 to 230 V +/-15%
- Input current consumed 25A at 230V and 32A at 110V
- Frequency: 50 / 60Hz
- Cable supplied: HO7RN-F 3x2.5 mm² black length 3m

Gas supply:

- Maximum inlet pressure: 5 bars
- Maximum flow rate: 50 l / min per gas line
- Inlet connectors: M12x100 male
- Outlet connectors: female blanking union Series 20

Technology:

- Colour touch screen 5"
- 13 languages
- Up to 16 users with passwords and custom permissions
- Simple and intuitive programming with automatic parameter calculation and programming assistance
- 200 programs in 20 sectors maximum / key

Intelligence:

- Alarms: More than 30 alarms to protect the system and check that welding is normal.
- Welding voltage measured in increments of 0.1 A
- Minimum pulse time of 50 ms (modifiable via "operator dynamics")

Integrated printer:

- 32 characters / line
- Print program and actual parameters

Auxiliary connector:

- Possibility of triggering the welding start via an oxygen meter (dry contact).

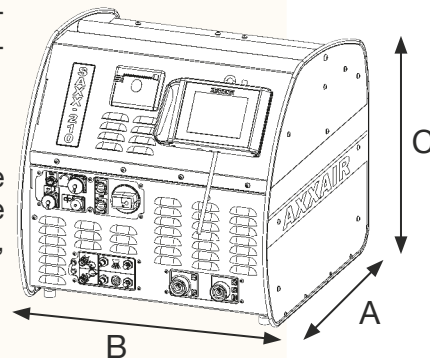
Cooling connector:

- Max pressure: 5 bars
- Cooling power according to standard CEI60974-2: 1.4 kW
- Liquid connectors: female blanking union Series 21

CAUTION: The power source is delivered without coolant. See "Consumables" to order the 3 liter can (SACW-C006).

Wi-fi: (Option)

Remote control of the screen on smartphone or tablet via application, range: 20 to 30 m



| Product code | Description | Two gas lines | Wire feed | Wifi Antenna | AVC/OSC axis | Net weight | Dimensions AxBxC (in mm) |
|--------------|------------------------------|---------------|-----------|--------------|--------------|------------|--------------------------|
| SAXX-210 | Orbital TIG power source | x | x | | | 44 kg | 562 x |
| SAXX-210I | | x | x | x | | 44 kg | 620 x |
| SAXX-210OSC | 210A, autoline, water cooled | x | x | | x | 44 kg | 545 |
| SAXX-210IOSC | | x | x | x | x | 44 kg | |

All options must be mounted at AXXAIR.



SAXX-300

AXXAIR
INNOVATIVE ORBITAL SOLUTIONS

Fully-assured gas management

2 separate gas lines, free choice of inerting gas flow management



Gas flow control and flow alarms

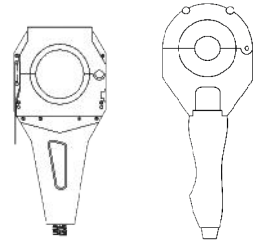
Display of the actual flow rate right on the screen

Water cooled



Compatible with most closed head on the market:

AMI, Polysoude, ESAB, Orbitec and Orbitalum



Interface 5.7 colour touch screen + WiFi (optional)

13 languages, possibility of remote control by smartphone or tablet



Integral printer:

Printing program and actual parameters

Compatible with AVC/OSC system

PPM sensor

Capable of managing thresholds and sending an electrical pulse to the power source in order to start the welding.

This ensures a consistently and properly purged welding area

Records PPM variation during the weld



Axis for added metal

Possibility of using Step mode

Data acquisition

Records the last 999 welds on the USB stick

Integrated WeldReport (formatting of the data and presenting of the instructions in the form of DMOS)

Remove control display

4 m long cable

USB port on front panel

200 programs per USB stick (possible to use several sticks)

Remote update possible



SAXX-300



Technical characteristics:

Duty cycle:

| 400 V | |
|-------|-------|
| 30 % | 300 A |
| 60 % | 240 A |
| 100 % | 210 A |

Power supply:

- Three phase main with earth
- Supply voltage : 400 V +/-15%
- Maximum current on main : 24A
- Frequency : 50/60Hz
- Cable : HO7RN-F 4x2.5 mm² black length 3m

Gas supply:

- Maximum inlet pressure: 5 bars
- Maximum flow rate: 50 l / min per gas line
- Inlet connectors: M12x100 male
- Outlet connectors: female blanking union Series 20

Technology:

- Colour touch screen 5"
- 13 languages
- Up to 16 users with passwords and custom permissions
- Simple and intuitive programming with automatic parameter calculation and programming assistance
- 200 programs in 20 sectors maximum / key

Wi-fi: (Option)

Remote control of the screen on smartphone or tablet via application, range: 20 to 30 m



Intelligence:

- Alarms: More than 30 alarms to protect the system and check that welding is normal.
- Welding voltage measured in increments of 0.1 A
- Minimum pulse time of 50 ms (modifiable via "operator dynamics")

Integrated printer:

- 32 characters / line
- Print program and actual parameters

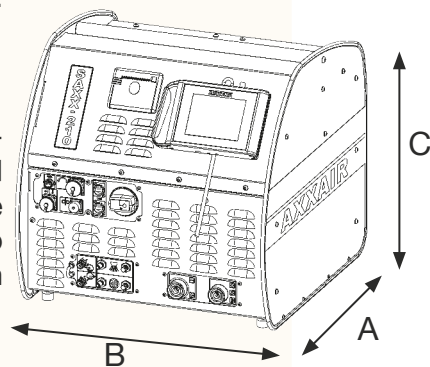
Auxiliary connector:

- Possibility of triggering the welding start via an oxygen meter (dry contact).

Cooling connector:

- Max pressure: 5 bars
- Cooling power according to standard CEI60974-2: 1.4 kW
- Liquid connectors: female blanking union Series 21

CAUTION: The power source is delivered without coolant. See "Consumables" to order the 3 liter can (SACW-C006).



| Product code | Description | Two gas lines | Wire feed | Wifi Antenna | AVC/OSC axis | Net weight | Dimensions AxBxC (in mm) |
|--------------|---|---------------|-----------|--------------|--------------|------------|--------------------------|
| SAXX-300 | Orbital TIG power source 300A, 380V, water cooled | x | x | | | 44 kg | 562 x 620 x 545 |
| SAXX-300I | | x | x | x | | 44 kg | |
| SAXX-300OSC | | x | x | | x | 44 kg | |
| SAXX-300IOSC | | x | x | x | x | 44 kg | |

All options must be mounted at AXXAIR.



Orbital welding (SAXX) - Accessories

AXXAIR

INNOVATIVE ORBITAL SOLUTIONS



| Product Code | Description | Net weight | Dimensions (in cm) |
|--------------|-------------|------------|--------------------|
| SAGC-300 | Trolley | 55 kg | 83 x 56 x 118 |

Trolley for SAXX-210 and SAXX-300 power sources:

- Module for transporting the SAXX-210 and gas cylinders up to 10.5 m³

✓ SAXX-210

✓ SAXX-300

| Product Code | Description | Net weight | Dimensions (in cm) |
|--------------|-------------|------------|--------------------|
| SPPM-10 | PPM reader | 2 kg | 12 x 6 x 15 |

PPM reader compatible with SAXX power sources:

- Integrated pump
- Trigger threshold adjustment
- Upper and lower tolerance adjustment
- Connected to the SAXX, it only allows welding to be triggered when the threshold is reached. The SPPM-10 guarantees the interior inerting of the tubing and the desired good colouration



| Product Code | Description | Net weight | Dimensions (in cm) |
|--------------|-----------------------------|------------|--------------------|
| SPPM-C10 | Extension cable for SPPM-10 | 0.5 kg | 40 x 59 x 25 cm |

10 meter-extension cable for SPPM-10 (PPM reader)

✓ SAXX-210

✓ SAXX-300

| Product Code | Description | Net weight | Dimensions (in cm) |
|--------------|-------------------|------------|--------------------|
| SAFS-G01 | Gas splitter pipe | 0.2 kg | 22 x 22 x 22 |

Gas splitter pipe:

- For connecting the back and front purge gas to the same cylinder. To be used in combination with a pressure regulator for an industrial gas cylinder.



✓ SAXX-210

✓ SAXX-300



NEW

Accessoires SAXX Commutateur



AXXAIR
INNOVATIVE ORBITAL SOLUTIONS

You have repeatable welds to perform and you want to **optimize the cycle time** of your welding operations to be **more efficient** and **increase productivity**?
The new AXXAIR Switch Box is the ideal response!

The Switchbox allows it to use two welding machines with one only orbital welding power source of the SAXX series and to use the two machines alternatively.

The parts that need to be welded can be positioned in one of the two machines while the other one is making a weld. The preparation and setting up time of the parts is thus optimized.

Once the weld is finished, the weld on the other machine can directly be started. The welded parts can be removed from the first machine and new parts can be placed in this machine.

Switch button

The green LED indicates if switching is possible. Switching is done either by this button, or by the start button of the inactive machine



Led lights

Indicate which machine is selected

Significant time saving, avoiding the simultaneous purchase of two welding power sources

Cost reduction

Intuitive and efficient use thanks to the SAXX interface

Flexibility

- Use of manual torches and ppm reader (SPPM-10)
- Use of two gas lines (depending on options chosen in the SAXX)
- Use of two wire dispensers with 2 machines (depending on options chosen in the SAXX)

Compatibility

Use of **all welding machines** compatible with the SAXX power sources *

Possibility of using 2 different machines with 2 different programs

Two gas lines for each machine

(depending on options chosen in the SAXX)

Gas flow adjustment wheels for each connected machine

SAXX connection

Connection for a welding machine

Connection for a second welding machine

U bolt common for both machines

* excluding AVC/OSC systems



NEW

Accessoires SAXX Commutateur



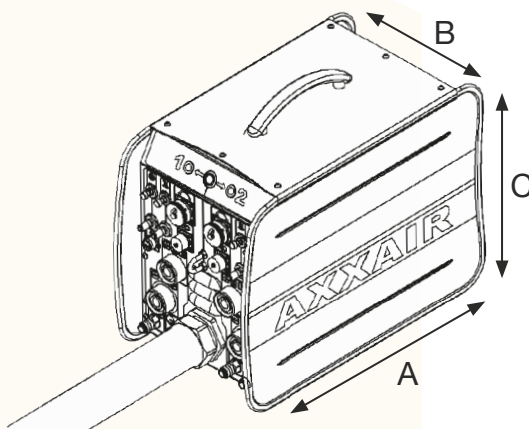
AXXAIR
INNOVATIVE ORBITAL SOLUTIONS



Technical characteristics:

- Power supply 110-230V
- 50-60 Hz (3m cable), 1,9 A max
- Max. welding current: 300A
- Length of the cables between the SASW-DGW and the SAXX: 1,5m
- Cooling circuit common to both machines
- Integrated carry handle
- Possible use of cable extensions (see accessories of welding machines) between the machines and the switchbox between the switchbox and the SAXX
- Version of the SAXX software: V2.40 or higher

- The use of two gas lines is integrated in the SASW-DGW, to be able to use it:
The option «**Second gas line**» must be chosen in the SAXX power source
- The use of wire for one or two machines (two wire feeders can be used):
The option «**Wire feed**» must be chosen in the SAXX power source



| Product Code | Description | Net weight | Dimensions (AxBxC) |
|--------------|-------------|---------------------|--------------------|
| SASW-DGW | Switchbox | 13 kg (with cables) | 467 x 247 x 385 mm |

Compatible with:

- SATF (SATF-M, SATF-ND and SATF-MI), SATO (SATO-M, SATO-ND and SATO-E), SX, SATP, SXMF
- AML models 8, 9 and 95, Polysoude : UHP, MW and MU IV, Orbitalum : Orbiweld and Orbiweld S, ESAB : PRB, Orbitec : OSW

| Product Code | Description |
|--------------|---|
| SASW-CCO | Coupling pipe cooling circuit for Switchbox |

Allows to control 2 machines with different cooling circuits

✓ SAXX-210

✓ SAXX-300

Join **experience**



Orbital welding (SAXX) - Accessories



If you have an AMI orbital welding head, model 8 or 9, you can use them with our SAXX power sources.

To connect the heads to our SAXX power sources, you need an adapter kit. Please choose the kit according to the AMI power source that you have acquired with this head.



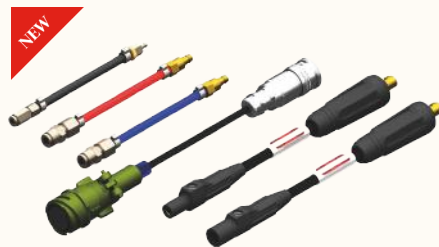
| Product Code | Description | Net weight | Dimensions |
|--------------|-------------|------------|-------------|
| SAFS-ADAMI1 | Adapter kit | 1.2 kg | l : < 40 cm |

Adapter kit for connecting the following heads to SAXX power sources:

- AMI Models 8 and 9, initially connected to the AMI power sources 205, 207, 217 and 217P
- AXXAIR's closed heads SATF-xxMI and SATF-xxMIH

✓ SAXX-210

✓ SAXX-300



| Product Code | Description | Net weight | Dimensions |
|--------------|-------------|------------|-------------|
| SAFS-ADAMI2 | Adapter kit | 1.3 kg | l : < 40 cm |

Adapter kit for connecting the following heads to SAXX power sources:

- AMI Models 8 and 9, initially connected to the AMI power source 307

✓ SAXX-210

✓ SAXX-300



| Product Code | Description | Net weight | Dimensions |
|--------------|-------------|------------|-------------|
| SAFS-ADAMI3 | Adapter kit | 1.3 kg | l : < 40 cm |

Adapter kit for connecting the following heads to SAXX power sources:

- AMI Models 8 and 9, initially connected to the AMI power sources 227, 327 and 415

✓ SAXX-210

✓ SAXX-300



Orbital welding (SAXX) - Accessories



If you have an orbital welding head from another brand and you want to use it with our SAXX power sources, please refer to the adaptation kits below.



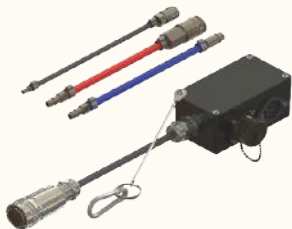
| Product Code | Description | Net weight | Dimensions |
|--------------|-------------|------------|------------|
| SAFS-ADORB11 | Adapter kit | 1.2 kg | L < 50 cm |

Adapter kit for connecting the following heads to SAXX power sources:

- Orbitalum ORBITALWELD models : ORBIWELD38S, ORBIWELD76S and ORBIWELD115S

✓ SAXX-210

✓ SAXX-300



| Product Code | Description | Net weight | Dimensions |
|--------------|-------------|------------|------------|
| SAFS-ADPOLY1 | Adapter kit | 0.9 kg | L < 50 cm |

Adapter kit for connecting the following heads to SAXX power sources:

- MW Polysoude models (MW40, MW 65, MW115, MW170, MU IV 38, MU IV 115, UHP250, UHP500 and UHP1500)

✓ SAXX-210

✓ SAXX-300



| Product Code | Description | Net weight | Dimensions |
|----------------|-------------|------------|------------|
| SAFS-ADORBITEC | Adapter kit | 0.3 kg | L < 50 cm |

Adapter kit for connecting the following heads to SAXX power sources:

- Orbitec models: OSW40, OSW80 and OSW170

✓ SAXX-210

✓ SAXX-300



| Product Code | Description | Net weight | Dimensions |
|--------------|-------------|------------|------------|
| SAFS-ADESAB | Adapter kit | 0.5 kg | L < 50 cm |

Adapter kit for connecting the following heads to SAXX power sources:

- ESAB models: PRB17-49, PRB33-90 and PRB60-170

✓ SAXX-210

✓ SAXX-300



Orbital welding (SAXX) - Accessories



| Product Code | Description | Net weight | Dimensions (in cm) |
|--------------|-------------|------------|--------------------|
| SAFS-AD01 | Adaptor | 0.411 kg | l : < 35 cm |

Adaptors for connecting the following AXXAIR welding heads to our former **SASL** power sources:

- SATF-xxNDX
- SATF-xxNDHX
- SATO-xxE41 - SATO-xxE42 - SATO-xxE43 - SATO-xxE44

✓ SASL-xxx



| Product Code | Description | Net weight | Dimensions (in cm) |
|--------------|-------------|------------|--------------------|
| SAFS-AD02 | Adaptateur | 0.48 kg | l : 35 cm |

Adaptors for connecting the former generation of AXXAIR welding heads to **SAXX** power sources:

- SATF-xxND
- SATO-xxE01 et SATO-xxE02

✓ SAXX-210

✓ SAXX-300



| Product Code | Description | Net weight | Packaging (in cm) |
|--------------|--------------------|------------|-------------------|
| SAMD-NL | Pressure regulator | 1.1kg | 16 x 14.5 x 17 |

Pressure regulator 30 l / min compatible with:

- Finland, Netherlands, Sweden, Denmark

✓ SAXX-210

✓ SAXX-300



| Product Code | Description | Net weight | Packaging (in cm) |
|--------------|--------------------|------------|-------------------|
| SAMD-FR | Pressure regulator | 1.1kg | 16 x 14.5 x 17 |

Pressure regulator 30 l / min compatible with:

- Algeria, Angola, France, Greece, Syria, Tunisia, Sudan, Lebanon, Morocco, Portugal, Gabon, Ivory Coast, Senegal, Chad, Mauritania, Congo, Guinea, Mali, Belgium

✓ SAXX-210

✓ SAXX-300



Orbital welding (SAXX) - Accessories



| Product Code | Description | Net weight | Packaging (in cm) |
|--------------|--------------------|------------|-------------------|
| SAMD-AL | Pressure regulator | 1.1kg | 16 x 14.5 x 17 |

Pressure regulator 30 l / min compatible with:

- Germany, Austria, Bosnia Herzegovina, Croatia, Hungary, Israel, Switzerland, Macedonia, Montenegro, Poland, Serbia, Slovenia, Korea, Czech Republic

✓ SAXX-210

✓ SAXX-300



| Product Code | Description | Net weight | Packaging(in cm) |
|--------------|--------------------|------------|------------------|
| SAMD-UK | Pressure regulator | 1.1kg | 16 x 14.5 x 17 |

Pressure regulator 30 l/min compatible with:

- South Africa, Saudi Arabia, Brunei, Egypt, United Arab Emirates, Hong Kong, India, Singapore, Yemen, Indonesia, Iraq, Ireland, Jordan, Kuwait, Liberia, Libya. Sri Lanka, Malaysia, Malta, New Zealand, Nigeria, Pakistan, Peru, United Kingdom, Vietnam

✓ SAXX-210

✓ SAXX-300



| Product Code | Description | Net weight | Dimensions (in cm) |
|--------------|------------------|------------|--------------------|
| SATMX-E | TIG Manual torch | 2.1kg | 22 x 22 x 22 |

TIG Manual torch water cooled:

- Allows manual tacking and welding with the SAXX power sources

✓ SAXX-210

✓ SAXX-300



| Product Code | Description | Net weight | Dimensions (in cm) |
|--------------|----------------|------------|--------------------|
| SADF2X | Wire dispenser | 12 kg | 59.7 x 38.4 x 24 |

Wire feeder for SAXX, cable sheath 5 m max:

- Supplied with SAXX power supply-connection cable and teflon sheath to guide the wire
- Drive pressure adjusted by adjustable spring, with handle.

✓ SAXX-210

✓ SAXX-300



Orbital welding (SAXX) - Consumables

AXXAIR

INNOVATIVE ORBITAL SOLUTIONS



| Product Code | Description | Net weight | Packaging (in cm) |
|--------------|----------------|------------|-------------------|
| SACW-CO06 | Cooling liquid | 3.3kg | 15 x 15 x 27 |

Cooling liquid (3l container).

The cooling is not directly delivered with the power source.

✓ SAXX-210

✓ SAXX-300



| Product Code | Description | Net weight | Packaging (in cm) |
|--------------|---------------|------------|-------------------|
| SIMP-02 | Printer rolls | 0.7kg | 29 x 9.5 x 5 |

Rolls for integrated printer (set of 10)

✓ SAXX-210

✓ SAXX-300



| Product Code | Description | Net weight | Packaging (in cm) |
|--------------|-------------|------------|-------------------|
| SUSBX210 | USB stick | 0.02kg | 6 x 2 x 1 |

USB stick for **SAXX-210**:

USB stick with software for recording welding programmes and the WeldReport

✓ SAXX-210

SAXX-300



| Product Code | Description | Net weight | Packaging (in cm) |
|--------------|-------------|------------|-------------------|
| SUSBX300 | USB stick | 0.02kg | 6 x 2 x 1 |

USB stick for **SAXX-300**:

USB stick with software for recording welding programmes and the WeldReport

SAXX-210

✓ SAXX-300



Knowing our customers and their needs, anticipating and meeting their expectations by always proposing the best solution: this is AXXAIR's objective. Please do not hesitate to contact us for all enquiries relating to our products and services.

✓ Advice and estimates

Advise and support you and offer the best overall system for your requirements and applications.



✓ Samples

Create your samples as required from your tubes and requirements.



✓ Rental

Rental of our orbital machines from our rental equipment.



✓ Demonstrations

Organize demonstrations on your sites or via video conference from our showroom.



✓ Training

Orbital technology training on your sites or on our own. Leave with your training certificate.



✓ Repairs and maintenance

Find a solution to your problems and repair your machines as soon as possible.

Count on our after-sales service, always listening to you!



AXXAIR FRANCE

(Head office)

330B Route de Portes Les Valence
- ZI Les Bosses -
26800 Etoile sur Rhône
Tél: +33 475 575 070
Fax: +33 475 575 080
commerce@axxair.com
www.axxair.com

AXXAIR DEUTSCHLAND

Ostmarkstr,15
76437 RASTATT
Tel : +49 7222 9355 100
info@axxair.de
www.axxair.de

AXXAIR CHINA

1208, 12F, #D 7001 Zhongchun RD,
Minhang Dist,
Shanghai, China (201101)
Tel : + 86 21 5429 1891
axxair-shanghai@hanmail.net
www.axxairchina.com

AXXAIR ASIA

102-1301, Bucheon Technopark
#36-1 Samjeong-dong, Ojeong-gu,
Bucheon-si Gyeonggi-do
Tel : (82) 32 624 2870
axxair-asia@axxair.com
www.axxairasia.com

AXXAIR USA, Inc

4380 Mustang Road
Alvin, TX 77511
Tel : (+1) 281-968-7138
info@axxair.com
www.axxairusa.com

*Contact us or visit
our website*
www.axxair.com

To find a qualified AXXAIR
partner in your country!

Follow our news

Discover our advice and our expertise in orbital technology
through our specialized blog:



Join us on on social network accounts

