

MATHEY DEARMAN®

MARCH 2022

COMPLETE BROCHURE (INSIDE THE AMERICA'S)

PIPE FLAME CUTTING AND BEVELLING



PIPE ALIGNMENT AND REFORMING CLAMPS



PIPE RIGGING EQUIPMENT





SPECIALIZED FABRICATION EQUIPMENT GROUP

Introduction to S.F.E. Group

S.F.E. Group was founded in 2019 after the merger of three world leading OEM's in the field of pipe fabrication tooling and machinery: B&B Pipe and Industrial Tools LLC (USA), Mathey Dearman Inc. (USA) and TAG Pipe Equipment Specialists (UK). Most recently the S.F.E Group has completed the acquisition of the AXXAIR Group (France).

S.F.E. Group offers a wide range of products and is continuously exploring new product design and development, as well as add-on acquisitions to enhance its portfolio and to fulfil increasing industries' demands.

With offices and warehousing on 4 continents, 120 employees and more than 250 partnerships and distributors worldwide, S.F.E. Group prides itself in consistently offering the highest standard of both product quality and service to all its customers.

S.F.E. Group looks forward to welcoming you into its global network as a partner, distributor or end user customer and remains at your disposal at any time.



UNITED STATES HEAD OFFICE - HOUSTON



INTERNATIONAL HEAD OFFICE - FRANCE

OUR BRANDS

| | | | | | |
|--|--|---|---|---|--|
| Where There's Pipe, There's Mathey! PIPE FLAME CUTTING AND BEVELLING PIPE ALIGNMENT AND REFORMING CLAMPS PIPE RIGGING EQUIPMENT www.MATHEY.COM | The Pipe Fabricators Source PIPE JACK AND STANDS MEGA ROLLERS AND STANDS MATERIAL HANDLING EQUIPMENT CYLINDER / BOTTLE CRIBS www.BBPIPETOOLS.COM | PIPE EQUIPMENT SPECIALISTS World Leading Manufacturer of Pipe Beveling and Cutting Machines PIPE BEVELLING MACHINES PIPE COLD CUTTING MACHINES www.TAG-PIPE.COM | Innovative Orbital Solutions ORBITAL CUTTING / BEVELLING AND FACING ORBITAL WELDING www.AXXAIR.COM | Purging Solutions for the perfect pipe weld! PIPE DEBURRING SYSTEMS LARGE DIAMETER WELDING PIPE CLEANERS www.PURGEMASTERS.COM | The Pipe Fitters Companion FIT-UP AND ALIGNMENT TOOLS LAYOUT AND MARKING TOOLS www.FIT-UP-PRO.COM |
|--|--|---|---|---|--|



Introduction to Mathey Dearman

The company Mathey Dearman was originally founded in the United States in the 1930's. During the first decades its founder C.A Mathey developed patented saddle-type portable pipe cutting and bevelling machines and clamping, aligning and reforming systems for pipes. Mathey Dearman became rapidly a worldwide recognized authority within its field and is still today setting the benchmark and being the point of reference for many applications.

With the merger in 2019 of B&B Pipe and Industrial Tools LLC (USA), Mathey Dearman Inc. (USA) and TAG Pipe Equipment Specialists (UK) and the recent addition in 2022 of AXXAIR (France) into Specialized Fabrication Equipment (S.F.E.) Group, the various product groups offered by the original manufacturers have been re-aligned and integrated into the overall S.F.E. Group product range whilst keeping their own brand identity.

The Mathey Dearman brand portfolio consists of a comprehensive range of pipe equipment: **pipe flame cutting and bevelling machines, pipe alignment and reforming clamps, pipe rigging equipment and Fit-Up Pro's range of fit-up, alignment, layout and marking tools.**

With the Mathey Dearman brand, S.F.E. Group not only wishes to highlight the focus on this particular product line, but also supply the growing demand and diverse applications in the industries that it already serves and intertwine with other product applications within S.F.E. Group.

As an OEM and backed with over 80 years of development, S.F.E. Group prides itself being renowned for its innovations, ground-breaking developments and creative designs within the Mathey Dearman product range. With its engineering capabilities, customer-oriented focus and flexibility, the Mathey Dearman brand provides the possibility to design out-of-the-box pipe machining and tooling solutions to fulfil customers' projects' specific needs in particular and to cater for an ever-evolving industry in general.

Mathey Dearman products are available from the international S.F.E. Group branches on 4 continents, as well as from S.F.E. Group's extensive and continuously expanding global network of partners and distributors.

**Where there's pipe, there's Mathey.
Get in touch for all your piping applications.**



PIPE FLAME CUTTING AND BEVELLING



Mathey Dearman manufactures multiple flame and plasma pipe cutters and bevellers and are recognized as the leader in this product category. These machines are used across multiple fabrication projects, most commonly found in the energy construction markets.

PIPE ALIGNMENT AND REFORMING CLAMPS



With continuous improvement and new additions, Mathey Dearman is now offering the most complete line in the industry of pipe alignment and reforming clamps.

PIPE RIGGING EQUIPMENT



A new line of pipe rigging products is offered under the Mathey Dearman brand. Pipe slings and cradles, pipe launchers and rigging rollers add focus on a complimentary pipeline product category to Mathey Dearman's range of aligning and reforming clamps and flame and plasma pipe cutting and bevelling machines.

TABLE OF CONTENTS

| | |
|---|-----------|
| Introduction to S.F.E. Group..... | 2 |
| Introduction to Mathey Dearman | 3 |
| Mathey Dearman Pipe flame cutting and bevelling..... | 5 |
| Saddle machine motorized / manual | 6 |
| Saddle machine accessories..... | 10 |
| E-Z pipecut manual | 13 |
| E-Z pipecut auto | 14 |
| E-Z pipecut magnetic | 15 |
| Band crawler cutting and bevelling machine | 16 |
| Band crawler better bands..... | 18 |
| Mathey Dearman Pipe alignment and reforming clamps..... | 19 |
| Sturdi pipe chain clamp | 20 |
| Double jackscrew chain clamp <i>(Only available in the USA)</i> | 22 |
| Double chain clamp | 24 |
| Rim clamp | 26 |
| Manual lever cage clamp | 28 |
| Ratchet and hydraulic cage clamps | 29 |
| Super clamp | 30 |
| Sleeve clamp | 31 |
| Mathey Dearman Pipe rigging equipment | 32 |
| Slings and cradles..... | 33 |
| Pipe launchers..... | 34 |
| Beam clamp rollers | 35 |



SPECIALIZED FABRICATION EQUIPMENT
GROUP

*Our group policy is one of continuous improvements and acquisitions.
Products and data tables are subject to change or vary from those illustrated.*

OUR BRANDS



MATHEY DEARMAN®

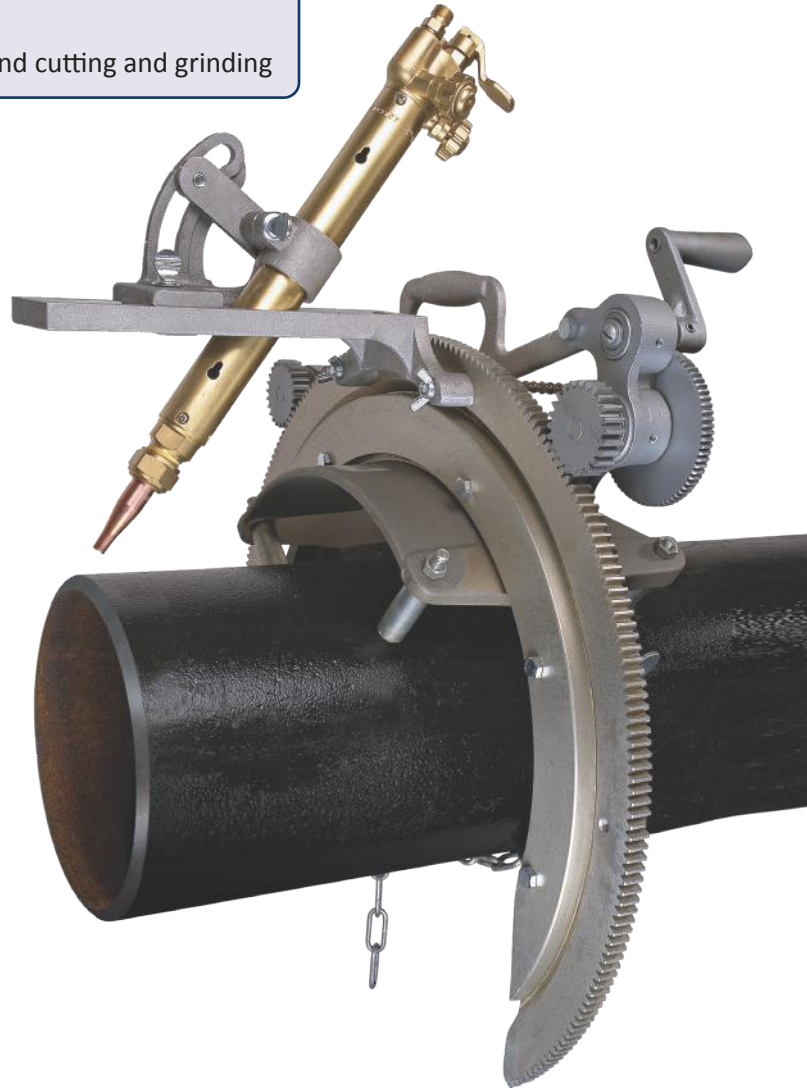
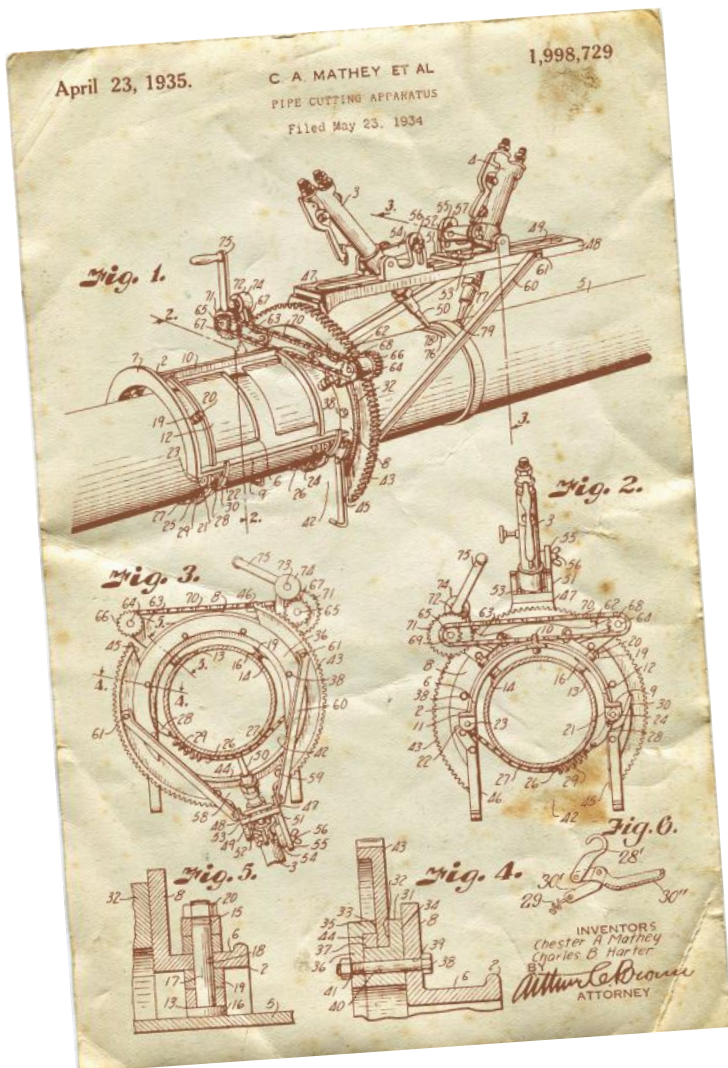
PIPE FLAME CUTTING AND BEVELLING



The industry standard for over 90 years, the Mathey Dearman saddle machine is versatile, simple to use, and perfect for almost any pipe cutting and beveling application. Lightweight and durable, the Mathey Dearman machine is designed for accurate, quality cuts on 1½" - 48" (38 mm - 1,219 mm) pipes.

- Versatile** - Every model works on a range of pipe sizes
- Adaptable** - Works with all standard torches, including plasma
- Portable** - Light and compact, perfect for shop or field applications
- Easy Set-Up** - Mount and begin cutting in as little as 5 minutes
- Proven** - Depended on by professionals for over 70 years
- Fast** - Pipe is ready to weld up to five times quicker than hand cutting and grinding

Mathey Dearman has been the leader in pipe cutting since its invention of the saddle machine in 1934.



Manual saddle machine includes:

- Saddle machine
- Torch arm
- Torch carrier assembly
- Boomer assembly (fastens the machine to the pipe)
- Spacer bolt set
- Parts and operating manual

Note: Machine torches sold separately.



Want the easiest way to get a perfect cut every time?

Motorized saddle machines from Mathey Dearman are precise and fast, delivering smooth cuts requiring little or even no grinding.

Both experienced and inexperienced welders can benefit from the increased productivity (up to 5 times quicker!) and cut quality of motorized saddle machines compared to traditional hand-cutting or manual machines.

Motorized PLASMASPEED saddle machines can use 110/230 VAC for pipe sizes 1½" - 48" (38 - 1,219 mm) and can operate at increased cutting speeds to use powerful plasma torches.

It's what Mathey Dearman calls PLASMASPEED!

Motorized saddle machine includes:

- 110/230 VAC motorized saddle machine
- Torch arm
- Torch carrier assembly
- Boomer assembly (fastens the machine to the pipe)
- Spacer bolt set
- Parts and operating manual
- Mounting bracket
- Right-angle precision stepper motor
- Motor control box
- Plasma communication cable

Note: Machine torches sold separately - machine shown with optional step spacers and pro model torch.



Conventional cutting vs saddle cutting time

Hand cutting

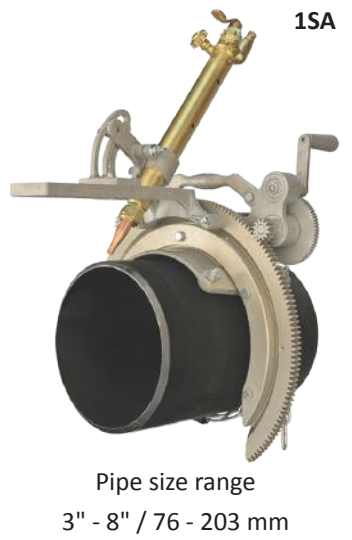
Time: 30 minutes

- 8" schedule 40 pipe being cut by hand.
Time includes measuring, cutting and grinding
- Longer than necessary layout time
- Excessive amount of time to cut the pipe
- Inaccurate/uneven cut requiring grinding
- Extended fit-up time
- Uneven weld gap

Mathey Dearman cutting

Time: 6 minutes

- 8" schedule 40 Pipe being cut with a 1SA manual saddle machine
- Perfect cut
- No grinding
- Perfect fit-up



Manual saddle machines

| MACHINE MODEL | MSA | 1SA | 2SA |
|--------------------------|-------------|-------------|-------------|
| Manual with spacer bolts | 03.0100.000 | 03.0101.000 | 03.0102.000 |
| Manual with step spacers | n/a | 03.01S1.000 | 03.01S2.000 |

Motorized saddle machines / PLASMASPEED

| MACHINE MODEL | MSA | 1SA | 2SA |
|---|-------------|-------------|-------------|
| Motorized with spacer bolts 115/230 VAC | 03.0100.S01 | 03.0101.S01 | 03.0102.S01 |
| Motorized with step spacers 115/230 VAC | n/a | 03.01S1.S01 | 03.01S2.S01 |

PLASMASPEED retrofit kits

| MACHINE MODEL | MSA | 1SA | 2SA |
|---------------------------------------|-------------|-------------|-------------|
| PLASMASPEED retrofit kits 115/230 VAC | 03.0100.SA1 | 03.0101.SA1 | 03.0101.SA1 |

General specifications

| MACHINE MODEL | MSA | 1SA | 2SA |
|---|---|--|---|
| Pipe size in (mm) | 2" - 4" (50 - 102 mm) | 3" - 8" (76 - 203 mm) | 6" - 12" (152 - 305 mm) |
| Net weight lbs. / kg | 10 lbs. / 5.00 kg | 16 lbs. / 7.00 kg | 26 lbs. / 12.00 kg |
| Estimated shipping weight lbs. / kg | 12 lbs. / 5.40 kg | 24 lbs. / 11.00 kg | 34 lbs. / 15.50 kg |
| Shipping dimensions in (mm) | 12" x 12" x 10" (305 x 305 x 254 mm) | 18" x 18" x 11½" (457 x 457 x 492 mm) | 23" x 23" x 12½" (584 x 584 x 318 mm) |
| Maximum speed (motorized) ipm* / mpm** | 141 / 3581 | 71 / 1803 | 89 / 2261 |
| Minimum speed (motorized) ipm* / mpm** | 4 / 102 | 4 / 102 | 6 / 152 |
| Includes spacer bolts to cut pipe sizes | 2", 3", 4" (51, 76, 102 mm) | 3", 4", 6", 8" (76, 102, 152, 203 mm) | 6", 8", 10", 12" (152, 203, 254, 305 mm) |

* inches per minute | ** millimeters per minute



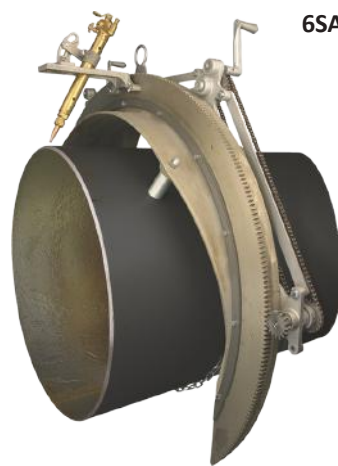
4SA

Pipe size range
20" - 26" / 508 - 660 mm



5SA

Pipe size range
24" - 30" / 610 - 762 mm



6SA

Pipe size range
28" - 36" / 711 - 914 mm



8SA

Pipe size range
36" - 48" / 914 - 1,219 mm

| 3SA | 4SA | 5SA | 6SA | 8SA |
|-------------|-------------|-------------|-------------|-------------|
| 03.0103.000 | 03.0104.000 | 03.0105.000 | 03.0106.000 | 03.0108.000 |
| 03.0153.000 | n/a | n/a | n/a | n/a |

| 3SA | 4SA | 5SA | 6SA | 8SA |
|-------------|-------------|-------------|-------------|-------------|
| 03.0103.S01 | 03.0104.S01 | 03.0105.S01 | 03.0106.S01 | 03.0108.S01 |
| 03.0153.S01 | n/a | n/a | n/a | n/a |

| 3SA | 4SA | 5SA | 6SA | 8SA |
|-------------|-------------|-------------|-------------|-------------|
| 03.0103.SA1 | 03.0103.SA1 | 03.0105.SA1 | 03.0105.SA1 | 03.0105.SA1 |

| 3SA | 4SA | 5SA | 6SA | 8SA |
|---|---|---|---|---|
| 12" - 20" (305 - 508 mm) | 20" - 26" (508 - 660 mm) | 24" - 30" (610 - 762 mm) | 28" - 36" (711 - 914 mm) | 36" - 48" (914 - 1,219 mm) |
| 50 lbs. / 22.00 kg | 75 lbs. / 34.00 kg | 110 lbs. / 50.00 kg | 180 lbs. / 82.00 kg | 287 lbs. / 130.00 kg |
| 73 lbs. / 33.00 kg | 150 lbs. / 68.00 kg | 185 lbs. / 84.00 kg | 295 lbs. / 134.00 kg | 537 lbs. / 244.00 kg |
| 34" x 32" x 12" (864 x 813 x 305 mm) | 40½" x 41" x 19" (1,029 x 1,041 x 423 mm) | 40½" x 41" x 19" (1,029 x 1,041 x 423 mm) | 57" x 43" x 18" (1,488 x 1,002 x 483 mm) | 69" x 60" x 21" (1,753 x 1,524 x 533 mm) |
| 47 / 1194 | 53 / 1346 | 34 / 864 | 35 / 889 | 36 / 914 |
| 7 / 178 | 7 / 178 | 8 / 203 | 5 / 127 | 5 / 127 |
| 12", 14", 16", 18", 20" (305, 356, 406, 457, 508 mm) | 20", 22", 24", 26" (508, 559, 610, 660 mm) | 24", 26", 28", 30" (610, 660, 711, 762 mm) | 28", 30", 36" (711, 762, 914 mm) | 36", 38", 40", 42", 48" (914, 964, 1,016, 1,067, 1,219 mm) |

Contour cutting attachment - When cutting a 90° saddle on 8" pipe, the combination of the saddle machine and contour cutting attachment reduces cutting and grinding time by up to 80%.



| MODEL | PIPE SIZE | | PART NO. | PACKAGED WEIGHT | | PACKAGED DIMENSIONS | |
|----------|-----------|----------------|-------------|-----------------|---------|---------------------|----------------------|
| MSA | 1.5" - 4" | 38 - 102 mm | 03.0116.MSA | 7 lbs. | 3.20 kg | 23" x 10" x 9" | 584 x 254 x 229 mm |
| 1 - 2 SA | 3" - 12" | 76 - 305 mm | 03.0116.1SA | 7 lbs. | 3.20 kg | 36" x 12" x 12" | 914 x 305 x 305 mm |
| 3SA | 12" - 20" | 305 - 508 mm | 03.0116.3SA | 9 lbs. | 4.10 kg | 36" x 12" x 12" | 914 x 305 x 305 mm |
| 4SA | 20" - 26" | 508 - 660 mm | 03.0116.4SA | 9 lbs. | 4.10 kg | 36" x 12" x 12" | 914 x 305 x 305 mm |
| 5SA | 24" - 30" | 610 - 762 mm | 03.0116.5SA | 11 lbs. | 5.00 kg | 48" x 12" x 12" | 1,219 x 305 x 305 mm |
| 6SA | 28" - 36" | 711 - 914 mm | 03.0116.6SA | 13 lbs. | 5.90 kg | 48" x 12" x 12" | 1,219 x 305 x 305 mm |
| 8SA | 36" - 48" | 914 - 1,219 mm | 03.0116.8SA | 16 lbs. | 7.20 kg | 48" x 12" x 12" | 1,219 x 305 x 305 mm |

Contour cutting shape templates - Produce perfect miter and saddle cuts with the easy to use Mathey Dearman contour cutting attachment. Simply choose the template for the desired type of cut and the torch will follow the template around the pipe. Contour cutting attachments and templates are available for 1½" - 48" (38 mm - 1,219 mm) pipe.



NOTE: Template form is required prior to order - template cannot be returned

| MODEL | SPACERS FOR PIPE SIZES | | PART NO | PACKAGED WEIGHT | | PACKAGED DIMENSIONS | |
|-------|------------------------|----------------|---------------|-----------------|------------------|---------------------|------------------------|
| MSA | 1.5" - 4" | 38 - 102 mm | 03.0115.M . . | 3.5 - 5 lbs. | 1.60 - 2.30 kg | 12" x 12" x 9" | 305 x 305 x 229 mm |
| 1SA | 3" - 8" | 76 - 203 mm | 03.0115.1 . . | 4.5 - 6 lbs. | 2.00 - 2.70 kg | 18" x 18" x 11" | 457 x 457 x 279 mm |
| 2SA | 8" - 12" | 152 - 305 mm | 03.0115.2 . . | 6 - 8 lbs. | 2.70 - 3.60 kg | 23" x 23" x 13" | 584 x 584 x 330 mm |
| 3SA | 12" - 20" | 305 - 508 mm | 03.0115.3 . . | 11 - 15 lbs. | 5.00 - 7.00 kg | 36" x 12" x 12" | 914 x 305 x 305 mm |
| 4SA | 20" - 26" | 508 - 660 mm | 03.0115.4 . . | 18 - 27 lbs. | 8.00 - 12.00 kg | 36" x 36" x TBD | 914 x 914 x TBD mm |
| 5SA | 24" - 30" | 610 - 762 mm | 03.0115.5 . . | 22 - 31 lbs. | 10.00 - 14.00 kg | 42" x 48" x TBD | 1,067 x 1,219 x TBD mm |
| 6SA | 28" - 36" | 711 - 914 mm | 03.0115.6 . . | 27 - 35 lbs. | 12.00 - 16.00 kg | 48" x 48" x TBD | 1,219 x 1,219 x TBD mm |
| 8SA | 36" - 48" | 914 - 1,219 mm | 03.0115.8 . . | 31 - 40 lbs. | 14.00 - 18.00 kg | 60" x 60" x TBD | 1,524 x 1,524 x TBD mm |

Double torch arm - Reduce set up and cutting time by up to 50% with the double torch arm accessory. By eliminating the need to rotate one torch to obtain a forward or back bevel on the pipe end, the double torch arm dramatically reduces cutting and beveling time.



| MODEL | PIPE SIZE | | PART NO | PACKAGED WEIGHT | | PACKAGED DIMENSIONS | |
|-------|-----------|----------------|-------------|-----------------|---------|---------------------|--------------------|
| 1SA | 3" - 8" | 76 - 203 mm | 03.0101.030 | 5 lbs. | 2.30 kg | 20" x 6" x 6" | 508 x 152 x 152 mm |
| 2SA | 8" - 12" | 152 - 305 mm | 03.0102.015 | 5 lbs. | 2.30 kg | 20" x 6" x 6" | 508 x 152 x 152 mm |
| 3SA | 12" - 20" | 305 - 508 mm | 03.0103.030 | 5 lbs. | 2.30 kg | 23" x 10" x 9" | 584 x 254 x 229 mm |
| 4SA | 20" - 26" | 508 - 660 mm | 03.0104.021 | 5 lbs. | 2.30 kg | 23" x 10" x 9" | 584 x 254 x 229 mm |
| 5SA | 24" - 30" | 610 - 762 mm | 03.0105.025 | 5 lbs. | 2.30 kg | 23" x 10" x 9" | 584 x 254 x 229 mm |
| 6SA | 28" - 36" | 711 - 914 mm | 03.0106.018 | 5.5 lbs. | 2.50 kg | 23" x 10" x 9" | 584 x 254 x 229 mm |
| 8SA | 36" - 48" | 914 - 1,219 mm | 03.0108.014 | 5.5 lbs. | 2.50 kg | 23" x 10" x 9" | 584 x 254 x 229 mm |

Pro model torch arm - Choose the pro model torch arm with the innovative out-of-round roller attachment to create perfect cuts and bevels on oversize, undersize or out-of-round pipe.



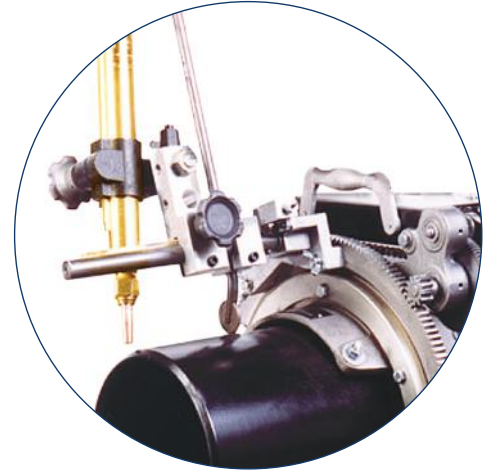
| DESCRIPTION | PART NO | PACKAGED WEIGHT | | PACKAGED DIMENSIONS | |
|-----------------------------|-------------|-----------------|---------|---------------------|--------------------|
| Pro model with out of round | 03.0209.000 | 9.50 lbs. | 4.30 kg | 16" x 8" x 8" | 406 x 203 x 203 mm |
| Pro model basic assembly | 03.0209.001 | 7 lbs. | 3.20 kg | 16" x 8" x 8" | 406 x 203 x 203 mm |
| Tracer point | 03.0209.012 | 1.60 lbs. | 0.70 kg | 12" x 6" x 6" | 305 x 152 x 152 mm |

Torch holders that can accommodate up to 2" barrel diameter torches are available

Out-of-round roller attachment

The out-of-round roller attachment kit, that can be fitted on the pro model torch arm, compensates for oversize and undersize pipe, handling out-of-round conditions up to ¼" (6 mm).

This separate attachment comes with all required parts and assembly instructions.

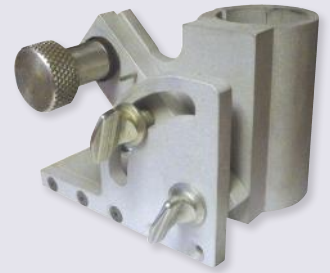


Pro model with out-of-round roller attachment kit installed

| DESCRIPTION | PART NO | PACKAGED WEIGHT | | PACKAGED DIMENSIONS | |
|------------------|-------------|-----------------|---------|---------------------|--------------------|
| Out of round kit | 03.0209.003 | 2.50 lbs. | 1.10 kg | 12" x 6" x 6" | 305 x 152 x 152 mm |

Cam-adjustable torch carrier

The cam-adjustable torch carrier makes it simple to make perfect, no-notch cuts, every time. Just start the cut away from the desired cut line, use the knurled cam adjustment knob to move the torch into the cut line then start cutting. In addition, the torch holder's large wing screw makes tightening the torch in the torch holder easy, even when wearing gloves. The innovative design even allows forward or back-beveling without the need to reverse the torch holder in the torch arm.



ITEM NO. 03.0100.052

Saddle machine storage box

Store and help protect the saddle machine, torch, torch arm, torch carrier, spacer bolts and parts and operating manual in this specially-designed storage box.

MSA, 1SA, and 2SA storage boxes are made of 16 gauge, powder-coated steel, with attached lifting handles.

Storage boxes for saddle machines larger than the 3SA are made of plywood with reinforced corners and edges.



| MODEL | PART NO | DIMENSIONS | | MANUAL OR MOTORIZED | BOX TYPE | PACKAGED WEIGHT | |
|-------|-------------|-----------------|------------------------|---------------------|----------|-----------------|-----------|
| MSA | 03.0100.BOX | 17" x 17" x 17" | 432 x 432 x 432 mm | Manual only | Metal | 23 lbs. | 11.00 kg |
| 1SA | 03.0101.BOX | 20" x 18" x 17" | 205 x 457 x 432 mm | Manual only | Metal | 33 lbs. | 15.00 kg |
| 2SA | 03.0102.BOX | 25" x 22" x 18" | 635 x 559 x 457 mm | Manual only | Metal | 41 lbs. | 19.00 kg |
| 3SA | 03.0103.BOX | 34" x 34" x 14" | 864 x 864 x 356 mm | Manual or motorized | Wood | 60 lbs. | 27.00 kg |
| 4SA | 03.0104.BOX | 40" x 38" x 14" | 1,016 x 965 x 356 mm | Manual or motorized | Wood | 75 lbs. | 34.00 kg |
| 5SA | 03.0105.BOX | 42" x 40" x 14" | 1,067 x 1,016 x 356 mm | Manual or motorized | Wood | 75 lbs. | 34.00 kg |
| 6SA | 03.0106.BOX | 56" x 48" x 16" | 1,422 x 1,219 x 406 mm | Manual only | Wood | 175 lbs. | 79.00 kg |
| 8SA | 03.0108.BOX | 70" x 56" x 19" | 1,778 x 1,422 x 483 mm | Manual only | Wood | 250 lbs. | 102.00 kg |

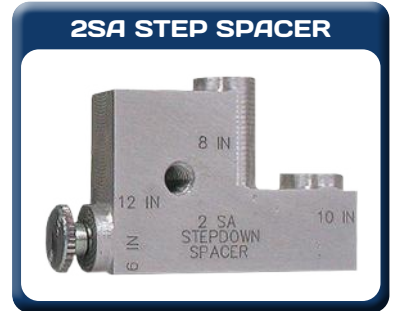
* No spacers required for 4" pipe set up

Self-storing step-down spacer

Combining multiple spacer bolt sizes into one easy-to-use part, the step-down spacers are machined to the same tolerances as spacer bolts. Each step spacer covers a range of four (4) pipe sizes; eliminating the need to store 16 spacer bolts. No more searching for lost or misplaced spacer bolts with high quality aluminum alloy or stainless steel self-storing step-down spacers.

Step spacer kit

| DESCRIPTION | PART NO | FOR PIPE SIZES | | PACKAGED WEIGHT | |
|------------------|----------------|----------------------------|--|-----------------|---------|
| 1SA Step Spacers | 03.0110.1SAKIT | 3", 4", 6", 8" | 76 mm, 102 mm, 152 mm, 203 mm | 1.60 lbs. | 0.70 kg |
| 2SA Step Spacers | 03.0110.2SAKIT | 6", 8", 10", 12" | 152 mm, 203 mm, 254 mm, 305 mm | 1.60 lbs. | 0.70 kg |
| 3SA Step Spacers | 03.0110.3SAKIT | 12", 14", 16", 18", 20" | 305 mm, 356 mm, 406 mm, 457 mm, 508 mm | 1.60 lbs. | 0.70 kg |



Step spacers (individual)

| DESCRIPTION | PART NO | FOR PIPE SIZES | | PACKAGED WEIGHT | |
|-----------------|-------------|----------------------------|--|-----------------|---------|
| 1SA Step Spacer | 03.0110.1SA | 3", 4", 6", 8" | 76 mm, 102 mm, 152 mm, 203 mm | 0.40 lbs. | 0.20 kg |
| 2SA Step Spacer | 03.0110.2SA | 6", 8", 10", 12" | 152 mm, 203 mm, 254 mm, 305 mm | 0.40 lbs. | 0.20 kg |
| 3SA Step Spacer | 03.0110.3SA | 12", 14", 16", 18", 20" | 305 mm, 356 mm, 406 mm, 457 mm, 508 mm | 0.40 lbs. | 0.20 kg |



Saddle machine spacer bolts

Spacer Bolt Kits include the spacer bolts in one handy container available for any Mathey Dearman saddle machine model. An actual-size diagram is located on the lid, making finding the correct Spacer Bolts quick and easy. All spacer bolts are precision-machined for maximum cutting accuracy and labeled with the Mathey Dearman logo and item number for quick identification.

Actual size is shown on box lid for quick spacer bolt identification.

Spacer bolts can be replaced individually or in sets.

Step spacers (individual)

| DESCRIPTION | PART NO | FOR PIPE SIZES | | PACKAGED WEIGHT | |
|-------------|-------------|-------------------------|--|-----------------|---------|
| MSA | 03.0MSA.KIT | 2", 3" | 51 mm, 76 mm | 1 lbs. | 0.50 kg |
| 1SA | 03.01SA.KIT | 3", 4", 6", 8" | 76 mm, 102 mm, 152 mm, 203 mm | 4 lbs. | 1.80 kg |
| 2SA | 03.02SA.KIT | 6", 8", 10", 12" | 152 mm, 203 mm, 254 mm, 305 mm | 5 lbs. | 2.30 kg |
| 3SA | 03.03SA.KIT | 12", 14", 16", 18", 20" | 305 mm, 356 mm, 406 mm, 457 mm, 508 mm | 9 lbs. | 4.10 kg |
| 4SA | 03.04SA.KIT | 20", 22", 24", 26" | 508 mm, 559 mm, 610 mm, 660 mm | 10 lbs. | 4.50 kg |
| 5SA | 03.05SA.KIT | 24", 26", 28", 30" | 610 mm, 660 mm, 711 mm, 762 mm | 10 lbs. | 4.50 kg |
| 6SA | 03.06SA.KIT | 28", 30", 36" | 711 mm, 762 mm, 914 mm | 20 lbs. | 9.00 kg |
| 8SA | 03.08SA.KIT | 36", 38", 40", 42", 48" | 916 mm, 964 mm, 1,016 mm, 1,069 mm, 1,219 mm | 20 lbs. | 9.00 kg |

* No spacers required for 4" pipe set up

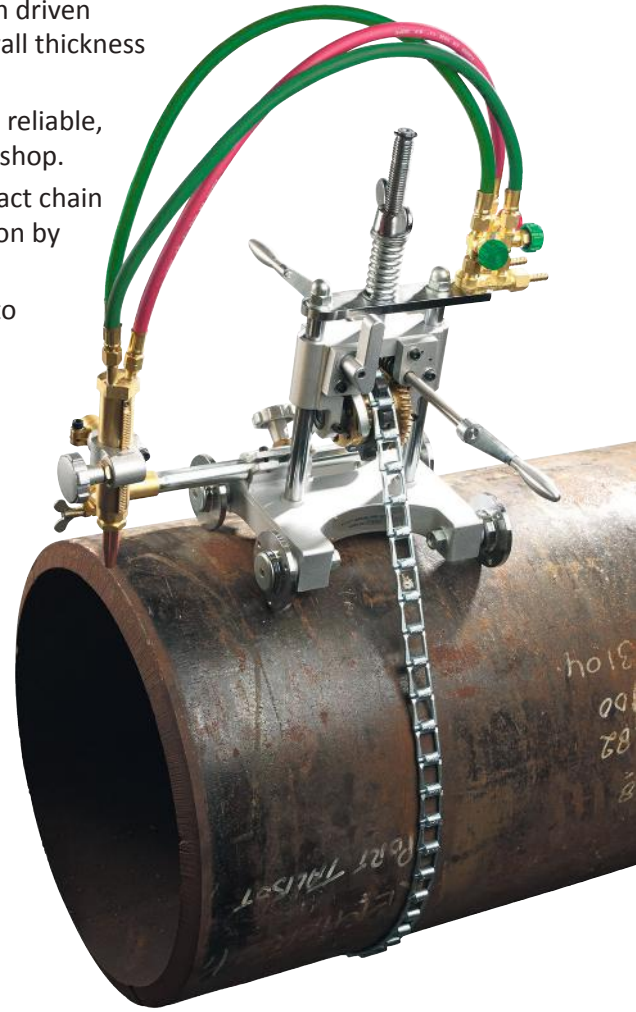
Mathey Dearman's E-Z Pipecut portable oxy-fuel cutting and bevelling chain driven machines are the economical solution for cutting and bevelling pipe with wall thickness 5 mm up to 50 mm.

The Mathey Dearman E-Z Pipecut Manual is small and compact, strong and reliable, used by contractors, welders and pipe fitters, equally on-site or in the workshop.

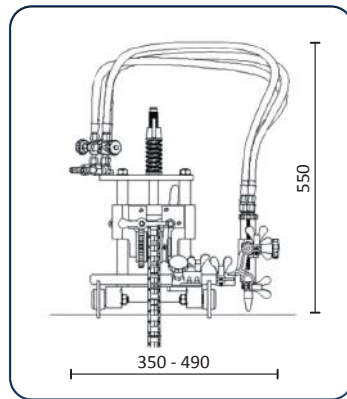
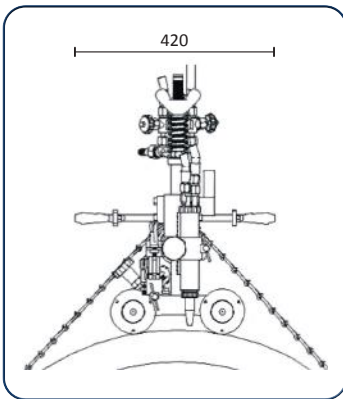
The E-Z Pipecut Manual portable is a straight forward hand operated compact chain - driven pipe cutting machine that provides a smooth, accurate cutting action by incorporating a low gear ratio and worm wheel drive.

The machine also features a quick-release clutch, that allows the operator to disengage the chain from the drive cog for rapid set up and positioning.

The bevelling head angle (up to 45°) can be set quickly and accurately by scale on a rack and pinion.



* Outside the USA the green hoses will be blue



Guide band

For guaranteed square cuts and bevels on pipe diameters larger than 600 mm, using the optional guide band system to suit the relevant pipe size(s) is recommended.

E-Z Pipecut Manual includes:

- Cutting machine E-Z Pipecut manual
- Standard chain for cutting pipe diameter of 4½" - 24" / 114 - 600 mm
- Operation instructions

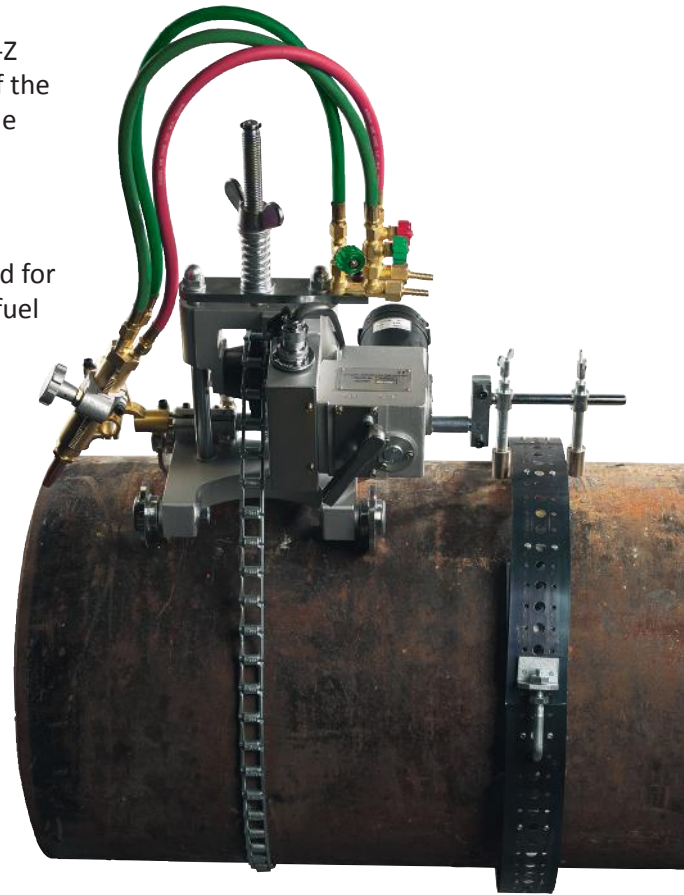
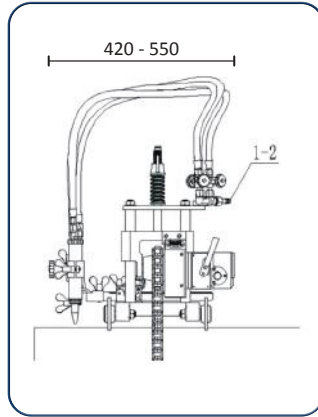
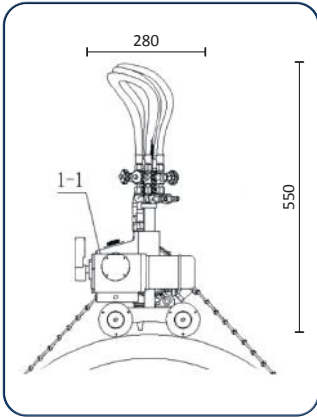
Technical specification

| Part No | EZPCM |
|--------------------|--|
| Power supply | Manual driven unit |
| Pipe diameter | Up to 600 mm (in standard configuration) |
| Wall thickness | 5 - 50 mm |
| Torch | Universal nozzle-mix torch suitable for all nozzle-mix cutting nozzle (nozzles not included) |
| Cut/bevel angle | Variable up to 45° |
| Vertical torch +/- | 50 mm |
| Lateral torch +/- | 100 mm |
| Track width | 230 mm |
| Weight | 8.50 kg / 18.70 lbs. |
| Dimensions | 350 (l) x 420 (w) x 550 (h) mm |

The Mathey Dearman E-Z Pipecut Auto is the powered version of the E-Z Pipecut Manual. Once the speed is set correctly to the wall thickness of the pipe the machine can be driven around the pipe with a speed adjustable remote control.

The E-Z Pipecut Auto will cut and bevel the pipe without the need for intervention from the operator.

The E-Z Pipecut Auto portable oxy-fuel cutting machine can also be used for cutting exotic materials such as stainless steel, by converting from oxy-fuel to a plasma system (plasma torch holder available on request).



Guide band

For guaranteed square cuts and bevels on pipe diameters larger than 600 mm, using the optional guide band system to suit the relevant pipe size(s) is recommended.

Remote control



*** Outside the USA the green hoses will be blue**

E-Z Pipecut Auto includes:

- Pipe cutting machine E-Z Pipecut Auto
- Standard chain for cutting pipe diameter of 114 - 600 mm
- Connecting lead (5 m)
- Remote control
- Transformer 110v - 220v
- Operation instructions

Technical specification

| | |
|--------------------|--|
| Part No | EZPCA1: 110v / EZPCA2: 220v |
| Power supply | 230v / 110v / 50 - 60Hz |
| Pipe diameter | Up to 600 mm (in standard configuration) |
| Wall thickness | 5 - 50 mm |
| Torch | Universal nozzle-mix torch suitable for all nozzle-mix cutting nozzle (nozzles not included) |
| Cut/bevel angle | Variable up to 45° |
| Vertical torch +/- | 50 mm |
| Lateral torch +/- | 100 mm |
| Track width | 230 mm |
| Cutting speed | 50 - 1,150 mm/min |
| Weight | 16.00 kg / 36 lbs. |
| Dimensions | 420 (l) x 280 (w) x 550 (h) mm |

The Mathey Dearman E-Z Pipecut Magnetic is the economical solution for cutting and bevelling pipe from 350 mm upwards. The machine is small and compact, strong and reliable, used by contractors, welders and pipe fitters, equally on site as in the workshop.

Two sets of magnetic, electrically driven roller wheels are housed inside the body of the machine. These rollers (offering a magnetic absorbability force of over 50 kg) ensure the machine stays in contact with the pipe as it travels around the circumference, cutting and bevelling as it goes.



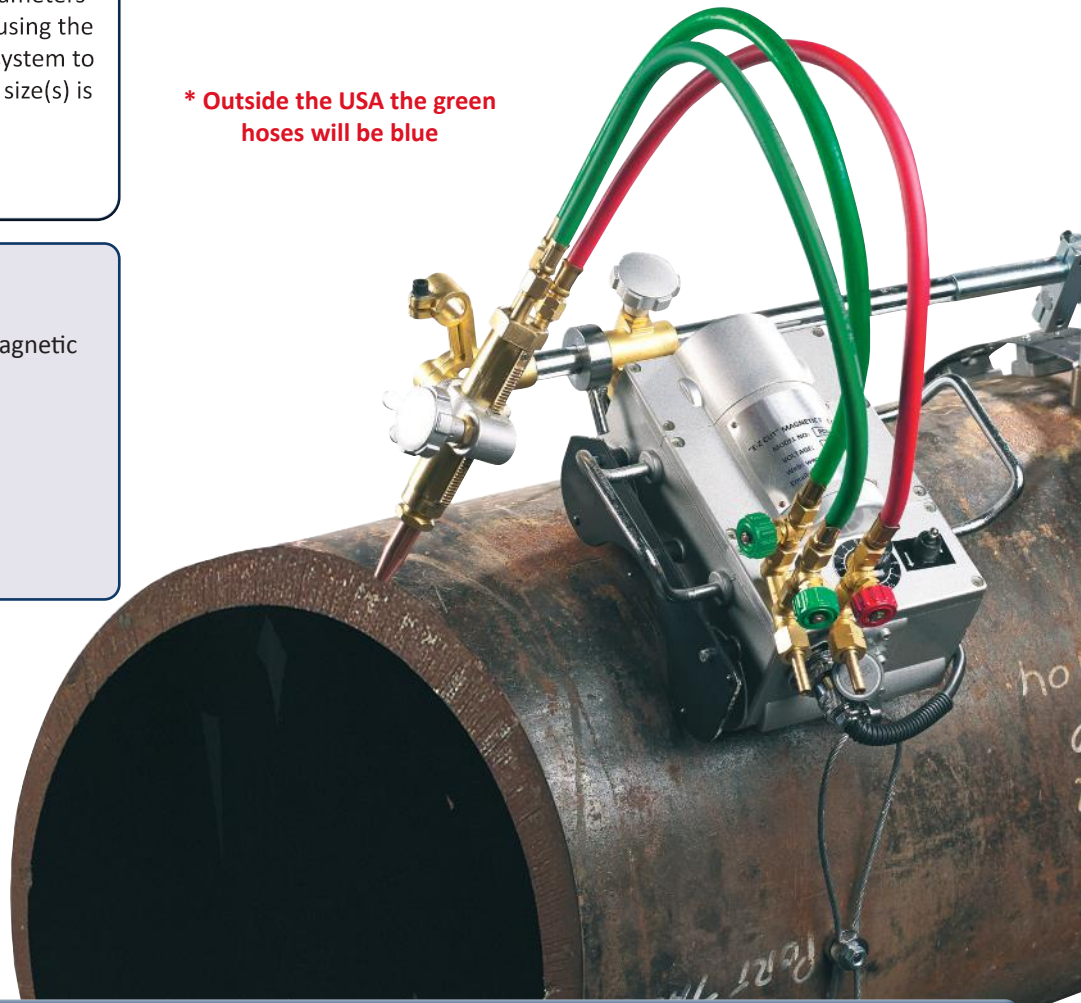
Guide band

For guaranteed square cuts and bevels on pipe diameters larger than 600 mm, using the optional guide band system to suit the relevant pipe size(s) is recommended.

E-Z Pipecut Magnetic includes:

- Pipe cutting machine E-Z Pipecut Magnetic
- Universal nozzle-mix torch suitable for all nozzle-mix cutting nozzle
- Gas hoses
- Power cable
- Operation instructions

*** Outside the USA the green hoses will be blue**



Technical specification

| Part No | EZPCMA1: 110v / EZPCMA2: 220v |
|--------------------|--|
| Power supply | 110v / 220v |
| Pipe diameter | 350 mm upwards |
| Wall thickness | 5 - 50 mm |
| Torch | Universal nozzle-mix torch suitable for all nozzle-mix cutting nozzle (nozzles not included) |
| Cut/bevel angle | Variable up to 45° |
| Vertical torch +/- | 50 mm |
| Lateral torch +/- | 100 mm |
| Track width | 50 - 780 mm/min |
| Weight | 20.00 kg / 18.70 lbs |
| Dimensions | 350 (l) x 310 (w) x 280 (h) mm |



BAND CRAWLER CUTTING AND BEVELING MACHINE

The ideal solution for cutting and beveling in close quarters, the Band Crawler requires as little as 6" (153 mm) of clearance around the pipe. Install the stainless steel band anywhere on the pipe and it conforms to the pipe shape, producing a consistent precise bevel, even on severely out-of-round pipe.

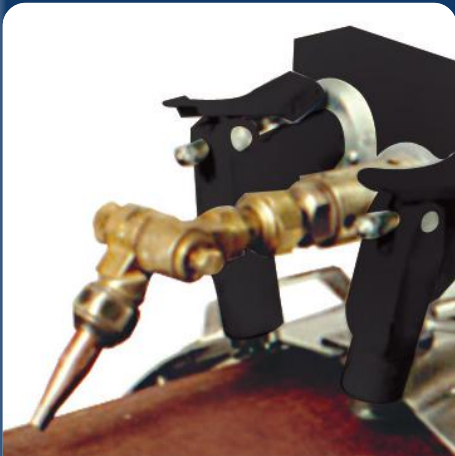
The lightweight Band Crawler can be quickly set up and operated by one person on pipe as large as 60" (1,524 mm). Bands 48" (1,219 mm) and larger feature a standard stiffening rib which simplifies one-person set-up.



- Precise** - Band conforms precisely to the out-of-round condition of the pipe to maintain consistent cutting tip distance from pipe surface
- Simple** - One person can set up and cut horizontal or vertical pipes as large as 48" (1,219 mm)
- Low profile** - Requires as little as 10½" (267 mm) of radial clearance
- One size fits all** - One Band Crawler fits all band sizes
- Fast** - 60% faster than hand cutting and grinding
- Motorized** - Available with PLASMASPEED digital motor control

| MODEL | PART NO | PACKAGED WEIGHT | |
|---|-------------|-----------------|----------|
| Band crawler with 9' (2.7 m) flexible drive cable | 05.0116.009 | 26 lbs. | 11.70 kg |
| Band crawler with 14' (4.3m) flexible drive cable | 05.0116.014 | 30 lbs. | 14.00 kg |
| Motorized PLASMASPEED band crawler 110/230 VAC | 05.0116.S01 | 26 lbs. | 11.70 kg |
| PLASMASPEED retro fit kit 110/230 VAC | 05.0116.SA1 | 26 lbs. | 11.70 kg |

TORCH ANGLE HEAD ADAPTOR



Allows the torch tip to be adjusted for any angle from a square cut (no bevel) to a bevel angle up to 90 degrees while also allowing torch lead or lag angle adjustment.

RIGHT ANGLE DRIVE ADAPTOR

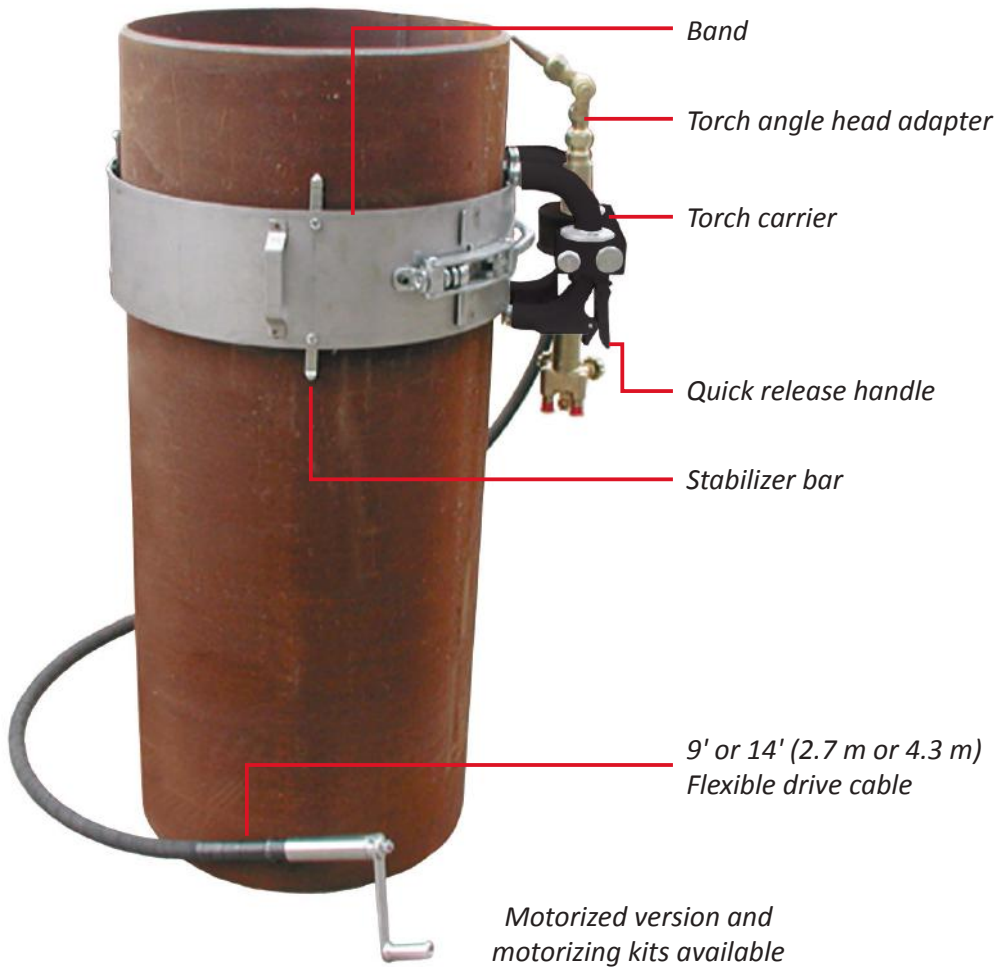


Permits the flexible drive cable to pivot 180 degrees on the end of the band crawler, lowering the profile of the crawler to 6" (153 mm).

PLASMASPEED



The motorized PLASMASPEED band crawler can increase cutting and beveling efficiency of large diameter pipes up to 60% and is the quickest and easiest cutting tool to set up on vertical pipe.



DRIVE CABLE



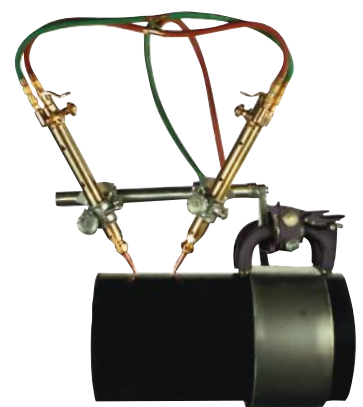
Enables the motorized band crawler to be retrofitted to manual operation.
Available in 9' (2.7 m) and 14' (4.3 m) lengths.

RACK ADJUSTABLE TORCH ARM



Allows both horizontal and vertical adjustment of the torch in relationship to the pipe surface.

DOUBLE TORCH ARM



Makes two cuts and bevels simultaneously, reducing cutting time and labor.

- No more special sized bands, Better Bands Bridge the Gap - up to 3 times more gap allowance than any other bands on the market
- Patented 'staggered' latching system for improved setup
- Ensures maximum traction for the machine, maintaining 3 points of contact at all times
- Industry leading gap allowance allows one size to work on coated or out of round pipe
- Consistent speed and travel of the machine equals improved cut quality



Bridge the Gap

Technical specification

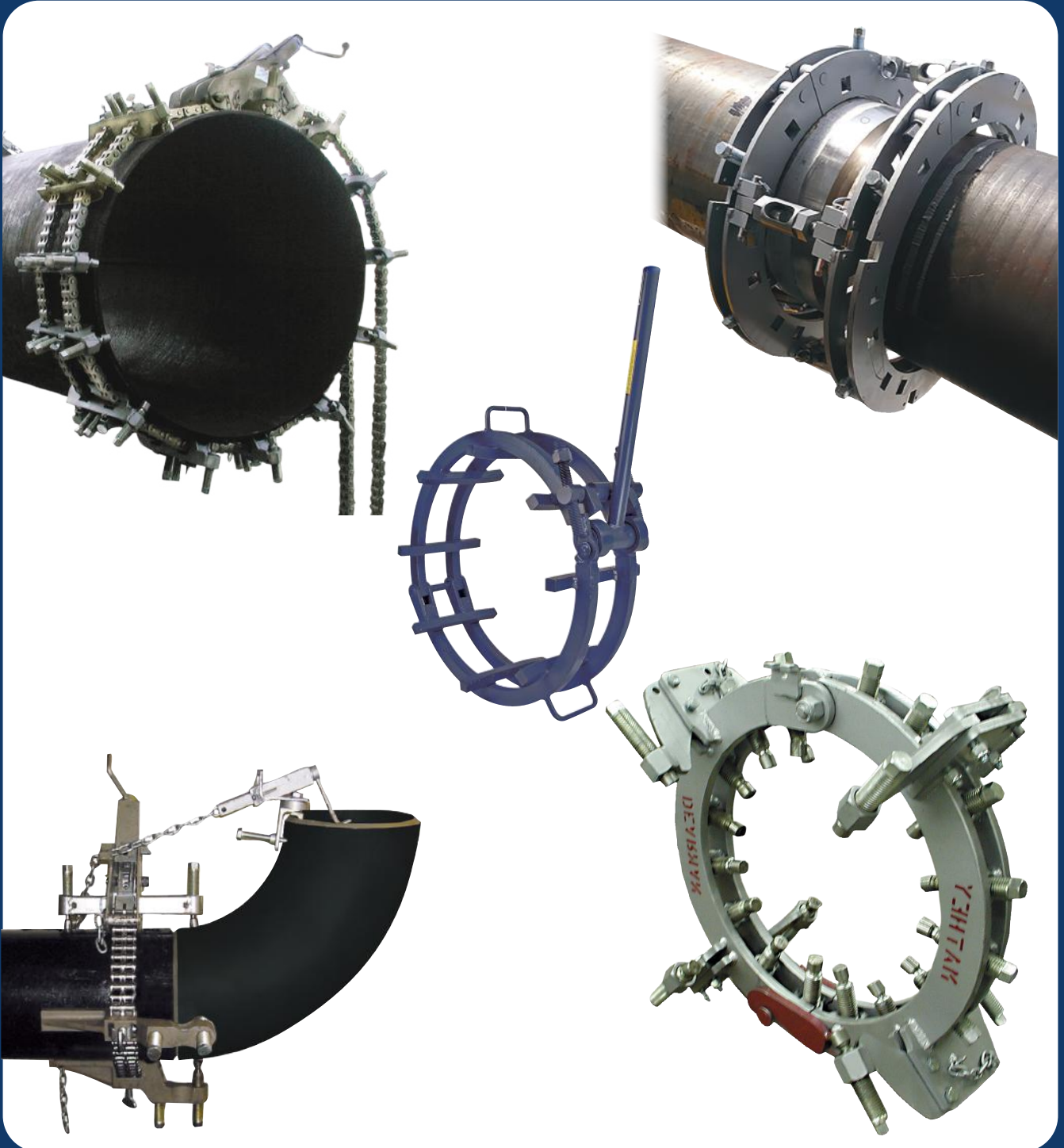
| PIPE SIZE | | PART NO | PACKAGED WEIGHT | |
|-----------|----------|-------------|-----------------|----------|
| 6" | 152 mm | 05.0204.006 | 5 lbs. | 2.00 kg |
| 8" | 203 mm | 05.0204.008 | 6 lbs. | 3.00 kg |
| 10" | 254 mm | 05.0204.010 | 7 lbs. | 3.00 kg |
| 12" | 305 mm | 05.0204.012 | 7 lbs. | 3.00 kg |
| 14" | 356 mm | 05.0204.014 | 11 lbs. | 5.00 kg |
| 16" | 406 mm | 05.0204.016 | 12 lbs. | 5.00 kg |
| 18" | 457 mm | 05.0204.018 | 14 lbs. | 6.00 kg |
| 20" | 508 mm | 05.0204.020 | 16 lbs. | 7.00 kg |
| 22" | 559 mm | 05.0204.022 | 17 lbs. | 8.00 kg |
| 24" | 610 mm | 05.0204.024 | 18 lbs. | 6.00 kg |
| 26" | 660 mm | 05.0204.026 | 20 lbs. | 9.00 kg |
| 28" | 711 mm | 05.0204.028 | 22 lbs. | 10.00 kg |
| 30" | 762 mm | 05.0204.030 | 25 lbs. | 11.00 kg |
| 32" | 813 mm | 05.0204.032 | 26 lbs. | 12.00 kg |
| 34" | 864 mm | 05.0204.034 | 27 lbs. | 12.00 kg |
| 36" | 914 mm | 05.0204.036 | 29 lbs. | 13.00 kg |
| 38" | 965 mm | 05.0204.038 | 31 lbs. | 14.00 kg |
| 40" | 1,016 mm | 05.0204.040 | 33 lbs. | 15.00 kg |
| 42" | 1,067 mm | 05.0204.042 | 36 lbs. | 16.00 kg |
| 44" | 1,118 mm | 05.0204.044 | 39 lbs. | 18.00 kg |
| 46" | 1,168 mm | 05.0204.046 | 43 lbs. | 20.00 kg |
| 48" | 1,219 mm | 05.0204.048 | 90 lbs. | 41.00 kg |
| 50" | 1,270 mm | 05.0204.050 | 92 lbs. | 42.00 kg |
| 52" | 1,321 mm | 05.0204.052 | 96 lbs. | 44.00 kg |
| 54" | 1,372 mm | 05.0204.054 | 100 lbs. | 45.00 kg |
| 56" | 1,422 mm | 05.0204.056 | 106 lbs. | 48.00 kg |
| 58" | 1,473 mm | 05.0204.058 | 110 lbs. | 50.00 kg |
| 60" | 1,524 mm | 05.0204.060 | 115 lbs. | 52.00 kg |

Band crawler accessories

| DESCRIPTION | PART NO | PACKAGED WEIGHT | |
|---|-------------|-----------------|----------|
| PLASMASPEED retro fit kit 110/230 VAC | 05.0116.SA1 | 26 lbs. | 11.70 kg |
| Rack-adjustable torch arm | 05.0116.032 | 3 lbs. | 1.40 kg |
| Double torch arm | 05.0116.039 | 4 lbs. | 1.80 kg |
| Right angle drive adapter (for drive cable) | 05.0116.030 | 2 lbs. | 0.90 kg |
| Torch angle head adapter | 05.0200.003 | 1.20 lbs. | 0.50 kg |
| Protective leather cable sleeve | 05.0550.SLV | 1.50 lbs. | 0.70 kg |

MATHEY DEARMAN®

PIPE ALIGNMENT AND REFORMING CLAMPS





The Mathey Dearman Sturdi Clamp is a chain clamp ideal for schedule 40 and below pipe alignment and reforming.

Originally invented in 1930, Mathey Dearman offers the Sturdi Clamp as a lighter duty version of the Mathey Dearman Double Jackscrew pipe chain clamp.

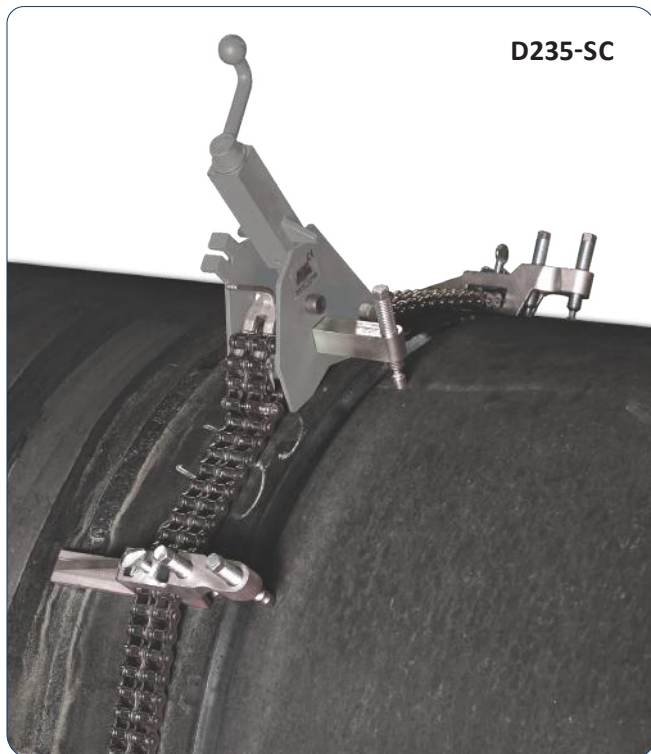
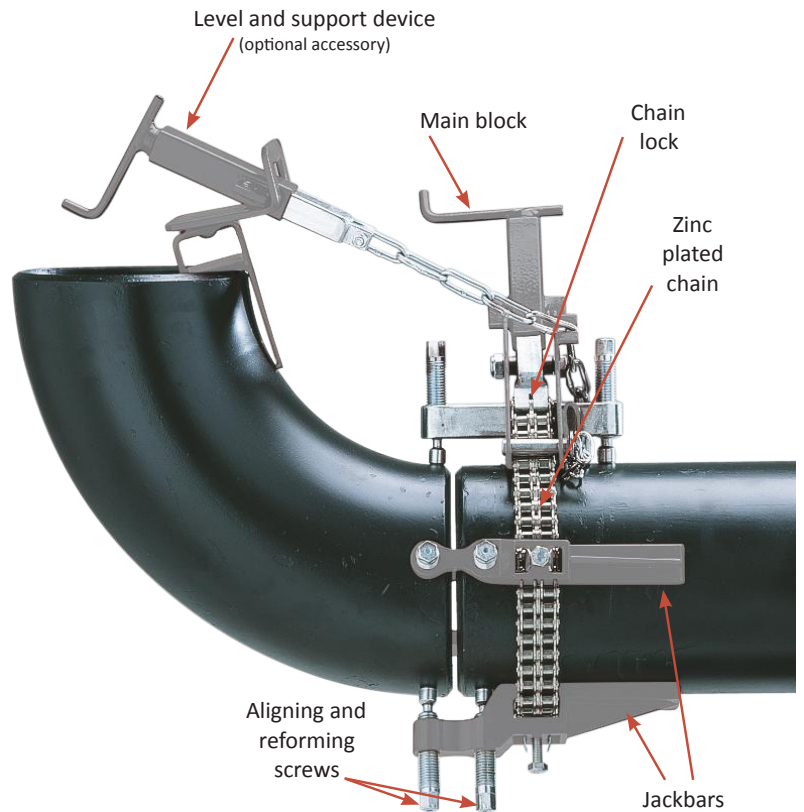
Traditional methods for aligning heavy wall pipe, such as ratchet cable pullers, lugs and bottle jacks are time consuming and inconsistent in the results they achieve, making them unsuitable for the majority of critical alignment applications.

One clamp can fit up a variety of sizes of pipes 1" to 36" (25 mm to 914 mm) diameter, elbows, tees, flanges end caps and most other pipe fittings (using the level and support device supplied).

The Mathey Dearman Sturdi Clamp is available in carbon steel chain or stainless steel version.

All Mathey Dearman Sturdi Clamps feature stainless steel jackscrews, jackbars and main blocks.

The high rise jackbars and main block provide the strength to reform the pipe either side of the weld gap to eliminate "Hi-Lo", whilst enabling the welder to weld the entire circumference of the pipe with the clamp in situ.



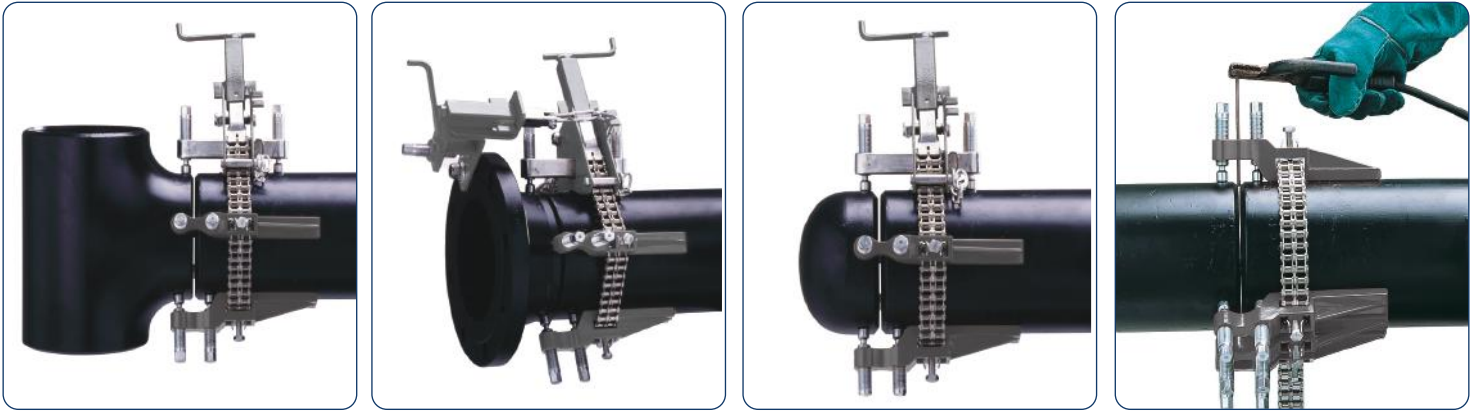
D235-SC

Features and advantages

- **Precision alignment** - The double jackbars, spaced around the outside diameter of the pipe, provide concise alignment and reforming of the internal or external diameters of both pipes within 0.5mm
- **Reformability** - Reforms pipes on both sides of the weld joint to schedule 40 pipe and aligns any wall schedule of pipe, elbows, tees and other fittings
- **Adaptable** - The chain clamp can be used to align, and reform elbows, tees and other fittings that a cage clamp can not manage. One chain clamp covers the range of eight cage clamps
- **High rise independent jackbars** - Double jackscrew 'high rise' jackbars have extra clearance enabling easy access with welding torch/rod. Each jackscrew has independently pivoting feet to cope with uneven surfaces
- **Wide range** - One chain clamp covers a wide range of pipe sizes
- **Safe** - Elbows, tees and other fittings can be held safely and securely in place during alignment with the level and support device

Sturdi Clamp pipe chain clamps versatility

Some examples of fit-ups with the Sturdi Clamp. Each clamp is supplied with all accessories to carry out any fit-up and includes a steel storage box.



Mathey Dearman Sturdi Clamp includes:

- Nickel plated carbon steel or stainless steel duplex roller chain
- Stainless steel single or double jackscrew jackbars - quantity as indicated in specifications
- Stainless steel main block
- Jackscrew breaker bar and socket
- Heavy duty storage box
- Parts and operating manual



Jackbar model



DA-600S



DB-600S

Main block model



DA-100



DB-100

Chain model



DA-300/DA-300S



DB-300/DB-300S

Mathey Dearman Sturdi Clamp chain clamp

| OLD PART NO | NEW PART NO | NO OF JACKBARS | PIPE SIZE RANGE | | REFORMS/ALIGNS PIPE TO SCHEDULE* | JACKBAR MODEL | MAIN BLOCK MODEL | CHAIN MODEL |
|-------------|-------------|----------------|-----------------|----------------|----------------------------------|---------------|------------------|-------------|
| EZSCC12 | D250-SC | 5 | 1" - 12" | 25 - 305 mm | 40 / 80 | DA-600S | DA-100 | DA-300 |
| * EZSCC12SS | * D250-SSSC | 5 | 1" - 12" | 25 - 305 mm | 40 / 80 | DA-600S | DA-100 | DA-300S |
| EZSCC20 | D249-SC | 7 | 4" - 20" | 102 - 508 mm | 40 / 80 | DA-600S | DA-100 | DA-300 |
| * EZSCC20SS | * D249SCSS | 7 | 4" - 20" | 102 - 508 mm | 40 / 80 | DA-600S | DA-100 | DA-300S |
| EZSCC36 | D235-SC | 10 | 10" - 36" | 254 - 914 mm | 40 / 80 | DB-600S | DB-100 | DB-300 |
| * EZSCC36SS | * D235-SCSS | 10 | 10" - 36" | 254 - 914 mm | 40 / 80 | DB-600S | DB-100 | DB-300S |
| EZSCC54 | D236-SC | 14 | 10" - 54" | 254 - 1,372 mm | 40 / 80 | DB-600S | DB-100 | DB-300 |
| * EZSCC54SS | * D236-SCSS | 14 | 10" - 54" | 254 - 1,372 mm | 40 / 80 | DB-600S | DB-100 | DB-300S |
| EZSCC72 | D237-SC | 20 | 10" - 72" | 254 - 1,827 mm | 40 / 80 | DB-600S | DB-100 | DB-300 |
| * EZSCC72SS | * D237-SCSS | 20 | 10" - 72" | 254 - 1,827 mm | 40 / 80 | DB-600S | DB-100 | DB-300S |

* Suitable for stainless steel

The Sturdi Clamp does not include level and support device.

Calculations are based on pipe with a tensile strength of 45,000 lbs. per square inch (3,168 kg per square centimeter)

We have been manufacturing and selling the double jackscrew chain clamp for over 90 years.



Double Jackscrew chain clamp

Mathey Dearman invented the first chain clamp in 1930 and the Double Jackscrew chain clamp was launched in 1931.

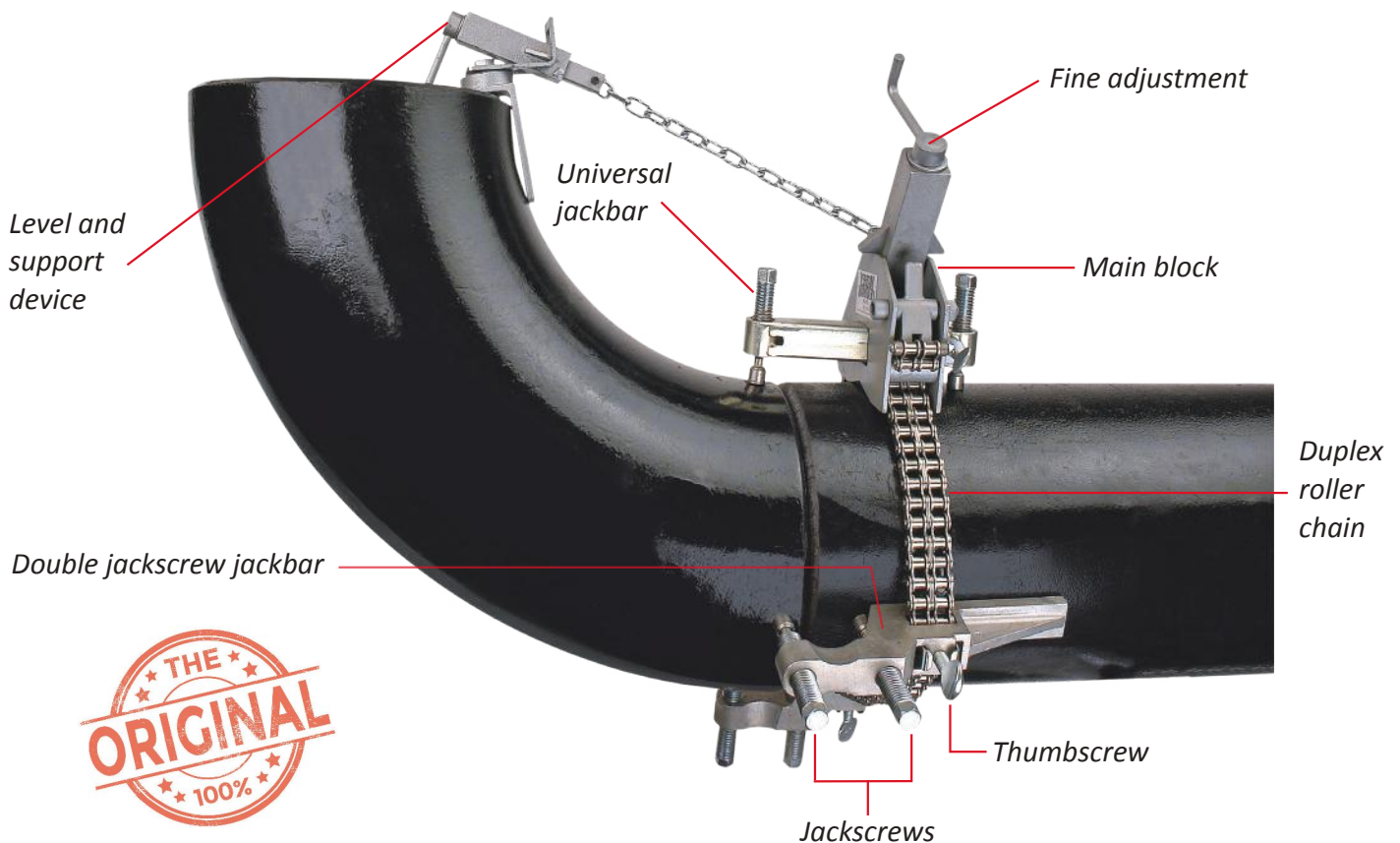
The Double Jackscrew chain clamp reforms schedule 40 pipe on either side of the joint to be welded and it is also able to exert pressure on the high points of both sides to eliminate "Hi-Low".

The chain clamp's level and support device allows the pipe, elbow, tee, flange and other fittings to be held securely in place during alignment and welding.

Pipe with wall thicknesses up to schedule 80 can be aligned with the double jackscrew chain clamp.

Mathey Dearman's Double Jackscrew chain clamp is available in carbon steel chain and stainless steel chain versions to fit pipe from 1" to 54" / 25 mm to 1,372 mm in diameter.

Although all Mathey Dearman chain clamps feature stainless steel jackscrews, jackbars and main blocks, stainless steel chain should be used on stainless steel or specialty alloy applications to avoid potential contamination.



- **Extra Welding Clearance** - Jackbar design provides additional clearance, so the weld can be easily completed with clamp in place
- **Precise Alignment** - Double jackbars spaced around the diameter of the pipe allow reforming on both sides of joint to within $\frac{1}{64}$ " (.4mm)
- **Heavy Duty** - Aligns pipe with wall thickness up to schedule 80
- **Strong** - Reforms pipe with wall thickness to schedule 40
- **Wide Range** - Support, align, and reform elbow, tees, and other fittings that cage clamps can't; one chain clamp covers the range of 8 cage clamps
- **Versatile** - With the standard level and support device, the clamp can be configured to align, reform and support almost any type of fitting for welding

Double Jackscrew chain clamp includes:

- Nickel plated carbon steel or stainless steel duplex roller chain
- Stainless steel double jackscrew jackbars - quantity as indicated in specifications
- Stainless steel main block
- Level and support device
- Jackscrew breaker bar with socket
- Heavy duty storage box
- Parts and operating manual



Jackbar model



DB-600S



DC-600S

Main block Mmodel



DB-100



DC-100

Chain model



DB-300/DB-300S



DC-300/DC-300S

Double jackscrew chain clamp specifications

| PART NO | NO OF JACKBARS | PIPE SIZE RANGE | | REFORMS/ALIGNS PIPE TO SCHEDULE* | JACKBAR MODEL | MAIN BLOCK MODEL | CHAIN MODEL |
|----------|----------------|-----------------|----------------|----------------------------------|---------------|------------------|-------------|
| D249 | 7 | 4" - 20" | 102 - 508 mm | 40 / 80 | DB-600S | DB-100 | DB-300 |
| * D249SS | 7 | 4" - 20" | 102 - 508 mm | 40 / 80 | DB-600S | DB-100 | DB-300S |
| D235 | 8 | 10" - 36" | 254 - 914 mm | 40 / 80 | DC-600S | DC-100 | DC-300 |
| * D235SS | 8 | 10" - 36" | 254 - 914 mm | 40 / 80 | DC-600S | DC-100 | DC-300S |
| D236 | 13 | 10" - 54" | 254 - 1,372 mm | 40 / 80 | DC-600S | DC-100 | DC-300 |
| * D236SS | 13 | 10" - 54" | 254 - 1,372 mm | 40 / 80 | DC-600S | DC-100 | DC-300S |
| D237 | 20 | 10" - 72" | 254 - 1,827 mm | 40 / 80 | DC-600S | DC-100 | DC-300 |
| * D237SS | 20 | 10" - 72" | 254 - 1,827 mm | 40 / 80 | DC-600S | DC-100 | DC-300S |

* Suitable for stainless steel

Calculations are based on pipe with a tensile strength of 45,000 lbs. per square inch (3,168 kg per square centimeter)



DOUBLE CHAIN CLAMP

We have been manufacturing and selling the double chain clamp for over 90 years.

D251 SERIES

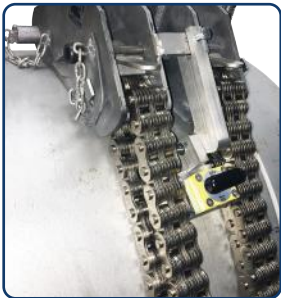
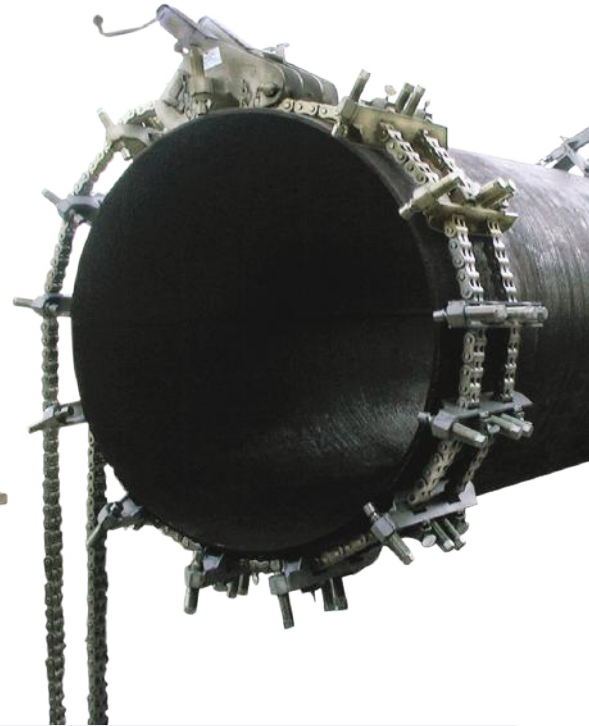
The Mathey Dearman Double Chain clamp is a heavy duty vessel clamp designed for alignment and reforming of pipes and vessels up to 20' (6 m) in diameter with schedule 80 wall thickness.

The Double Chain clamp also aligns schedule 80 pipe and heavier when no reforming is required. The extra heavy duty jackbars and main block provide the brute strength necessary to accomplish even the toughest reforming jobs.

Models 10" to 36" through 10" to 54" come with a level and support device.

All other models come with a cable hoist.

The Double Chain clamp is available in steel and stainless steel versions.



MagSquare magnets are now standard with all double chain clamps to make setup simple and easy.



Double Chain jackbar



Joints on large pipe or tube shells up to 240" (6,096 mm) in diameter can be aligned, reformed and welded without removing the clamp, saving time and improving weld quality.

Precise - Numerous jackbars provide clamping pressure exactly where needed for perfect alignment

Tough - Reforms and aligns pipe with schedule 80 wall thickness

Adaptable - Fits extremely large range of pipe diameters

Conforming - Jackbar pads pivot independently to handle uneven pipe and fitting surfaces

Hydraulic closure mechanism

Perfect for clamping larger diameters and applying extra clamp load, Mathey Dearman's hydraulic chain clamp closure mechanism uses a 5" (127 mm) stroke to apply up to 10,000 pounds (4,535 kg) of tension to the standard Double Chain clamp. Hydraulic pressure is supplied to the closure mechanism's hydraulic cylinder by a hand pump with reservoir. Tension can be applied to close the clamp on the pipe. Using the hydraulic closure mechanism, our Double Chain clamp is able to align pipe up to schedule 120 and reform pipe to schedule 80.



Manual hydraulic pump kit



DD-580 Hydraulic closure mechanism

D251 Series hydraulic closure mechanism

| PART NO | DESCRIPTION | EST. SHIPPING WEIGHT | |
|----------|--|----------------------|----------|
| DD-580 | Hydraulic closure mechanism for D251 Double Chain clamp | 43 lbs. | 20.00 kg |
| D104-KIT | Hydraulic kit includes manual hydraulic pump, reservoir and hoses needed for operation | 12 lbs. | 5.00 kg |

The hydraulic closure mechanism can be added to a previously purchased Double Chain clamp.



Double Chain clamp includes:

- 2 Nickel plated or stainless steel high-strength leaf chains
- Extra heavy duty stainless steel jackbars (quantity as listed in specifications)
- Double chain main block with 2 fine adjustments
- Level and support device (D251-1060 model and larger supplied with cable hoist)
- Jackscrew breaker bar with socket
- Parts and operating manual

Double Chain clamp specifications

| PART NO | NO OF MAIN BLOCKS | NO OF JACKBARS | PIPE SIZE RANGE | | REFORMS/ALIGNS PIPE TO SCHEDULE* |
|----------------|-------------------|----------------|-----------------|----------------|----------------------------------|
| D251-1036 | 1 | 9 | 10" - 36" | 254 - 914 mm | 80 / 160 |
| * D251-1036SS | 1 | 9 | 10" - 48" | 254 - 914 mm | 80 / 160 |
| D251-1048 | 1 | 12 | 10" - 48" | 254 - 1,219 mm | 80 / 160 |
| * D251-1048SS | 1 | 12 | 10" - 48" | 254 - 1,219 mm | 80 / 160 |
| D251-1054 | 1 | 14 | 10" - 54" | 254 - 1,372 mm | 80 / 160 |
| * D251-1054SS | 1 | 14 | 10" - 54" | 254 - 1,372 mm | 80 / 160 |
| D251-1060 | 1 | 16 | 10" - 60" | 254 - 1,524 mm | 80 / 160 |
| * D251-1060SS | 1 | 16 | 10" - 60" | 254 - 1,524 mm | 80 / 160 |
| D251-1072 | 1 | 20 | 10" - 72" | 254 - 1,829 mm | 80 / 160 |
| * D251-1072SS | 1 | 20 | 10" - 72" | 254 - 1,829 mm | 80 / 160 |
| D251-1084 | 1 | 24 | 10" - 84" | 254 - 2,134 mm | 80 / 160 |
| * D251-1084SS | 1 | 24 | 10" - 84" | 254 - 2,134 mm | 80 / 160 |
| D251-1096 | 2 | 28 | 10" - 96" | 254 - 2,438 mm | 80 / 160 |
| * D251-1096SS | 2 | 28 | 10" - 96" | 254 - 2,438 mm | 80 / 160 |
| D251-10108 | 2 | 32 | 10" - 108" | 254 - 2,743 mm | 80 / 160 |
| * D251-10108SS | 2 | 32 | 10" - 108" | 254 - 2,743 mm | 80 / 160 |
| D251-10120 | 2 | 36 | 10" - 120" | 254 - 3,048 mm | 80 / 160 |
| * D251-10120SS | 2 | 36 | 10" - 120" | 254 - 3,048 mm | 80 / 160 |
| D251-1011F | 2 | 39 | 10" - 132" | 254 - 3,353 mm | 80 / 160 |
| * D251-1011FSS | 2 | 39 | 10" - 132" | 254 - 3,353 mm | 80 / 160 |
| D251-1012F | 2 | 42 | 10" - 144" | 254 - 3,658 mm | 80 / 160 |
| * D251-1012FSS | 2 | 42 | 10" - 144" | 254 - 3,658 mm | 80 / 160 |
| D251-1014F | 2 | 48 | 10" - 168" | 254 - 4,267 mm | 80 / 160 |
| * D251-1014FSS | 2 | 48 | 10" - 168" | 254 - 4,267 mm | 80 / 160 |
| D251-1016F | 3 | 54 | 10" - 192" | 254 - 4,877 mm | 80 / 160 |
| * D251-1016FSS | 3 | 54 | 10" - 192" | 254 - 4,877 mm | 80 / 160 |
| D251-1018F | 3 | 60 | 10" - 216" | 254 - 5,486 mm | 80 / 160 |
| * D251-1018FSS | 3 | 60 | 10" - 216" | 254 - 5,486 mm | 80 / 160 |
| D251-1020F | 3 | 66 | 10" - 240" | 254 - 6,096 mm | 80 / 160 |
| * D251-1020FSS | 3 | 66 | 10" - 240" | 254 - 6,096 mm | 80 / 160 |

* Suitable for stainless steel

* Calculations are based on pipe with a tensile strength of 45,000 lbs. per square inch (3,164 kg per square centimeter).

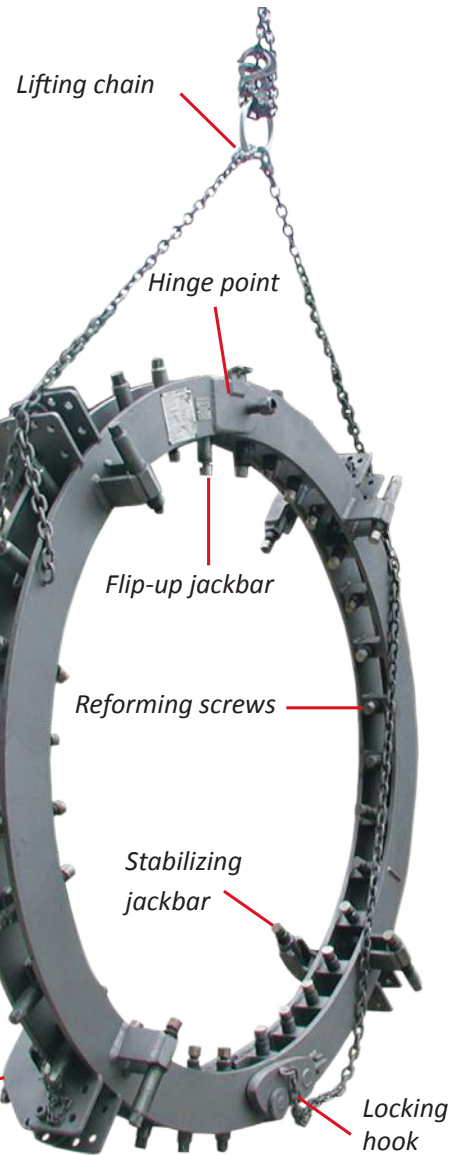
Note: All Double Chain clamps with 16 or more jackbars include cable hoist. Smaller clamps include level and support device.

Rim Clamp

The Mathey Dearman Rim Clamp is built for tough reforming jobs and is ideal for applications requiring 100% weld and grind without releasing clamping pressure. Symmetrically placed jackscrews apply pressure on high points to precisely reform and align pipe or shells. All surfaces of the Rim Clamp in contact with the pipe are made of stainless steel enabling the clamp to be used on a variety of materials.

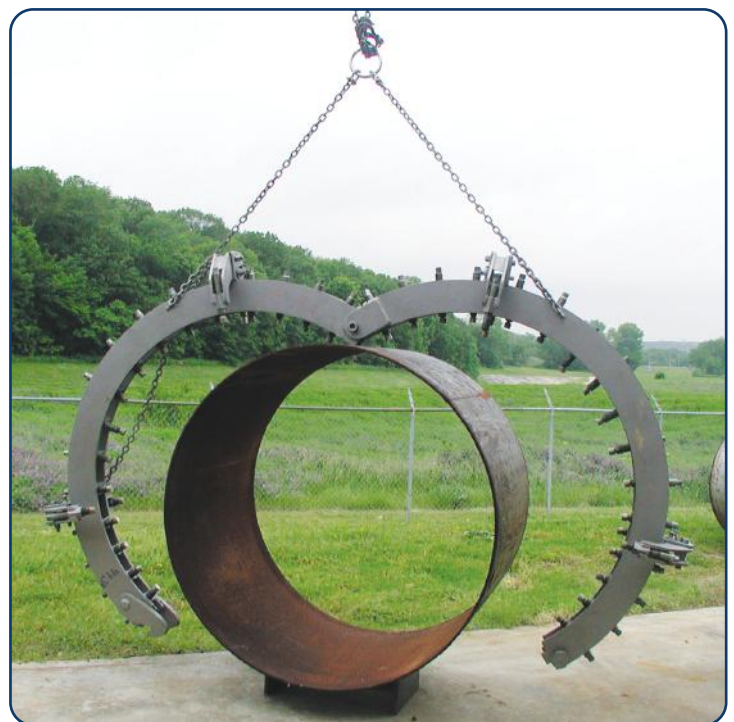
The Mathey Dearman Rim Clamp will reform 45,000 PSI tensile strength pipe up to schedule 80, with out-of-round conditions up to 2" (51 mm), depending on wall thickness.

- Accurate** - Apply reforming pressure exactly where required
- Strong** - Corrects out-of-round conditions up to 2" (51 mm)
- Easy** - Self-latching design, 14" (356 mm) and larger, makes installation simple and safe
- Versatile** - Handles a range of pipe sizes and materials



| PART NO | DESCRIPTION | PIPE SIZE RANGE | | ESTIMATED SHIPPING WEIGHT | |
|------------|------------------------------|-----------------|------------------|---------------------------|--------|
| | | | | | |
| D711-0406 | Standard Rim Clamp 4" - 6" | 4" - 6" | 102 - 152 mm | 118 lbs. | 54 kg |
| D711-0608 | Standard Rim Clamp 6" - 8" | 6" - 8" | 152 - 203 mm | 122 lbs. | 55 kg |
| D711-0810 | Standard Rim Clamp 8" - 10" | 8" - 10" | 203 - 254 mm | 145 lbs. | 66 kg |
| D711-1012 | Standard Rim Clamp 10" - 12" | 10" - 12" | 254 - 305 mm | 168 lbs. | 76 kg |
| D711-1214 | Standard Rim Clamp 12" - 14" | 12" - 14" | 305 - 356 mm | 225 lbs. | 102 kg |
| D711-1420M | Mega Rim Clamp 14" - 20" | 14" - 20" | 356 - 508 mm | 586 lbs. | 266 kg |
| D711-1824M | Mega Rim Clamp 18" - 24" | 18" - 24" | 457 - 610 mm | 603 lbs. | 273 kg |
| D711-2632M | Mega Rim Clamp 26" - 32" | 26" - 32" | 660 - 813 mm | 860 lbs. | 390 kg |
| D711-3036M | Mega Rim Clamp 30" - 36" | 30" - 36" | 762 - 914 mm | 974 lbs. | 442 kg |
| D711-3844M | Mega Rim Clamp 38" - 44" | 38" - 44" | 965 - 1,118 mm | 1,112 lbs. | 504 kg |
| D711-4248M | Mega Rim Clamp 42" - 48" | 42" - 48" | 1,067 - 1,219 mm | 1,176 lbs. | 533 kg |
| D711-4652M | Mega Rim Clamp 46" - 52" | 46" - 52" | 1,168 - 1,321 mm | 1,200 lbs. | 544 kg |
| D711-5056M | Mega Rim Clamp 50" - 56" | 50" - 56" | 1,270 - 1,422 mm | 1,280 lbs. | 581 kg |
| D711-5460M | Mega Rim Clamp 54" - 60" | 54" - 60" | 1,372 - 1,524 mm | 1,322 lbs. | 600 kg |

Additional sizes available upon request

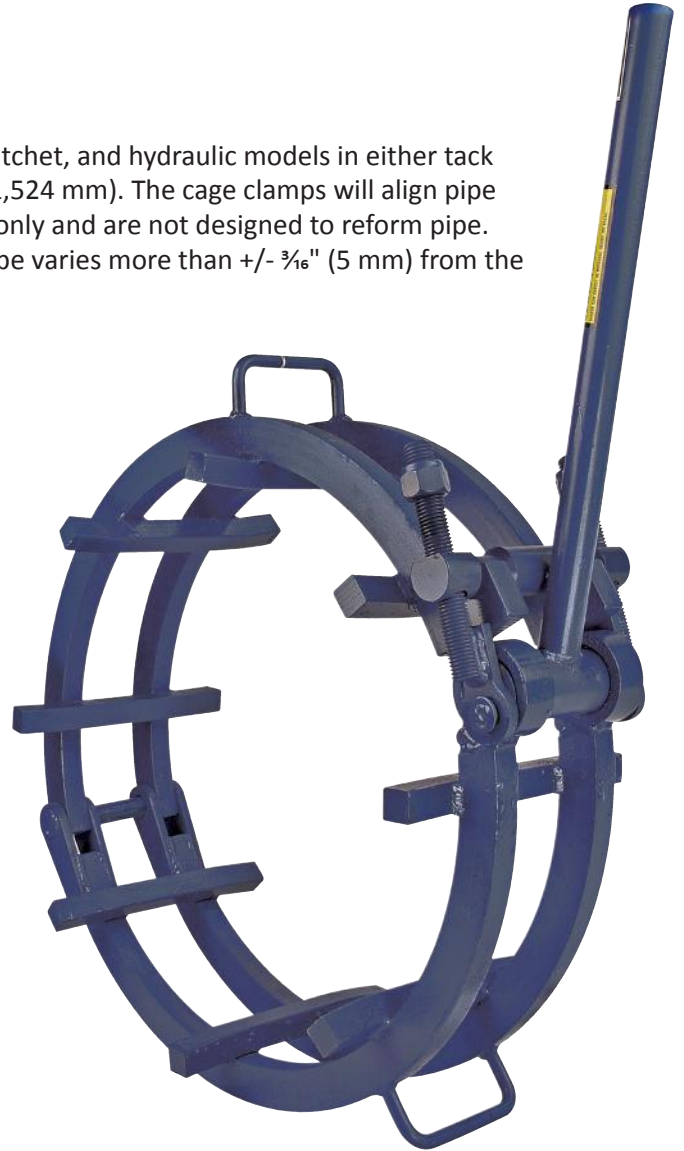


Cage clamps

Mathey Dearman's cage clamp is available in manual hand lever, ratchet, and hydraulic models in either tack or no-tack versions, ranging in sizes for pipes 2" to 60" (51 mm to 1,524 mm). The cage clamps will align pipe through schedule 80. Cage clamps are intended for alignment use only and are not designed to reform pipe. Each size clamp fits one specific pipe diameter. If the O.D. of the pipe varies more than $\pm \frac{3}{16}$ " (5 mm) from the indicated clamp diameter, pipes may not align accurately.

Manual Lever cage clamp

| MANUAL LEVER TACK MODEL | PIPE SIZE | |
|-------------------------|-----------|----------|
| 01.0505.001 | 2" | 51 mm |
| 01.0505.002 | 3" | 76 mm |
| 01.0505.003 | 3.5" | 89 mm |
| 01.0505.004 | 4" | 102 mm |
| 01.0505.005 | 5" | 127 mm |
| 01.0505.006 | 6" | 152 mm |
| 01.0505.008 | 8" | 203 mm |
| 01.0505.010 | 10" | 254 mm |
| 01.0505.012 | 12" | 305 mm |
| 01.0505.014 | 14" | 356 mm |
| 01.0505.016 | 16" | 406 mm |
| 01.0505.018 | 18" | 457 mm |
| 01.0505.020 | 20" | 508 mm |
| 01.0505.022 | 22" | 559 mm |
| 01.0505.024 | 24" | 610 mm |
| 01.0505.026 | 26" | 660 mm |
| 01.0505.028 | 28" | 711 mm |
| 01.0505.030 | 30" | 762 mm |
| 01.0505.032 | 32" | 813 mm |
| 01.0505.034 | 34" | 864 mm |
| 01.0505.036 | 36" | 914 mm |
| 01.0505.038 | 38" | 965 mm |
| 01.0505.040 | 40" | 1,016 mm |
| 01.0505.042 | 42" | 1,067 mm |
| 01.0505.048 | 48" | 1,219 mm |
| 01.0505.054 | 54" | 1,372 mm |
| 01.0505.060 | 60" | 1,524 mm |



Available upon request



No-tack cross bars are arched to permit a full-circle weld without removing the clamp. The no-tack clamp can help increase welding quality and efficiency.

Clamps with stainless steel contact points or for odd-size pipe available on request. Add SS at end of part number for stainless steel.

Cage clamp cross bar designs



Tack-type straight cross bars have flared ends so pipes can be moved easily into position and clamped. After the pipe is tack welded, the clamp is removed from the pipe and the weld is completed.



Tack and no-tack cross bars are available in stainless steel for stainless and other specialty alloy applications.



RATCHET AND HYDRAULIC CAGE CLAMPS

Ratchet cage clamp

The ratchet closure system of the Mathey Dearman Ratchet cage clamp provides the extra force needed to align large pipe diameters. The Ratchet cage clamp is available for 14" to 60" (356 mm to 1,524 mm) pipe.



Ratchet must be ordered separately

Hydraulic cage clamp

Mathey Dearman's Hydraulic cage clamp utilizes a rugged hydraulic closure mechanism to create the extra force necessary to align large pipe diameters while also permitting the rapid release of the clamp from the pipe. The Hydraulic cage clamp is available for 16" to 60" (406 mm to 1,524 mm) pipe.



12 ton - Hydraulic jack included

Cage clamp cross bar designs



Tack-type straight cross bars have flared ends so pipes can be moved easily into position and clamped. After the pipe is tack welded, the clamp is removed from the pipe and the weld is completed.



Tack and no-tack cross bars are available in stainless steel for stainless and other specialty alloy applications.

| RATCHET TACK MODEL | HYDRAULIC TACK MODEL | PIPE SIZE | |
|--------------------|----------------------|-----------|----------|
| 01.0505.R06 | n/a | 6" | 152 mm |
| 01.0505.R08 | n/a | 8" | 203 mm |
| 01.0505.R10 | n/a | 10" | 254 mm |
| 01.0505.R12 | n/a | 12" | 305 mm |
| 01.0505.R14 | n/a | 14" | 356 mm |
| 01.0505.R16 | 01.0505.H16 | 16" | 406 mm |
| 01.0505.R18 | 01.0505.H18 | 18" | 457 mm |
| 01.0505.R20 | 01.0505.H20 | 20" | 508 mm |
| 01.0505.R22 | 01.0505.H22 | 22" | 559 mm |
| 01.0505.R24 | 01.0505.H24 | 24" | 610 mm |
| 01.0505.R26 | 01.0505.H26 | 26" | 660 mm |
| 01.0505.R28 | 01.0505.H28 | 28" | 711 mm |
| 01.0505.R30 | 01.0505.H30 | 30" | 762 mm |
| 01.0505.R32 | 01.0505.H32 | 32" | 812 mm |
| 01.0505.R34 | 01.0505.H34 | 34" | 864 mm |
| 01.0505.R36 | 01.0505.H36 | 36" | 914 mm |
| 01.0505.R38 | 01.0505.H38 | 38" | 965 mm |
| 01.0505.R40 | 01.0505.H40 | 40" | 1,016 mm |
| 01.0505.R42 | 01.0505.H42 | 42" | 1,067 mm |
| 01.0505.R48 | 01.0505.H48 | 48" | 1,219 mm |
| n/a | 01.0505.H54 | 54" | 1,372 mm |
| n/a | 01.0505.H60 | 60" | 1,524 mm |

Available upon request



No-tack cross bars are arched to permit a full-circle weld without removing the clamp. The no-tack clamp can help increase welding quality and efficiency.

- One clamp works on multiple pipe sizes
- Able to do light reforming to correct ovality in the pipe
- Able to push or pull the pipe joint together to attain the proper gap
- Works on carbon steels, stainless steels, and alloys
- Clamp can work on multiple types of joints
- Splitframe rim style clamp with turnbuckles, solid steel frames

All super clamps include:

- Parts and operating manual
- Jackscrews with swivel pads
- Jackscrew breaker bar and socket



Align, Reform AND SET THE WELD GAP with a few turns of a wrench



MATHEY DEARMAN SUPER CLAMP - HD

| MODEL PART NO. | REFORMS TO SCHEDULE | ALIGNS TO SCHEDULE | PIPE SIZE RANGE |
|----------------|---------------------|--------------------|--------------------------|
| SC-RC-0612HD | 40 | 80 | 6" - 12" / 152 - 305 mm |
| SC-RC-1218HD | 40 | 80 | 12" - 18" / 305 - 457 mm |
| SC-RC-1824HD | 40 | 80 | 18" - 24" / 457 - 610 mm |
| SC-RC-2430HD | 40 | 80 | 24" - 30" / 610 - 762 mm |
| SC-RC-3036HD | 40 | 80 | 30" - 36" / 762 - 914 mm |

Super Clamp reforming abilities

| SUPERCLAMP | PIPE OD | FOR MAX 1/16" OUT OF ROUND CONDITION | | | | | FOR MAX 1/8" OUT OF ROUND CONDITION | | | | |
|------------|---------|--------------------------------------|-----|-----|-----|-----|-------------------------------------|-----|-----|-----|-----|
| | | SCHEDULE | | | | | SCHEDULE | | | | |
| | | 10 | 20 | 30 | 40 | STD | 10 | 20 | 30 | 40 | STD |
| SC-RC-0612 | 6 | --- | --- | --- | --- | --- | --- | --- | --- | --- | --- |
| SC-RC-0612 | 8 | x | --- | --- | --- | --- | --- | --- | --- | --- | --- |
| SC-RC-0612 | 10 | x | x | --- | --- | --- | --- | --- | --- | --- | --- |
| SC-RC-0612 | 12 | x | x | x | x | x | x | --- | --- | --- | --- |
| SC-RC-1218 | 12 | x | x | --- | --- | --- | --- | --- | --- | --- | --- |
| SC-RC-1218 | 14 | x | x | x | --- | x | --- | --- | --- | --- | --- |
| SC-RC-1218 | 16 | x | x | x | --- | x | x | --- | --- | --- | --- |
| SC-RC-1218 | 18 | x | x | x | x | x | x | x | --- | --- | --- |
| SC-RC-1824 | 18 | x | x | x | --- | x | --- | --- | --- | --- | --- |
| SC-RC-1824 | 20 | x | x | x | --- | x | x | --- | --- | --- | --- |
| SC-RC-1824 | 22 | x | x | x | --- | x | x | --- | --- | --- | --- |
| SC-RC-1824 | 24 | x | x | x | x | x | x | x | --- | --- | x |
| SC-RC-2430 | 24 | x | x | x | --- | x | x | --- | --- | --- | --- |
| SC-RC-2430 | 26 | x | x | --- | --- | x | x | --- | --- | --- | x |
| SC-RC-2430 | 28 | x | x | x | --- | x | x | --- | --- | --- | x |
| SC-RC-2430 | 30 | x | x | x | --- | x | x | x | --- | --- | x |
| SC-RC-3036 | 30 | x | x | x | --- | x | x | --- | --- | --- | x |
| SC-RC-3036 | 32 | x | x | x | x | x | x | --- | --- | --- | x |
| SC-RC-3036 | 34 | x | x | x | x | x | x | x | --- | --- | x |
| SC-RC-3036 | 36 | x | x | x | x | x | x | x | --- | --- | x |



SLEEVE CLAMP

The Mathey Dearman Hydraulic Sleeve clamp is built to handle welded sleeves up to ¾" thick and up to 70,000 PSI tensile strength.

Unlike the common and unsafe application of a bottle jack and chain, this purpose-built clamp provides virtually 360 degrees of clamping force for perfect fit-ups.

The easy to operate hydraulic closure system makes set up and removal easy and quick.

Why risk the chance for flying jacks and falling sleeves when finally, there's a better solution?

All models feature a 2-speed hydraulic hand pump for quicker installation and high-strength modular design for safer handling.

There are 4 models of clamps for any specific need and application - 5,000 PSI or 10,000 PSI of clamping pressure and 6" to 24" or 6" to 48" range for sleeves up to ¾" (19mm) thick.

All clamps include a rugged steel transportation and storage box.



DB-724
5,000 PSI



DC-724
10,000 PSI

- Safe** - No unstable bottle jacks to suddenly slip and disengage
- Precise** - Equal clamping force provides better fit-up
- Easy to Handle** - Engineered to be installed by one person
- Adaptable** - Fits a wide range of pipe sizes and sleeve thicknesses
- Durable** - Rugged corrosion-resistant construction for years of use

UNSAFE



SAFE



Mathey Dearman Hydraulic Sleeve clamp includes:

- Nickel plated carbon steel duplex roller chain (DB models) or nickel plated carbon steel leaf chain (DC models) for pipe size range
- High strength stainless steel main block with hydraulic cylinder
- 2-Speed hand operated hydraulic pump
- Heavy duty transportation and storage box
- Parts and operating manual

Mathey Dearman Hydraulic Sleeve clamp

| PART NO | PIPE SIZE RANGE | | CLAMPING PRESSURE | CHAIN | WEIGHT - SLEEVE CLAMP ONLY | | SHIPPING WEIGHT | |
|---------|-----------------|----------------|-------------------|--------|----------------------------|-------|-----------------|-------|
| DB-724 | 6" - 24" | 152 - 610 mm | 5,000 p.s.i. | DB-300 | 31 lbs. | 14 kg | 76 lbs. | 34 kg |
| DB-748 | 6" - 48" | 152 - 1,219 mm | 5,000 p.s.i. | DB-300 | 48 lbs. | 22 kg | 93 lbs. | 42 kg |
| DC-724 | 6" - 24" | 152 - 610 mm | 10,000 p.s.i. | DC-300 | 50 lbs. | 23 kg | 94 lbs. | 43 kg |
| DC-748 | 6" - 48" | 152 - 1,219 mm | 10,000 p.s.i. | DC-300 | 81 lbs. | 37 kg | 125 lbs. | 57 kg |





PIPE RIGGING EQUIPMENT



Mathey Dearman's Pipe Cradles and Slings are an effective way to move pipe, specifically designed for pipeline installation projects. Mathey Dearman currently offers cradles from 2" - 36" and all are equipped with 4 inch urethane "round cut" wheels with sealed anti-friction bearings. All spreader bar designs are third party tested and comply with industry standards. These models are equipped with 5/8" wire rope and all rope is swaged and certified.

Features and advantages

- Durable 95a urethane coating designed for multiple uses
- Sealed anti-friction bearings
- Measures 4" tread width x 4.5" diameter
- 5/8" wire rope, swaged
- Machined hub for smooth wheel rotation



2001



2002



2003



2004

Sealed bearing wheels with protective metal end flange. Great urethane replacement roller for most other brands. 4" x 6" with radius cutout for pipe shape and designed for 5/8" wire rope.

4" Roller
PN 90024



| ITEM NUMBER | DESCRIPTION | LOAD CAPACITY |
|-------------|----------------------------------|-------------------------|
| 2001-3 | Roller Sling 2" - 8" | 1,300 kg / 3,000 lbs. |
| 2001-4 | Roller Sling 2" - 12" | 1,300 kg / 3,000 lbs. |
| 2001-5 | Roller Sling 2" - 18" | 1,300 kg / 3,000 lbs. |
| 2001-7 | Roller Sling 2" - 24" | 1,300 kg / 3,000 lbs. |
| 2002 | 2 Strand Roller Cradle 6" - 12" | 7,710 kg / 17,000 lbs. |
| 2003 | 2 Strand Roller Cradle 12" - 24" | 7,710 kg / 17,000 lbs. |
| 2004 | 4 Strand Roller Cradle 12" - 24" | 12,700 kg / 28,000 lbs. |
| 2005 | 2 Strand Roller Cradle 24" - 36" | 12,813 kg / 28,250 lbs. |
| 2006 | 4 Strand Roller Cradle 24" - 36" | 25,700 kg / 56,500 lbs. |

Mathey Dearman's Pipe Launchers have fully compatible parts that can change from a pipe rack clamping roller to a pipeline launcher in just a few minutes.

The unique clamping system fastens the roller to an I-beam from both sides of the flange.

This option is great for installing and fabricating pipe in pipe racks or other tight and enclosed areas.

Also, the roller mechanism can be attached to a stand better suited for pipeline work and/or directional drilling.



PN 2115 - 2" - 24" - 2,500 lbs.



PN 2115 HD - 2" - 24" - 7,500 lbs.



PN 2126 - 4" - 48" - 10,000 lbs.



PN 2126 HD - 4" - 48" - 20,000 lbs.



PN 2136 - 16" - 60" - 10,000 lbs.



PN 2136 HD - 16" - 60" - 20,000 lbs.

Specifications

- Replaceable urethane roller wheels unbolt in seconds.
- Convenient and safe carry handles.
- Converts from pipe launcher to beam roller.
- Pipe Launchers nest and stack efficiently for shipping and storage.
- Easy part replacement with modular design.
- Add wheels to convert standard capacity to heavy-duty capacity.
- From 2" - 60" pipe capacity.
- Up to 20,000 lbs. weight capacity.

| PART NO. | DESCRIPTION | PIPE CAPACITY | WEIGHT CAPACITY | SHIPPING WEIGHT | DIMENSIONS L X W X H1 - H2 |
|----------|--------------------------------|---------------|-----------------|-----------------|----------------------------|
| 2115 | Pipe Launcher (Two Rollers) | 2" - 24" | 2,500 lbs. | 89 lbs. | 23" x 26" x 16" - 18" |
| 2115HD | Pipe Launcher HD (Six Rollers) | 2" - 24" | 7,500 lbs. | 125 lbs. | 23" x 26" x 16" - 18" |
| 2126 | Pipe Launcher (Two Rollers) | 4" - 48" | 10,000 lbs. | 162 lbs. | 30" x 36" x 16" - 19" |
| 2126HD | Pipe Launcher HD (Six Rollers) | 4" - 48" | 20,000 lbs. | 213 lbs. | 30" x 36" x 16" - 19" |
| 2136 | Pipe Launcher (Two Rollers) | 16" - 60" | 10,000 lbs. | 178 lbs. | 30" x 36" x 16" - 19" |
| 2136HD | Pipe Launcher HD (Six Rollers) | 16" - 60" | 20,000 lbs. | 229 lbs. | 30" x 36" x 16" - 19" |



BEAM CLAMP ROLLERS

Mathey Dearman's Beam Clamp Rollers are used for a variety of industries and applications, typically for installation of pipes into racks at Refineries, Power Stations and other Industrial Plants.

All the Mathey Dearman Beam Clamp Rollers are designed to be light weight, with I-beam clamps for quick installation and various roller head options so that all sizes and weights of pipe can be easily, safely and efficiently installed.

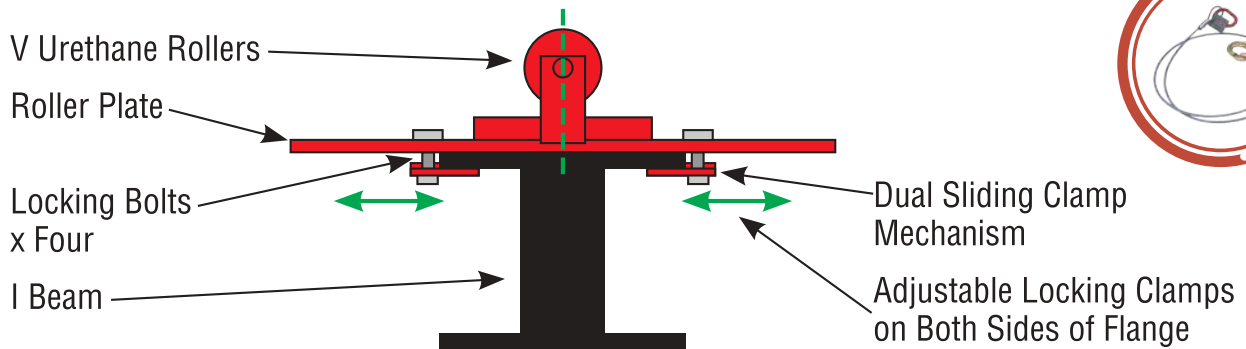
Features and advantages

- Six configurations from 1 - 10 tons capacity
- Three sizes for 2" - 60" pipe diameters
- Urethane wheels with sealed bearings
- Easy to replace wheels, bolt off and on in seconds
- Comes ready to use on Stainless Steel
- Convenient and safe carry handles on all models
- Safety leash included with all models



| PART NO. | 2110 | 2110HD | 2125 | 2125HD | 2135 | 2135HD |
|-------------------------|---|---|--|--|--|--|
| Load Capacity | 1 Ton 1,016 kg 2,240 lbs. | 3 Tons 3,048 kg 6,720 lbs. | 5 Tons 5,080 kg 11,200 lbs. | 10 Tons 10,160 kg 22,400 lbs. | 5 Tons 5,080 kg 11,200 lbs. | 10 Tons 10,160 kg 22,400 lbs. |
| Pipe Diameter Range | 2" - 24" 50 - 610 mm | 2" - 24" 50 - 610 mm | 4" - 48" 100 - 1,220 mm | 4" - 48" 100 - 1,220 mm | 16" - 60" 400 - 1,530 mm | 16" - 60" 400 - 1,530 mm |
| Complete Unit Weight | 27 kg 59 lbs. | 43 kg 95 lbs. | 59 kg 130 lbs. | 82 kg 180 lbs. | 66 kg 145 lbs. | 91 kg 200 lbs. |
| Footprint L x W x H | 16.5" x 20.5" x 8" 41.9 x 52 x 20.3 cm | 16.5" x 20.5" x 8" 41.9 x 52 x 20.3 cm | 19" x 30" x 8.75" 48.3 x 76.2 x 22.2 cm | 19" x 30" x 8.75" 48.3 x 76.2 x 22.2 cm | 21" x 34" x 8.75" 53.3 x 86.4 x 22.2 cm | 21" x 34" x 8.75" 53.3 x 86.4 x 22.2 cm |
| Beam Flange Width Range | 6" - 12" 150 x 300 mm | 6" - 12" 150 x 300 mm | 6" - 12" 150 x 300 mm | 6" - 12" 150 x 300 mm | 6" - 12" 150 x 300 mm | 6" - 12" 150 x 300 mm |

Roller Maintains at Center of I Beam





SPECIALIZED FABRICATION EQUIPMENT GROUP

Global Locations:



UNITED STATES HEAD OFFICE - HOUSTON

SPECIALIZED FABRICATION EQUIPMENT GROUP

4433 South Drive,
Houston,
Texas 77053, USA

Tel: +1 713 747 8502

E-mail: sales@sfe-brands.com

INTERNATIONAL HEAD OFFICE - FRANCE

SPECIALIZED FABRICATION EQUIPMENT GROUP

330B Route de Portes Les Valence,
ZI les Bosses,
26800 Etoile-sur-Rhône, France

Tel: + 33 (0) 475 575 070

E-mail: sales-int@sfe-brands.com

SFE UNITED KINGDOM

SPECIALIZED FABRICATION EQUIPMENT GROUP

Unit 15 & 16 Grendon Industrial Estate,
Grendon Underwood, Aylesbury,
Buckinghamshire, HP18 0QX England

Tel: +44 (0)1869 324 144

E-mail: sales-uk@sfe-brands.com

SFE GERMANY

SPECIALIZED FABRICATION EQUIPMENT GROUP

Ostmarkstrasse 15,
76437 Rastatt,
Germany

Tel: +49 (0)7222 9355100

E-mail: sales-germany@sfe-brands.com

SFE KINGDOM OF SAUDI ARABIA

SPECIALIZED FABRICATION EQUIPMENT GROUP

Warehouse No: EM16-10, Air Base Determinant,
Industrial supply scheme, Ash Shulah, Dammam
34264, Saudi Arabia

Tel: + 966 50 515 8196

E-mail: sales-ksa@sfe-brands.com

SFE MIDDLE EAST

SPECIALIZED FABRICATION EQUIPMENT GROUP

Shams Freezone
Sharjah

United Arab Emirates

Tel: +971 (0)50 217 1376

E-mail: sales-me@sfe-brands.com

SFE INDIA

SPECIALIZED FABRICATION EQUIPMENT GROUP

Plot No. PAP 3, D 3 Block,
Chinchwad, Pune 411 019

Mob: +91 90 1102 4332

Mob: +91 95 5258 4361

E-mail: sales-india@sfe-brands.com

SFE LATIN AMERICA

SPECIALIZED FABRICATION EQUIPMENT GROUP

4433 South Drive,
Houston,
Texas 77053, USA

Tel: +1 713 747 8502

E-mail: sales-latam@sfe-brands.com

SFE SOUTH KOREA

SPECIALIZED FABRICATION EQUIPMENT GROUP

102 - 1301 Bucheon Technopark III
421 - 742 Gyeonggi-do-seoul, Taehan-min'guk
South Korea

Tel: +82 32 624 2870

E-mail: sales-asia@sfe-brands.com

SFE VIETNAM

SPECIALIZED FABRICATION EQUIPMENT GROUP

Emerald Block A, No.2, Road N4,
Son Ky Ward, Tan Phu District,
Ho Chi Minh, Vietnam

Tel: +84 91 951 70 18

E-mail: sales-vietnam@sfe-brands.com

SFE CHINA

SPECIALIZED FABRICATION EQUIPMENT GROUP

1208, 12F, #D 7001 Zhongchun RD
Minhang District
Shanghai, China

Tel: +86 215 429 1891

E-mail: sales-china@sfe-brands.com

Copyright © 2022 Specialized Fabrication Equipment Group, All rights reserved.

OUR BRANDS

