



FEBRUARY 2023

# PIPE EQUIPMENT SPECIALISTS COMPLETE BROCHURE

## PIPE BEVELLING MACHINES



## PIPE COLD CUTTING AND BEVELLING MACHINES



## PLATE BEVELLERS





## SPECIALIZED FABRICATION EQUIPMENT GROUP

### Introduction to S.F.E. Group

S.F.E. Group was founded in 2019 after the merger of three world leading OEM's in the field of pipe fabrication tooling and machinery: B&B Pipe and Industrial Tools LLC (USA), Mathey Dearman Inc. (USA) and TAG Pipe Equipment Specialists (UK). Most recently the S.F.E Group has completed the acquisition of the AXXAIR Group (France).

S.F.E. Group offers a wide range of products and is continuously exploring new product design and development, as well as add-on acquisitions to enhance its portfolio and to fulfil increasing industries' demands.

With offices and warehousing on 4 continents, 120 employees and more than 250 partnerships and distributors worldwide, S.F.E. Group prides itself in consistently offering the highest standard of both product quality and service to all its customers.

S.F.E. Group looks forward to welcoming you into its global network as a partner, distributor or end user customer and remains at your disposal at any time.



UNITED STATES HEAD OFFICE - HOUSTON



INTERNATIONAL HEAD OFFICE - FRANCE

### OUR BRANDS

<p>Where There's Pipe, There's Mathey!</p> <ul style="list-style-type: none"><li>PIPE FLAME CUTTING AND BEVELLING</li><li>PIPE ALIGNMENT AND REFORMING CLAMPS</li><li>PIPE RIGGING EQUIPMENT</li></ul> <p>www.MATHEY.COM</p>	<p>The Pipe Fabricators Source</p> <ul style="list-style-type: none"><li>PIPE JACK AND STANDS</li><li>MEGA ROLLERS AND STANDS</li><li>MATERIAL HANDLING EQUIPMENT</li></ul> <p>www.BBPIPETOOLS.COM</p>	<p>World Leading Manufacturer of Pipe Beveling and Cutting Machines</p> <ul style="list-style-type: none"><li>PIPE BEVELLING MACHINES</li><li>PIPE COLD CUTTING MACHINES</li></ul> <p>www.TAG-PIPE.COM</p>	<p>Innovative Orbital Solutions</p> <ul style="list-style-type: none"><li>ORBITAL CUTTING / BEVELLING AND FACING</li><li>ORBITAL WELDING</li></ul> <p>www.AXXAIR.COM</p>	<p>Purging Solutions for the perfect pipe weld!</p> <ul style="list-style-type: none"><li>PIPE DEBURRING SYSTEMS</li><li>LIQUID CRYSTAL MONITORING</li><li>PIPE SCRUBBERS</li></ul> <p>www.PURGEMASTERS.COM</p>	<p>The Pipe Fitters Companion</p> <ul style="list-style-type: none"><li>FIT-UP AND ALIGNMENT TOOLS</li><li>LAYOUT AND MARKING TOOLS</li></ul> <p>www.FIT-UP-PRO.COM</p>
--	--	--	--	---	---



## PIPE EQUIPMENT SPECIALISTS

# Introduction to TAG Pipe Equipment Specialists

The company TAG Pipe Equipment Specialists LTD (TAG PIPE) was originally founded in the United Kingdom in 1985. Its core activities were the manufacturing and supplying of pipework fabrication tools and machinery, as well as handling equipment. Over the years TAG PIPE became internationally one of the foremost leaders in its field.

**S.F.E. Group's TAG PIPE range of cold cutting and bevelling machines is established and recognised as one of the world's leading and prominent brands.**

Being one of the driving factors of the organization's success, TAG PIPE's range of pipe cutting and bevelling machines warranted becoming its own brand in 2019 following the merger in 2019 of B&B Pipe and Industrial Tools LLC (USA), Mathey Dearman Inc. (USA) and TAG Pipe Equipment Specialists (UK) and the recent addition in 2022 of AXXAIR (France) into Specialized Fabrication Equipment (S.F.E.) Group.

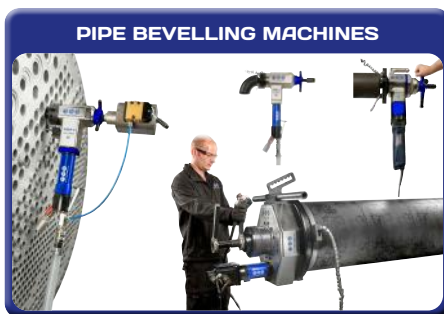
Backed by more than 35 years of development, S.F.E. Group's brand TAG PIPE not only ensures the highest quality heavy duty machines utilising the latest technology, but also an emphasis on continuous R&D.

As an OEM, S.F.E. Group prides itself being renowned for its innovations, ground-breaking developments and patented designs within the TAG PIPE range. With its engineering capabilities, customer-oriented focus and flexibility, the TAG PIPE brand provides the possibility to design out-of-the-box machining applications and solutions to fulfil customers' projects' specific needs in particular and to cater for an ever-evolving industry in general.

The TAG PIPE brand portfolio consists of a complete range of portable pipe bevel machines (**PREP machines** covering 1" - 24"), the TAG PIPE cutting and bevelling **splitframe clamshell machines** (1" - 120"), as well as the stationary, yet moveable **EZ FAB machines** (1" - 24") for pipe cutting and bevelling, the EZ pipe saws and finally the **PMM plate bevel machines**.

TAG PIPE's products are available from the international S.F.E. Group branches on 4 continents, as well as from S.F.E. Group's extensive and continuously expanding global network of partners and distributors.

Get in touch for any pipe cutting and bevelling application.



PIPE BEVELLING MACHINES

TAG manufactures a large range of i/d locking portable end PREP machines ranging from ½" to 42". TAG bevelling machines can produce all types of weld preparations required on any kind of metals from standard carbon steel to tough material such as super duplex and inconel.



PIPE CUTTING MACHINES

TAG also manufactures a diverse range of small, medium and large diameter pipe cutting and bevelling machines for both workshop and job site applications covering from 1" to 120" pipe.

# TABLE OF CONTENTS

Introduction to S.F.E. Group.....	2
Introduction to TAG Pipe Equipment Specialists.....	3
<b>TAG PREP Pipe Beveling Machines</b> .....	<b>5</b>
TAG PREP 2 Pipe Beveling ½" to 1½" .....	5
TAG PREP 3 Pipe Beveling 1" to 3" .....	9
TAG PREP 4 Pipe Beveling 1" to 4" .....	13
TAG PREP 8 Pipe Beveling 2" to 8" .....	17
TAG PREP 16 Pipe Beveling 3" to 16" .....	21
TAG PREP 24 Pipe Beveling 7" to 24" .....	25
TAG PREP 16 and PREP 24 elbow / fittings.....	29
TAG PANEL PREP Machines .....	30
<b>TAG Pipe Cold Cutting Machines</b> .....	<b>31</b>
TAG Split Frame Clamshell Cold Cutting and Beveling Machines 1" to 48" .....	32
TAG Split Frame Clamshell Cold Cutting and Beveling Machines 48" to 120" .....	41
TAG E-Z FAB Pipe Cutting and Beveling Machines 1" to 24" .....	43
TAG E-Z Pipe Saw 1" to 12" .....	48
<b>TAG Plate Beveling Machines</b> .....	<b>49</b>
TAG PMM155 .....	50
TAG PMM200 .....	51
TAG PMM200SS .....	52



**SPECIALIZED FABRICATION EQUIPMENT**  
GROUP

*Our group policy is one of continuous improvements and acquisitions.  
Products and data tables are subject to change or vary from those illustrated.*

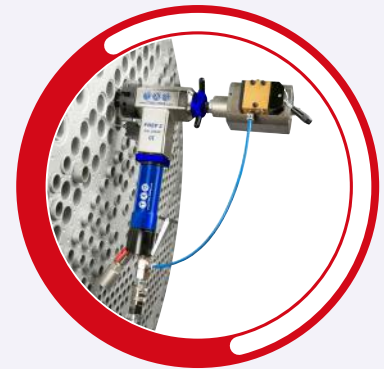
**OUR BRANDS**





PIPE EQUIPMENT SPECIALISTS

# PREP 2 PIPE BEVELLING 1/2" to 1 1/2"



SCAN QR CODE  
TO WATCH VIDEO



**RANGE: 23 - 42mm i/d / 0.9 - 1.5" i/d**  
**(optional from 12.5mm i/d / 0.5" i/d)**

- **Functions:** External beveling / internal beveling / elbow and fittings beveling / facing, counter-boring / weld removal / J-prepping and facing of tube plate
- **Materials:** Any kind of steel and exotic alloy
- **Power:** Pneumatic, electric or battery (110v or 220v)

The smallest in our range of i/d locking, direct in-line feed end prep machines. The PREP 2 is small, light weight, yet powerful, in electric, battery (110v or 220v) or pneumatic drive form. A 4-jaw tool holder (chuck) allows use of up to 4 formed tools to enable weld preparation of thin wall tube, or heavy wall pipe. Simultaneous external and internal beveling and facing of tubes is simple, ideal for accurate repetitive work. Its size, power, and functionality, make it extremely popular in high volume heat exchanger work, tube facing, weld removal, and J-prepping of the tube plate. Also used extensively on power station shutdowns for boiler panel bevels.

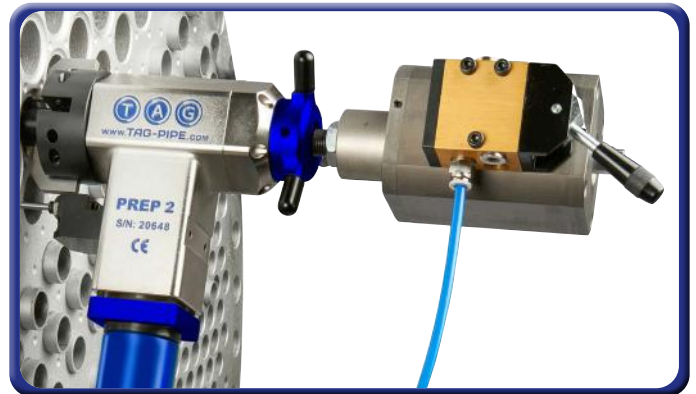


**FEATURES AND ADVANTAGES**

The PREP 2 is torque reactive. This means that the pipe or tube does not have to be fixed to be bevelled, making it particularly useful on-site, in maintenance and repair situations. This is due to the design and strength of the thru shaft system that locks to the bore of the pipe.

The jaw system itself consists of 3 equilateral positioned machined jaw segments, retained and locked on an inner, 'grooved' expansion shaft. These grooves keep the jaws held securely in position, unlike other systems that use a metal or rubber bands for jaw retention. As the expansion nut is tightened, the jaws expand, locking tightly, and square to the bore of the pipe.

The machine body is CNC machined out of solid aluminum and nickel plated. This ensures strength and leads to precise tolerances on all components, resulting in a stable heavy duty machine that does not move under load, we also ensure all components are treated utilising the latest technologies to ensure durability.



# POWER OPTIONS:

**PNEUMATIC**



**PART NO. TP2P**

**ELECTRIC**



**PART NO. TP2E110**  
**PART NO. TP2E220**

**BATTERY**



**PART NO. TP2B110**  
**PART NO. TP2B220**

**PNEUMATIC ALD**



**PART NO. TP2PALD**

**COMPLETE LEVER**



**PART NO. TP2PALL**

# ACCESSORIES AND OPTIONS:

**REDUCED SHAFT**

12.5 - 23mm i/d  
0.5 - 0.9" i/d



**PART NO. TP2RSK**

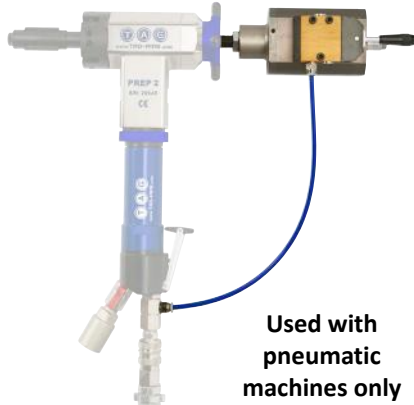
**ELBOW / FITTINGS SHAFT**



26 - 51mm i/d  
1 - 2" i/d

**PART NO. TP2ESK**

**AUTO LOCK**



Used with  
pneumatic  
machines only

**PART NO. TP2ALD**

**RATCHET HANDLES**



**PART NO. TP2RHK**

**FEED STOPPER**



**PART NO. TP2FSK**

**MILLING HEADS**



**PART NO. CTBHSF\*\*\***

## PREP 2 TECHNICAL FEATURES

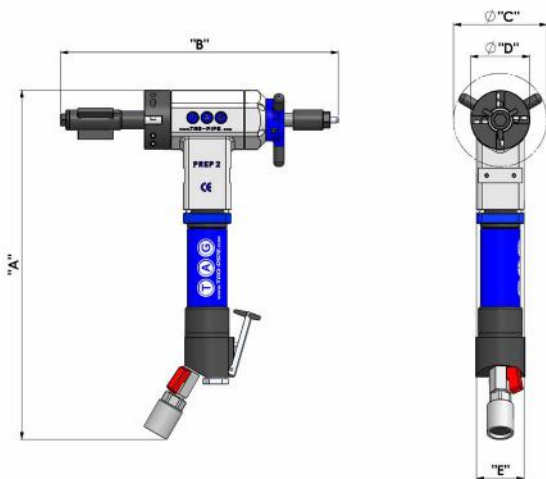
DESCRIPTION	MEASUREMENT	PNEUMATIC	ELECTRIC	BATTERY
Part Number	n/a	TP2P / TP2PALD / TP2PALL	TP2E110 / TP2E220	TP2B110 / TP2B220
Locking tube range	mm (i/d)	23 - 42 optional from 12.5	23 - 42 optional from 12.5	23 - 42 optional from 12.5
Locking tube range	inch (i/d)	0.9 - 1.5" optional from 0.5"	0.9 - 1.5" optional from 0.5"	0.9 - 1.5" optional from 0.5"
Idle speed	rpm	5 - 215	5 - 250	80 / 120 / 160
Torque	N m	56	50	60
Length of axial feed	mm	24	24	24
Max operating temperature	°C	55	55	55
Max acoustic radiation	dB	75	75	75
Pneumatic motor power	hp	0.7	n/a	n/a
Air consumption	cfm / l/min.	28 / 800	n/a	n/a
Air working pressure	psi / bar	90 / 6.5	n/a	n/a
Air hose connection	inches	½"	n/a	n/a
Electric motor power	watt	n/a	720	800
Voltage	volt	n/a	110 or 220	charger 110 or 220
Frequency	Hz	n/a	50 / 60	charger 50 / 60
Unit weight	kg / lbs	4.8 / 10.6	5.5 / 12	5.7 / 12.5
Packing dimensions	mm	545 x 400 x 120	545 x 400 x 120	560 x 570 x 120
Packing weight	kg / lbs	13.5 / 30	14.5 / 32	15.5 / 34

*Our group policy is one of continuous improvement. Products and data tables are subject to change or vary from those illustrated.*

- All units are supplied complete with all gripping segments to cover the full range of the machine. Service tools, drawings, instruction manual and warranty certificate are also supplied as standard.
- Each machine is supplied with a protective custom built metal box.
- Pneumatic machine must be used with filter lubricator and oil - use without will void warranty.



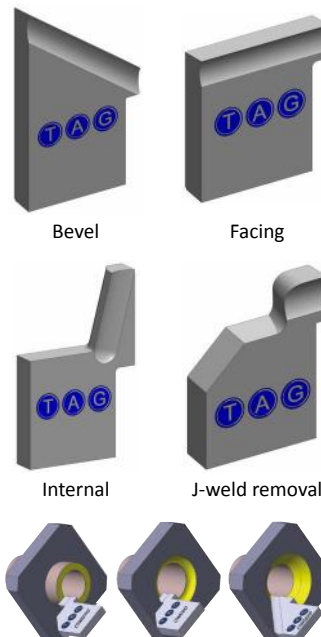
### DIMENSIONS



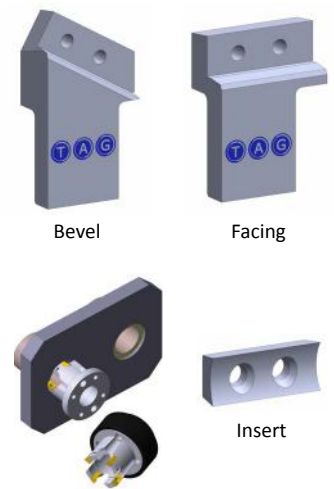
DIM	PNEUMATIC	ELECTRIC	BATTERY
A	400mm	430mm	470mm
B	316mm	316mm	316mm
∅C	106mm	106mm	106mm
∅D	67mm	67mm	67mm
E	54mm	72mm	72mm

### EXAMPLES OF COMMON CUTTING TOOLS

#### FORMED TOOLS



#### HOLDER / INSERT



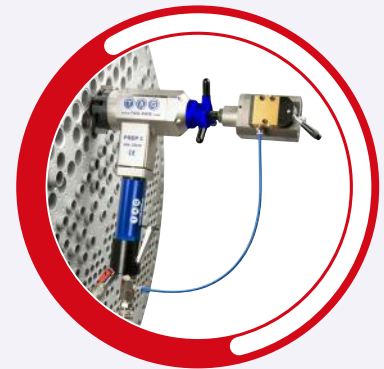
All shapes, sizes and angles available





PIPE EQUIPMENT SPECIALISTS

# PREP 3 PIPE BEVELLING 1" to 3"



SCAN QR CODE  
TO WATCH VIDEO



# TAG PREP 3

Portable Pipe Beveling Machine



**RANGE: 28 - 76mm i/d / 1 - 3" i/d**  
**(optional from 20mm i/d / 0.8" i/d)**

- **Functions:** External beveling / internal beveling / elbow and fittings beveling / facing / counter-boring / weld removal / J-prepping and facing of tube plate
- **Materials:** Any kind of steel and exotic alloy
- **Power:** Pneumatic, electric or battery (110v or 220v)

The PREP 3 is a popular i/d locking, in-line feed end prep machines. The PREP 3's power to weight ratio, in electric, battery (110v or 220v), or pneumatic drive form is unrivalled.

A 4-jaw tool holder (chuck) allows use of up to 4 insert or formed tools to enable beveling of heavy wall pipe and tube. Simultaneous external, internal and facing of tubes can be performed with ease for accurate repetitive work. Its size, power, and functionality, makes it extremely popular in high volume boiler repair and maintenance work, tube facing, weld removal, and J-prepping of the tube plates and panels.

## FEATURES AND ADVANTAGES

The PREP 3 is torque reactive. This means that the pipe or tube does not have to be fixed to be bevelled, making it particularly useful on-site, in maintenance and repair situations. This is due to the design and strength of the thru shaft system that locks to the bore of the pipe.

The jaw system itself consists of 3 equilateral positioned machined jaw segments, retained and locked on an inner, 'grooved' expansion shaft. These grooves keep the jaws held securely in position, unlike other systems that use a metal or rubber bands for jaw retention. As the expansion nut is tightened, the jaws expand, locking tightly, and square to the bore of the pipe.

The machine body is CNC machined out of solid aluminum and nickel plated. This ensures strength and leads to precise tolerances on all components, resulting in a stable heavy duty machine that does not move under load, we also ensure all components are treated utilising the latest technologies to ensure durability.



# POWER OPTIONS:

**PNEUMATIC**



**PART NO. TP3P**

**ELECTRIC**



**PART NO. TP3E110 / TP3E220**

**BATTERY**



**PART NO. TP3B110 / TP3B220**

**PNEUMATIC ALD**



**PART NO. TP3PALD**

# ACCESSORIES AND OPTIONS:


**REDUCED SHAFT**

20 - 30mm i/d  
0.8 - 1.2" i/d



**PART NO. TP3RSKV2**

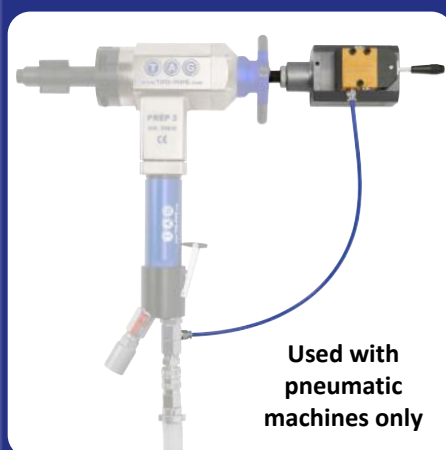
**ELBOW / FITTINGS SHAFT**



38 - 79mm i/d  
1.5 - 3" i/d

**PART NO. TP3ESKV2**

**AUTO LOCK**



Used with  
pneumatic  
machines only

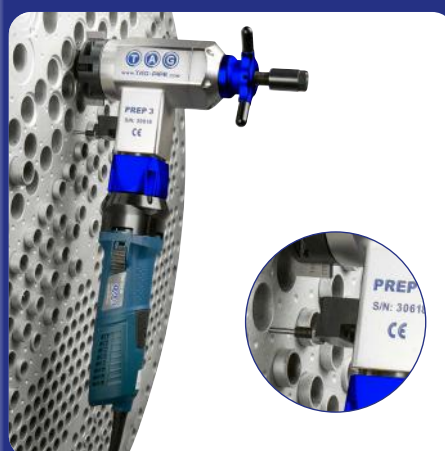
**PART NO. TP3ALD**

**RATCHET HANDLES**



**PART NO. TP3RHKV2**

**FEED STOPPER**



**PART NO. TP3FSK**

**MILLING HEADS**



**PART NO. CTMH\*\*\*BMR**

## PREP 3 TECHNICAL FEATURES

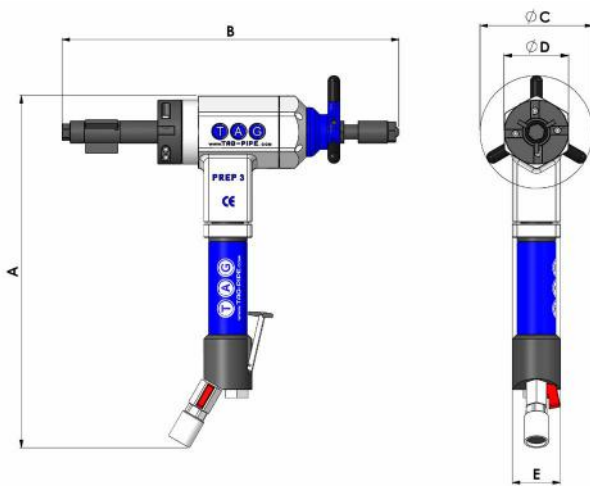
DESCRIPTION	MEASUREMENT	PNEUMATIC	ELECTRIC	BATTERY
Part Number	n/a	TP3P / TP3PALD	TP3E110 / TP3E220	TP3B110 / TP3B220
Locking tube range	mm (i/d)	28 - 76 optional from 20	28 - 76 optional from 20	28 - 76 optional from 20
Locking tube range	inch (i/d)	1 - 3" optional from 0.8"	1 - 3" optional from 0.8"	1 - 3" optional from 0.8"
Idle speed	rpm	5 - 120	5 - 82	23 / 37 / 50
Torque	N m	140	152	140
Length of axial feed	mm	40.5	40.5	40.5
Max operating temperature	°C	55	55	55
Max acoustic radiation	dB	75	75	75
Pneumatic motor power	hp	1.35	n/a	n/a
Air consumption	cfm / l/min.	36 / 1020	n/a	n/a
Air working pressure	psi / bar	90 / 6.5	n/a	n/a
Air hose connection	inches	½"	n/a	n/a
Electric motor power	watt	n/a	1300	800
Voltage	volt	n/a	110 or 220	charger 110 or 220
Frequency	Hz	n/a	50 / 60	charger 50 / 60
Unit weight	kg / lbs	8.9 / 19.5	9.9 / 22	10.4 / 23
Packing dimensions	mm	640 x 500 x 140	640 x 500 x 140	640 x 640 x 140
Packing weight	kg / lbs	23 / 51	24 / 53	25 / 55

*Our group policy is one of continuous improvement. Products and data tables are subject to change or vary from those illustrated.*

- All units are supplied complete with all gripping segments to cover the full range of the machine. Service tools, drawings, instruction manual and warranty certificate are also supplied as standard.
- Each machine is supplied with a protective custom built metal box.
- Pneumatic machine must be used with filter lubricator and oil - use without will void warranty.



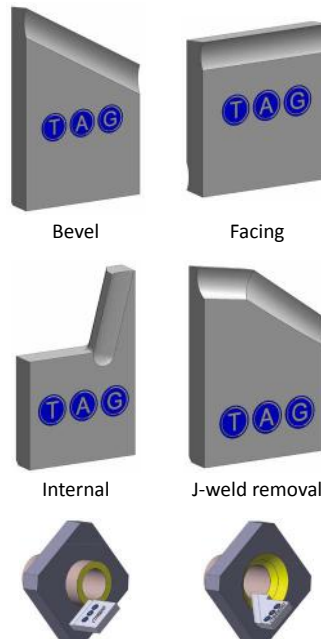
### DIMENSIONS



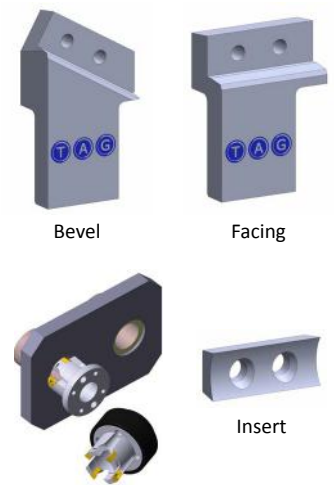
DIM	PNEUMATIC	ELECTRIC	BATTERY
A	435mm	500mm	530mm
B	402mm	402mm	402mm
ØC	140mm	140mm	140mm
ØD	80mm	80mm	80mm
E	60mm	90mm	90mm

### EXAMPLES OF COMMON CUTTING TOOLS

#### FORMED TOOLS



#### HOLDER / INSERT



All shapes, sizes and angles available



PIPE EQUIPMENT SPECIALISTS

# PREP 4 PIPE BEVELLING 1" to 4"



SCAN QR CODE  
TO WATCH VIDEO



# TAG PREP 4

Portable Pipe Beveling Machine

**RANGE: 23 - 112mm i/d / 1 - 4" i/d**

- **Functions:** External beveling / internal beveling / elbow and fittings beveling / facing / counter-boring / weld removal / J-prepping and facing of tube plate
- **Materials:** Any kind of steel and exotic alloy
- **Power:** Pneumatic, electric or battery (110v or 220v)

The PREP 4 is one of our most popular i/d locking, in-line feed end prep machines. The PREP 4's power to weight ratio, in electric, battery (110v or 220v), or pneumatic drive form is unrivalled. A 4-jaw tool holder (chuck) allows use of up to 4 insert or formed tools to enable beveling of heavy wall pipe and tube, simultaneous external, internal and facing of tubes can be performed with ease for accurate repetitive work. Its size, power, and functionality, makes it extremely popular in high volume boiler repair and maintenance work, tube facing, weld removal, and J-prepping of the tube plate.

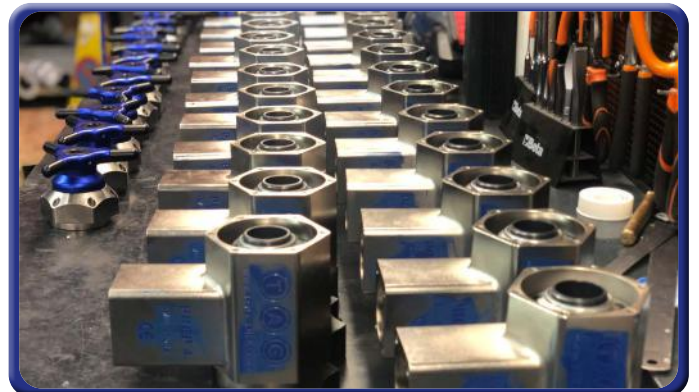


## FEATURES AND ADVANTAGES

The PREP 4 is torque reactive. This means that the pipe or tube does not have to be fixed to be bevelled, making it particularly useful on-site, in maintenance and repair situations. This is due to the design and strength of the thru shaft system that locks to the bore of the pipe.

The jaw system itself consists of 3 equilateral positioned machined jaw segments, retained and locked on an inner, 'grooved' expansion shaft. These grooves keep the jaws held securely in position, unlike other systems that use a metal or rubber bands for jaw retention. As the expansion nut is tightened, the jaws expand, locking tightly, and square to the bore of the pipe.

The machine body is CNC machined out of solid aluminum and nickel plated. This ensures strength and leads to precise tolerances on all components, resulting in a stable heavy duty machine that does not move under load, we also ensure all components are treated utilising the latest technologies to ensure durability.



# POWER OPTIONS:

**PNEUMATIC**



**PART NO. TP4P**

**ELECTRIC**



**PART NO. TP4E110 / TP4E220**

**BATTERY**



**PART NO. TP4B110 / TP4B220**

**PNEUMATIC ALD**



**PART NO. TP4PALD**

# ACCESSORIES AND OPTIONS:

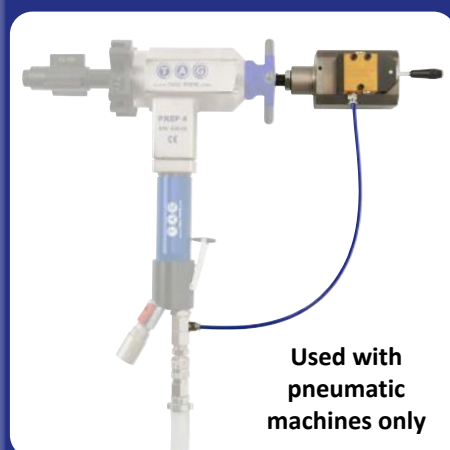
**ELBOW / FITTINGS SHAFT**



**38 - 111mm i/d  
1.5 - 4" i/d**

**PART NO. TP4ESKV2**

**AUTO LOCK**



**Used with  
pneumatic  
machines only**

**PART NO. TP4ALD**

**RATCHET HANDLES**



**PART NO. TP4RHKV2**

**FILTER LUBRICATOR**



**PART NO. AFL1**



## PREP 4 TECHNICAL FEATURES

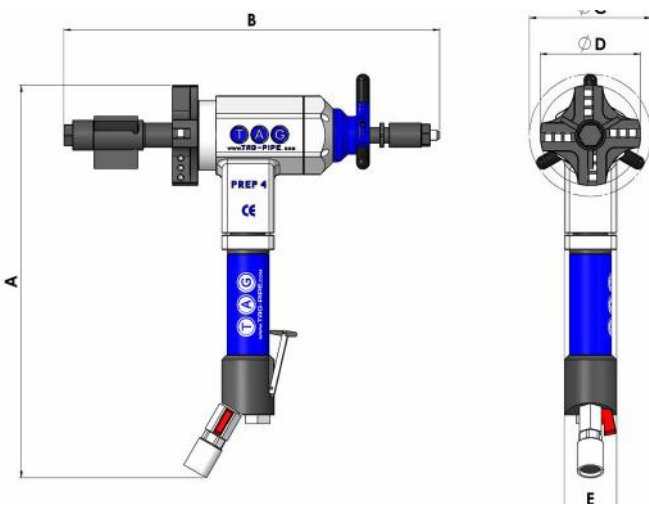
DESCRIPTION	MEASUREMENT	PNEUMATIC	ELECTRIC	BATTERY
Part Number	n/a	TP4P / TP4PALD	TP4E110 / TP4E220	TP4B110 / TP4B220
Locking tube range	mm (i/d)	23 - 112	23 - 112	23 - 112
Locking tube range	inch (i/d)	1 - 4"	1 - 4"	1 - 4"
Idle speed	rpm	5 - 100	5 - 82	23 / 37 / 50
Torque	N m	176	152	140
Length of axial feed	mm	40.5	40.5	40.5
Max operating temperature	°C	55	55	55
Max acoustic radiation	dB	75	75	75
Pneumatic motor power	hp	1.35	n/a	n/a
Air consumption	cfm / l/min.	36 / 1020	n/a	n/a
Air working pressure	psi / bar	90 / 6.5	n/a	n/a
Air hose connection	inches	½"	n/a	n/a
Electric motor power	watt	n/a	1300	800
Voltage	volt	n/a	110 or 220	charger 110 or 220
Frequency	Hz	n/a	50 / 60	charger 50 / 60
Unit weight	kg / lbs	9.4 / 20.7	10.4 / 23	11.1 / 24.5
Packing dimensions	mm	640 x 500 x 140	640 x 500 x 140	640 x 640 x 140
Packing weight	kg / lbs	28.5 / 63	29.5 / 65	30.5 / 67

*Our group policy is one of continuous improvement. Products and data tables are subject to change or vary from those illustrated.*

- All units are supplied complete with all gripping segments to cover the full range of the machine. Service tools, drawings, instruction manual and warranty certificate are also supplied as standard.
- Each machine is supplied with a protective custom built metal box.
- Pneumatic machine must be used with filter lubricator and oil - use without will void warranty.



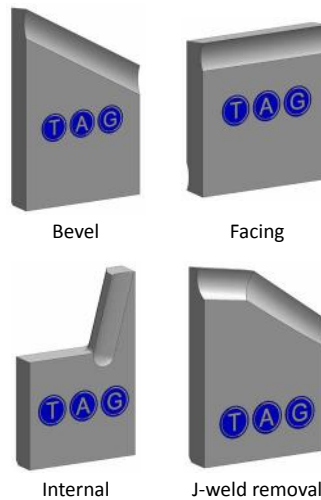
### DIMENSIONS



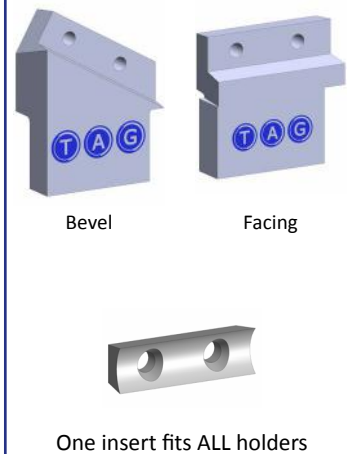
DIM	PNEUMATIC	ELECTRIC	BATTERY
A	455mm	510mm	540mm
B	434mm	434mm	434mm
∅C	140mm	140mm	140mm
∅D	115mm	115mm	115mm
E	60mm	90mm	90mm

### EXAMPLES OF COMMON CUTTING TOOLS

#### FORMED TOOLS



#### HOLDER / INSERT



***All shapes, sizes and angles available***





PIPE EQUIPMENT SPECIALISTS

# PREP 8 PIPE BEVELLING 2" to 8"



SCAN QR CODE  
TO WATCH VIDEO



**RANGE: 50 - 211mm i/d / 2 - 8" i/d**

- **Functions:** External beveling / internal beveling / elbow and fittings beveling / facing / counter-boring / weld removal / J-prepping / compound bevels
- **Materials:** Any kind of steel and exotic alloy
- **Power:** Pneumatic or electric (110v or 220v)

One of our most powerful and popular i/d locking, in-line feed end prep machines. This is mainly due to its impressive 2 - 8" working range and unrivalled power. The PREP 8 is a portable, one man operation machine, its power to weight ratio, and offset 4-jaw tool holder (chuck) allows use of up to 4 insert or formed tools to enables simultaneous external, internal beveling of even the heaviest wall pipe. The PREP 8 is a real workhorse. Its size, power, and functionality, make it extremely popular in high volume heavy duty beveling applications, on site, or in the workshop.



### FEATURES AND ADVANTAGES

The PREP 8 is torque reactive. This means that the pipe or tube does not have to be fixed to be bevelled, making it particularly useful on-site, in maintenance and repair situations. This is due to the design and strength of the thru shaft system that locks to the bore of the pipe.

The jaw system itself consists of 3 equilateral positioned machined jaw segments, retained and locked on an inner, 'grooved' expansion shaft. These grooves keep the jaws held securely in position, unlike other systems that use a metal or rubber bands for jaw retention. As the expansion nut is tightened, the jaws expand, locking tightly, and square to the bore of the pipe.

The machine body is CNC machined out of solid aluminum and nickel plated. This ensures strength and leads to precise tolerances on all components, resulting in a stable heavy duty machine that does not move under load, we also ensure all components are treated utilising the latest technologies to ensure durability.



# POWER OPTIONS:

**PNEUMATIC**



**PART NO. TP8P**

**ELECTRIC**



**PART NO. TP8E110 / TP8E220**

**PNEUMATIC ALD**



**PART NO. TP8PALD**



# ACCESSORIES AND OPTIONS:

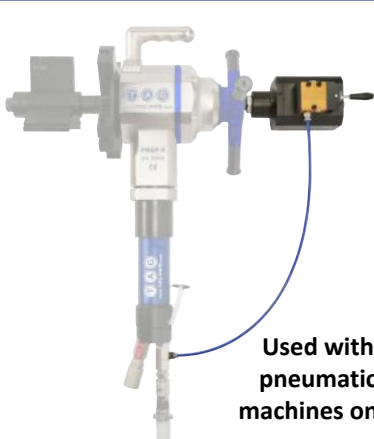
**ELBOW / FITTINGS SHAFT**



56 - 215mm i/d  
2 - 8" i/d

**PART NO. TP8ESK**

**AUTO LOCK**



Used with  
pneumatic  
machines only

**PART NO. TP8ALD**

**RATCHET HANDLES**



**PART NO. TP8RHK**

**FILTER LUBRICATOR**



**PART NO. AFL1**



## PREP 8 TECHNICAL FEATURES

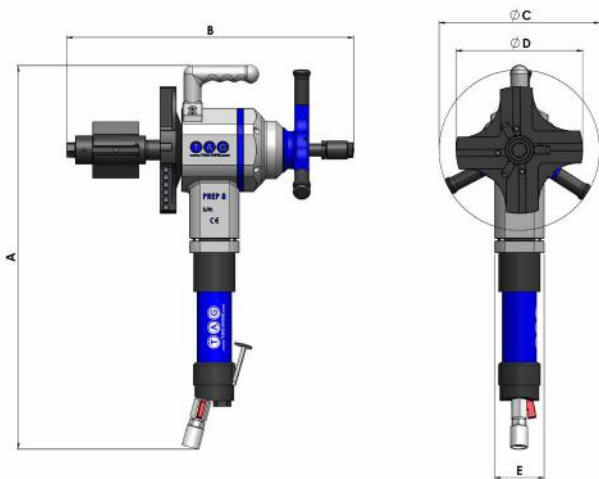
DESCRIPTION	MEASUREMENT	PNEUMATIC	ELECTRIC
Part Number	n/a	TP8P / TP8PALD	TP8E110 / TP8E220
Locking tube range	mm (i/d)	50 - 211	50 - 211
Locking tube range	inch (i/d)	2 - 8"	2 - 8"
Idle speed	rpm	5 - 52	5 - 34
Torque	N m	265	280
Length of axial feed	mm	40	40
Max operating temperature	°C	55	55
Max acoustic radiation	dB	75	75
Pneumatic motor power	hp	1.85	n/a
Air consumption	cfm / l/min.	50 / 1400	n/a
Air working pressure	psi / bar	90 / 6.5	n/a
Air hose connection	inches	¾"	n/a
Electric motor power	watt	n/a	1900
Voltage	volt	n/a	110 or 220
Frequency	Hz	n/a	50 / 60
Unit weight	kg / lbs	25 / 55	26 / 57
Packing dimensions	mm	830 x 780 x 250	830 x 610 x 250
Packing weight	kg / lbs	55 / 121	54 / 119

*Our group policy is one of continuous improvement. Products and data tables are subject to change or vary from those illustrated.*

- All units are supplied complete with all gripping segments to cover the full range of the machine. Service tools, drawings, instruction manual and warranty certificate are also supplied as standard.
- Each machine is supplied with a protective custom built metal box.
- Pneumatic machine must be used with filter lubricator and oil - use without will void warranty.



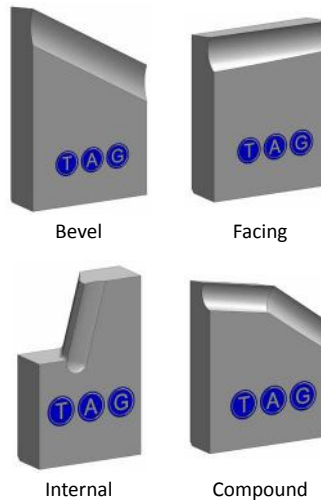
### DIMENSIONS



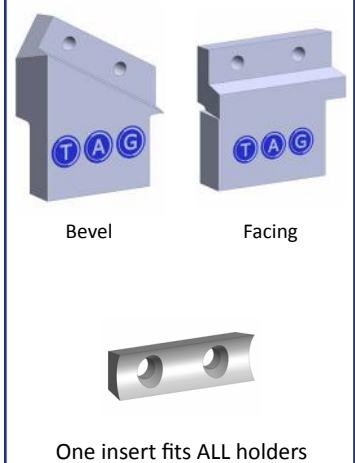
DIM	PNEUMATIC	ELECTRIC
A	670mm	700mm
B	520mm	520mm
∅C	278mm	278mm
∅D	220mm	220mm
E	86mm	90mm

### EXAMPLES OF COMMON CUTTING TOOLS

#### FORMED TOOLS



#### HOLDER / INSERT



***All shapes, sizes and angles available***



PIPE EQUIPMENT SPECIALISTS

# PREP 16 PIPE BEVELLING 3" to 16"



SCAN QR CODE  
TO WATCH VIDEO



**TAG** **PREP 16**  
*Portable Pipe Beveling Machine*

**RANGE: 72 - 400mm i/d / 2.8 - 15.74" i/d**

- **Functions:** External beveling  
 Internal beveling  
 Facing  
 Counter-boring  
 Weld removal  
 J-prepping  
 Compound bevels
- **Materials:** Any kind of steel and exotic alloy
- **Power:** Servo electric (Recommended), pneumatic or hydraulic



**FEATURES AND ADVANTAGES**

The PREP 16 is the first in TAG's new range of a heavy duty mid-large diameter beveling machines.

Offering ratcheted i/d jaw locking as well as ratchet bevel feed control for effortless heavy wall preps, offered with an extremely powerful and user friendly servo electric or pneumatic motor. Any bevel geometry can be performed within the impressive 3" - 16" range.

J-preps, counter boring, and facing can all be performed, simultaneously, using the correct tooling fitted in (up to) 4 heavy duty hardened multi-position tool holders. Due to its light weight, yet unrivalled power, the PREP 16 is ideal for on-site, off shore, nuclear, and other applications where precision welds are required at an incredible value.

The PREP 16, and its bigger brother the PREP 24, utilise ratchet feed and locking. This allows effortless set-up, and enables the operator to deliver consistent feed with minimal effort.



**POWER OPTIONS:**

**SERVO ELECTRIC**

**RECOMMENDED**



**PATENT  
 PENDING**



**PART NO. TP16SE110 / TP16SE220**

**PNEUMATIC**



**PART NO. TP16P**

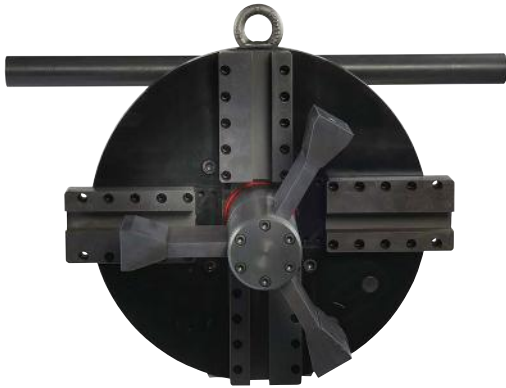
**HYDRAULIC**



**PART NO. TP16H**

# FEATURES:

## SELF-CENTERING



Self-centering 70mm (2.75") one piece locking shaft with built in jaws, eliminates the issue of broken or loosening retaining springs and o-rings.

## UNRIVALLED POWER AND STABILITY



TAG innovative bearing/crown and pinion design combined with our large shaft, delivers unrivalled power and stability.

## SERVO ELECTRIC



**RECOMMENDED**

**PATENT  
PENDING**

SERVO ELECTRIC control box makes the strongest portable pipe bevelling machine available on the market.

## LIFTING HANDLES



To enable ease of set up, the machine is equipped with lifting handles and removable extensions so the machine can be easily installed, and removed from the pipe.

## RATCHET FEED AND LOCKING



The PREP 16 has unrivalled power and stability, utilising a ratchet system for both jaw locking, and bevel feed.

## SIX POINT LOCKING



Innovative wide locking jaws offer 6 point locking from 3 jaws giving superior clamping force for chatter free end preps.

## PREP 16 TECHNICAL FEATURES

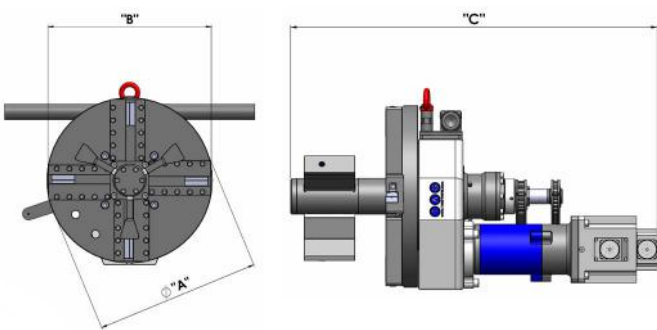
DESCRIPTION	MEASUREMENT	PNEUMATIC	SERVO ELECTRIC	HYDRAULIC
Part Number	n/a	TP16P	TP16SE110 / TP16SE220	TP16H
Locking tube range	mm / inch (i/d)	72 - 400 / 2.8 - 15.74"	72 - 400 / 2.8 - 15.74"	72 - 400 / 2.8 - 15.74"
Working range	mm / inch (o/d)	72 - 406 / 3 - 16"	72 - 406 / 3 - 16"	72 - 406 / 3 - 16"
Idle speed	rpm	5 - 18	1 - 18	1 - 26
Length of axial feed	mm / inch	50 / 2	50 / 2	50 / 2
Max operating temperature	°C	55	60	60
Max acoustic radiation	dB	75	45	55
Pneumatic Motor Power	hp	3.5	n/a	5.4
Air Consuming Flux	cfm / l/min.	90 / 2500	n/a	n/a
Air working pressure	psi / bar	90 / 6.5	n/a	n/a
Air Hose Connection	inches	¾"	n/a	n/a
Servo Electric Motor Power	kw	n/a	1.5	n/a
Voltage	volt	n/a	110 or 220	refer to hydraulic power pack
Frequency	Hz	n/a	50 / 60	refer to hydraulic power pack
Remote Control	Yes / No	No	Yes	Yes
Forward / Reverse	Yes / No	No	Yes	Yes
Unit weight	kg / lbs	43 / 95	44 / 97	41 / 90
Packing dimensions L x W x H	mm	860 x 570 x 530	860 x 570 x 530	860 x 570 x 530
Packing weight	kg / lbs	128 / 282	140 / 305	125 / 275

*Our group policy is one of continuous improvement. Products and data tables are subject to change or vary from those illustrated.*

- All units are supplied complete with all locking jaws to cover the full range of the machine. Service tools, drawings, instruction manual and warranty certificate are also supplied as standard.
- Each machine is supplied with a protective custom built box.
- Pneumatic machine must be used with filter lubricator and oil - use without will void warranty.



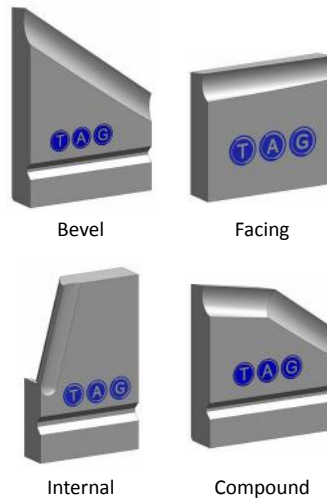
### DIMENSIONS



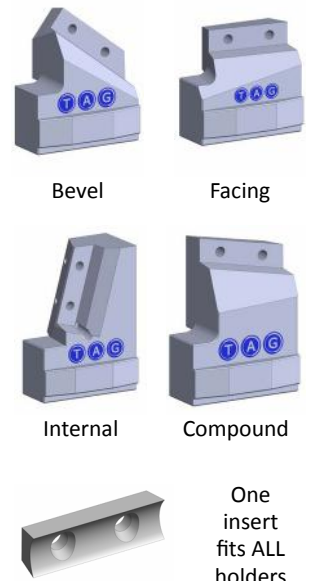
DIMENSIONS		PNEUMATIC	SERVO ELECTRIC	HYDRAULIC
ØA	mm	323	323	323
B	mm	407	407	407
C	mm	750	630	530

### EXAMPLES OF COMMON CUTTING TOOLS

#### FORMED TOOLS



#### HOLDER / INSERT (Recommended)



All shapes, sizes and angles available





PIPE EQUIPMENT SPECIALISTS

# PREP 24 PIPE BEVELLING 7" to 24"



SCAN QR CODE  
TO WATCH VIDEO



**TAG** **PREP 24**  
*Portable Pipe Beveling Machine*

**RANGE: 175 - 600mm i/d / 6.9 - 23.6" i/d**

- **Functions:** External beveling  
 Internal beveling  
 Facing  
 Counter-boring  
 Weld removal  
 J-prepping  
 Compound bevels
- **Materials:** Any kind of steel and exotic alloy
- **Power:** Servo electric (Recommended), pneumatic or hydraulic



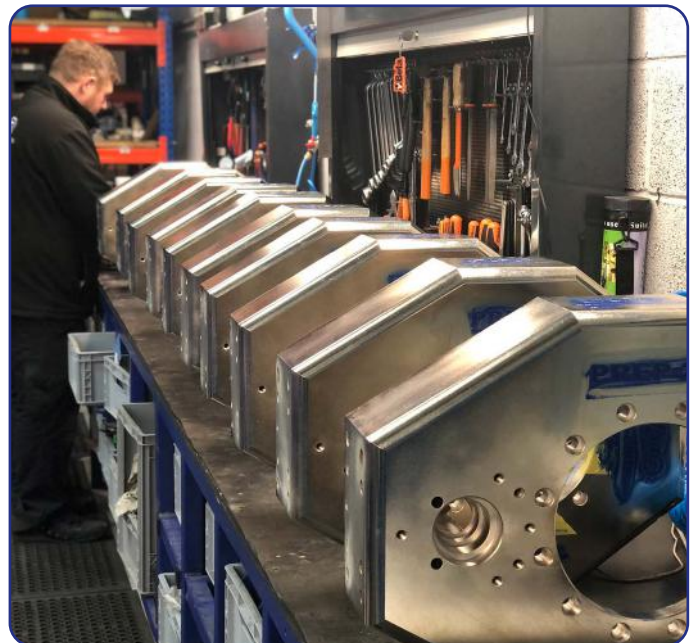
**FEATURES AND ADVANTAGES**

The PREP 24 is the largest in TAG's new range of a heavy duty mid-large diameter beveling machines.

Offering ratcheted i/d jaw locking as well as ratchet bevel feed control for effortless heavy wall preps, offered with an extremely powerful user friendly servo electric or pneumatic motor. Any bevel geometry can be performed within the impressive 7" - 24" range.

J-preps, counter boring, and facing can all be performed, simultaneously, using the correct tooling fitted in (up to) 4 heavy duty hardened multi-position tool holders. Due to its light weight, yet unrivalled power, the PREP 24 is ideal for on-site, off shore, nuclear, and other applications where precision welds are required at an incredible value.

The PREP 24, like the PREP 16 utilise ratchet feed, and locking. This allows effortless setup, and enables the operator to deliver consistent feed with minimal effort.



**POWER OPTIONS:**

**SERVO ELECTRIC**

**RECOMMENDED**



**PATENT  
 PENDING**

**PART NO. TP24SE110 / TP24SE220**

**PNEUMATIC**



**PART NO. TP24P**

**HYDRAULIC**



**PART NO. TP24H**

# FEATURES:

## SELF-CENTERING



Self-centering 150mm (5.9") one piece locking shaft with built in jaws, eliminates the issue of broken or loosening retaining springs and o-rings.

## UNRIVALLED POWER AND STABILITY



TAG innovative bearing/crown and pinion design combined with our large shaft, delivers unrivalled power and stability.

## SERVO ELECTRIC



**RECOMMENDED**

**PATENT  
PENDING**

SERVO ELECTRIC control box makes the strongest portable pipe beveling machine available on the market.

## EXTENSION KITS



Optional extension kits up to 42" available on request.

## RATCHET FEED AND LOCKING



The PREP 24 has unrivalled power and stability, utilising a ratchet system for both jaw locking, and bevel feed.

## SIX POINT LOCKING



Innovative wide locking jaws offer 6 point locking from 3 jaws giving superior clamping force for chatter free end preps.

## PREP 24 TECHNICAL FEATURES

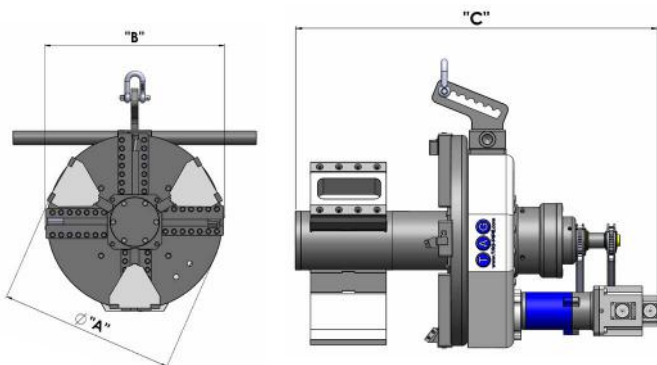
DESCRIPTION	MEASUREMENT	PNEUMATIC	SERVO ELECTRIC	HYDRAULIC
Part Number	n/a	TP24P	TP24SE110 / TP24SE220	TP24H
Locking tube range	mm / inch (i/d)	175 - 600mm / 6.9 - 23.6" (optional up to 42")	175 - 600mm / 6.9 - 23.6" (optional up to 42")	175 - 600mm / 6.9 - 23.6" (optional up to 42")
Working range	mm / inch (o/d)	180 - 604mm / 7 - 24" (optional up to 42")	180 - 604mm / 7 - 24" (optional up to 42")	180 - 604mm / 7 - 24" (optional up to 42")
Idle speed	rpm	2 - 9	2 - 9	2 - 14
Length of axial feed	mm / inch	60 / 2.4	60 / 2.4	60 / 2.4
Max operating temperature	°C	55	60	60
Max acoustic radiation	dB	75	45	55
Pneumatic Motor Power	hp	3.5	n/a	5.4
Air Consuming Flux	cfm / l/min.	90 / 2500	n/a	n/a
Air working pressure	psi / bar	90 / 6.5	n/a	n/a
Air Hose Connection	inches	¾"	n/a	n/a
Servo Electric Motor Power	kw	n/a	1.5	n/a
Voltage	volt	n/a	110 or 220	refer to hydraulic power pack
Frequency	Hz	n/a	50 / 60	refer to hydraulic power pack
Remote Control	Yes / No	No	Yes	Yes
Forward / Reverse	Yes / No	No	Yes	Yes
Unit weight	kg / lbs	214 / 471	216 / 476	210 / 462
Packing dimensions L x W x H	mm	1200 x 840 x 910	1200 x 840 x 910	1200 x 840 x 910
Packing weight	kg / lbs	412 / 908	424 / 935	408 / 900

*Our group policy is one of continuous improvement. Products and data tables are subject to change or vary from those illustrated.*

- All units are supplied complete with all locking jaws to cover the full range of the machine. Service tools, drawings, instruction manual and warranty certificate are also supplied as standard.
- Each machine is supplied with a protective custom built box.
- Pneumatic machine must be used with filter lubricator and oil - use without will void warranty.



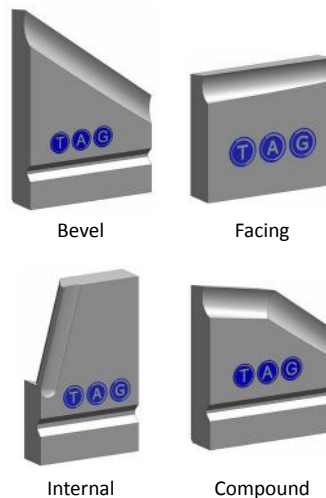
### DIMENSIONS



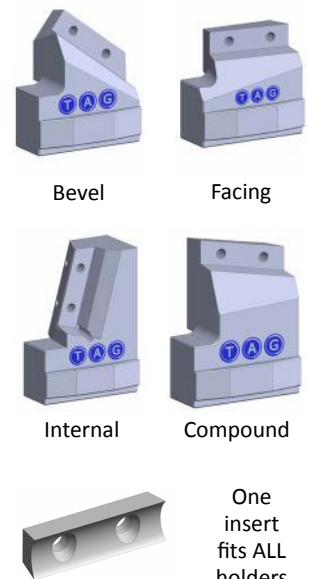
DIMENSIONS		PNEUMATIC	SERVO ELECTRIC	HYDRAULIC
∅A	mm	550	550	550
B	mm	580	580	580
C	mm	1005	955	855

### EXAMPLES OF COMMON CUTTING TOOLS

#### FORMED TOOLS



#### HOLDER / INSERT (Recommended)



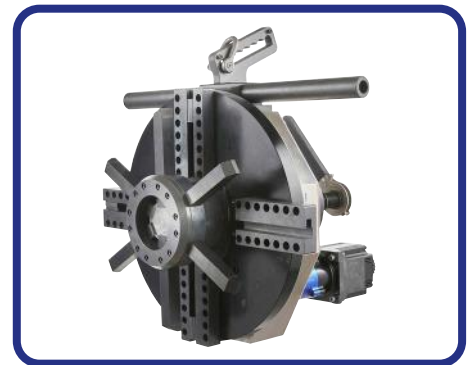
All shapes, sizes and angles available



# PREP 16 AND PREP 24 ELBOW / FITTINGS

*Portable Elbow and Fitting Machine*

The TAG PREP 16 ELBOW / FITTINGS and TAG PREP 24 ELBOW / FITTINGS complete machine enables bevelling, J-preps, counter boring and facing on elbows and pipe fittings, due to its heavy duty yet compact shaft and 6 piece locking jaw system. The machines can be supplied with either servo electric, pneumatic or hydraulic motor.



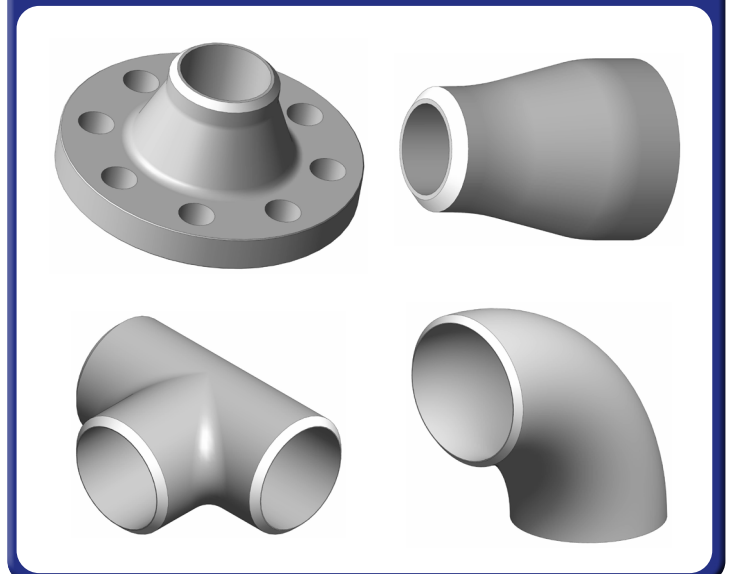
## PREP 16 AND PREP 24 ELBOW / FITTINGS TECHNICAL FEATURES

DESCRIPTION	MEASUREMENT	PNEUMATIC	SERVO ELECTRIC	HYDRAULIC
Part Number	n/a	TP16EP	TP16ESE110 / TP16ESE220	TP16EH
Locking tube range	mm / inch (i/d)	130 - 410mm / 5.11 - 16.14"	130 - 410mm / 5.11 - 16.14"	130 - 410mm / 5.11 - 16.14"
Part Number	n/a	TP24EP	TP24ESE110 / TP24ESE220	TP24EH
Locking tube range	mm / inch (i/d)	210 - 600mm / 8.26 - 23.62"	210 - 600mm / 8.26 - 23.62"	210 - 600mm / 8.26 - 23.62"

## DIMENSIONS PREP 16/24 ELBOW / FITTINGS

	DIMENSIONS		PNEUMATIC	SERVO ELECTRIC	HYDRAULIC
PREP 16	ØA	mm	323	323	323
	B	mm	407	407	407
	C	mm	705	650	550
PREP 24	ØA	mm	550	550	550
	B	mm	580	580	580
	C	mm	755	705	605

## EXAMPLES OF FITTINGS



# TAG PANEL PREP MACHINES

O/D Pipe Beveling Machine

**RANGE: 8 to 108 mm (0.5 - 4")**

- **Functions:** External beveling / internal beveling / facing / counter-boring / weld removal
- **Material:** Steel, stainless steel, duplex, high alloyed

The TAG PANEL PREP attaches to the tube outside diameter by means of custom or specific o/d clamp type jaws that provide strong clamping action that minimizes chatter and vibration.

It is designed for maximum comfort, efficiency, safety, and ease of use. The feed wheel handle enables the operator to comfortably feed the tool during beveling or facing. The TAG PANEL PREP is suitable for small bore heavy wall tubes with a high percentage of chrome, stainless steel, and other exotic alloys.

The machine can be used for standard beveling applications and for opposite tubes.

MODEL	PIPE O/D RANGE	PART NO PNEUMATIC	PART NO ELECTRIC
TAG Panel Prep 2	8 - 53 mm / 0.3 - 2"	TPP2P	TPP2E
TAG Panel Prep 2.5	20 - 63 mm / 0.8 - 2.5"	TPP2.5P	TPP2.5E
TAG Panel Prep 3	25 - 73 mm / 1 - 3"	TPP3P	TPP3E
TAG Panel Prep 3.5	30 - 83 mm / 1.2 - 3.5"	TPP3.5P	TPP3.5E
TAG Panel Prep 4	50 - 108 mm / 2 - 4"	TPP4P	TPP4E



## Clamping Jaws

MODEL	MEASUREMENT	1	2	3	4	5	6	7	8	9	10	11	12	13	14	15	16	17
TAG Panel Prep 2	O/D mm	8	10	12	14	16	18	20	22	25.4	28	32	38	42	45	48	51	53
TAG Panel Prep 2.5	O/D mm	20	22	25.4	28	32	38	42	45	48	51	56	57	60	63	n/a	n/a	n/a
TAG Panel Prep 3	O/D mm	25.4	28	31.8	38	42	45	48	51	57	60	63	68	70	73	n/a	n/a	n/a
TAG Panel Prep 3.5	O/D mm	31.8	38	42	45	48	51	57	60	63	68	70	73	76	83	n/a	n/a	n/a
TAG Panel Prep 4	O/D mm	50	54	57	60	63	68	70	73	76	83	89	95	108	n/a	n/a	n/a	n/a

One clamping jaw is only for one specific pipe size - specials can be made upon request



**PIPE EQUIPMENT SPECIALISTS**

# **SPLIT FRAME CLAMSHELL COLD CUTTING AND BEVELLING MACHINES 1" to 48"**



**SCAN QR CODE  
TO WATCH VIDEO**



# SPLIT FRAME CLAMSHELL COLD CUTTING AND BEVELLING MACHINES 1" to 48"

*Portable O/D Locking Cold Pipe Cutting and Beveling Machines*

**RANGE: 1" to 48" o/d (25 - 1,220mm)**  
*Larger sizes and customised machines available upon request*

- **Functions:** External beveling / internal beveling / counter-boring / compound bevels / J-prep beveling
- **Materials:** Any kind of steel and exotic alloy
- **Power:** Pneumatic, electric (110v or 220v), hydraulic or servo electric motor



		TSFC6	TSFC8	TSFC12	TSFC16	TSFC18	TSFC20	TSFC24
Locking Range	inch o/d	1" - 6"	2" - 8"	6" - 12"	10" - 16"	12" - 18"	14" - 20"	18" - 24"
Locking Range	mm o/d	33.7 - 184	60.3 - 235	168.3 - 350	273 - 425	323.8 - 477	355.6 - 528	457.2 - 640



		TSFC30	TSFC36	TSFC42	TSFC48
Locking Range	inch o/d	24" - 30"	30" - 36"	36" - 42"	42" - 48"
Locking Range	mm o/d	609.6 - 800	762 - 956	914.4 - 1108	1066.8 - 1280



## The basics

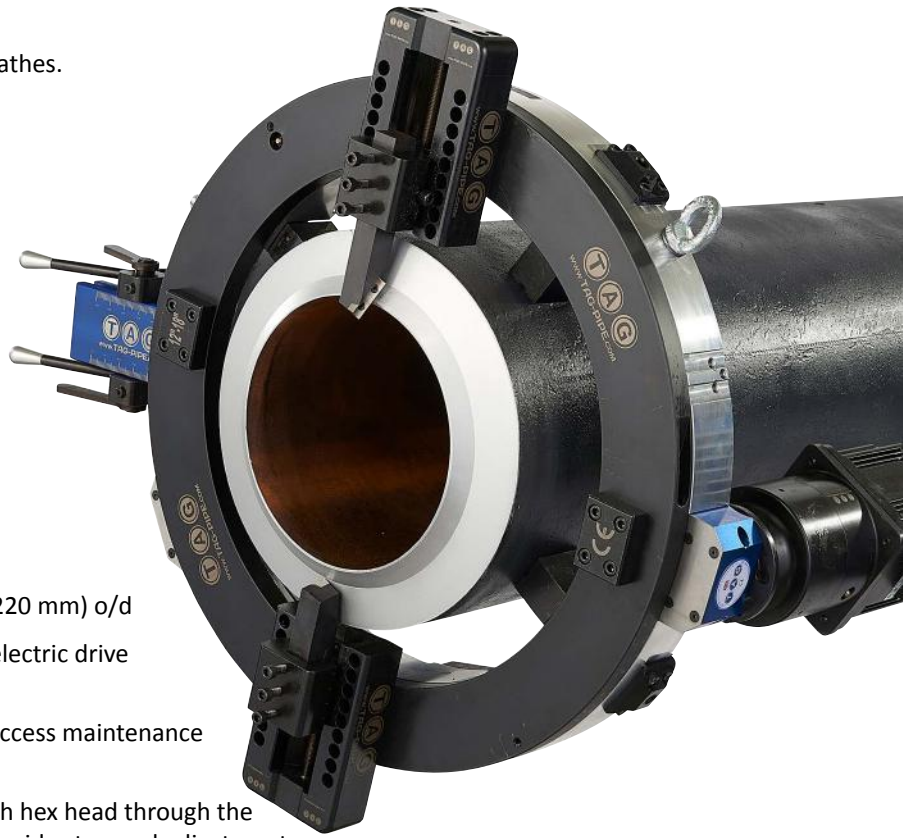
TAG's new split frame clamshells are essentially portable lathes.

Offering the versatility to cut and bevel (simultaneously if required), face, counterbore and o/d machine pipes (and vessels) of almost any diameter.

A light weight aluminium body, encases a steel inner ring gear running on solid bearings, ensuring manageability, yet extreme strength and durability.

Coupled with wide, hardened clamping feet, with easy read rule marks, enable rapid, repeatable concentric setup, even on out of round pipes and joints.

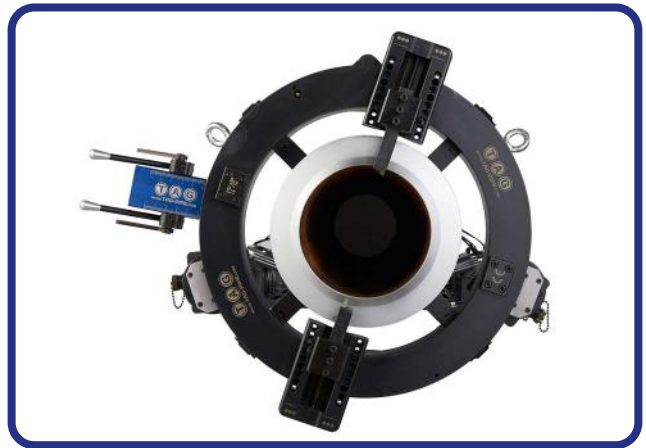
A range of tooling, power units and accessories allow you to tailor your machine to your particular job.



## Features and advantages

- 11 models cover a range from 1" (25.4 mm) to 48" (1,220 mm) o/d
- Pneumatic, hydraulic, standard electric and NC servo electric drive options provide increased versatility
- Adjustable heavy duty bearings, combined with easy access maintenance points allow inspection and adjustment
- Clamping feet are quickly and easily adjusted via a flush hex head through the outer ring. Feet feature easy read measure marks for rapid setup and adjustment
- TAG split frame clamshells accept a wide range of accessories to increase performance and expand machine capabilities
- Unique 'TAG transmission' tool slides with changeable gears for adjustable radial tool feed

## Quick split frame design



# FEATURES



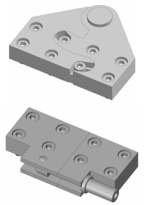
TAG advanced cam roller bearing system enables fine adjustment of bearings for optimal performance and maintenance delivering smooth precise rotation.



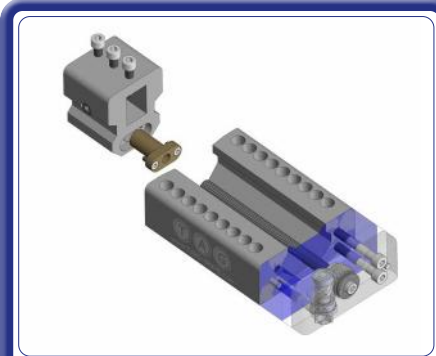
Using the latest high grade aluminium along with treated steel crown the TAG split frames are designed for heavy duty industrial on-site use.



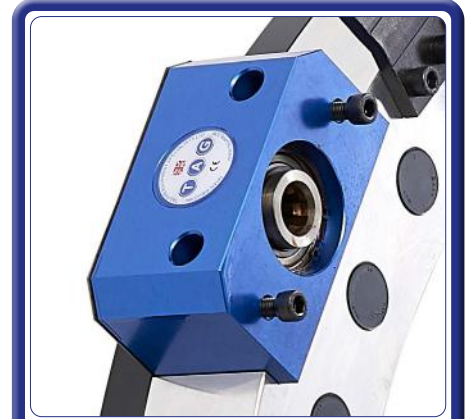
Quick lock/unlock splitting hinge to enable fast setup of machine onto pipes in situ.



Custom made metal box with foam insert to insure protection of the machine.



TAG advanced feeding system delivers feed through worm and crown to evenly distribute pressure through the feeding screw, resulting in reduced vibration and wear on cutting tools.



Two bolt motor mount enables fast mounting of motors. All power drives utilise the same drive block.



## MODULAR BLOCK JAWS

Modular locking system with TAG advanced external metal plate to take pressure away from aluminium ring, clamping foot size 40 x 60mm.



## TELESCOPIC JAWS

Telescopic locking system externally mounted to keep aluminium ring solid for extra strength, increased clamping foot size 55 x 115mm for fast accurate setup.



Double striker enables feeding of 0.2mm per revolution, also utilising TAG extended engaging handle meaning hands free operation.

## DRIVE UNITS

To meet the varying needs of job-sites worldwide, TAG's clamshell motors and drives are available in a range of configurations.

Drive motors are available in servo electric, hydraulic, pneumatic and electric configurations. Motor mounting flanges are available in straight back (in-line), right angle and front drive reversible options.

### TSFC6 - TSFC24

**RECOMMENDED**



Servo Electric Motor



Double pneumatic available

Pneumatic Motor



Hydraulic Motor

**TSFC6 - TFSC12 ONLY**



Electric Motor

### TSFC30 - TSFC120

**RECOMMENDED**



Servo Electric Motor



Double pneumatic available

Pneumatic Motor



Hydraulic Motor

## TAG'S ELECTRIC NC SERVO DRIVE MOTOR

TAG's single phase electric NC (Numerically Controlled) servo motor offers a new level of performance and capacity for electric drive power of TAG's split frame range.

A 1.5 kilowatt servo motor, which, like a 3 phase motor, or hydraulic drive, does not slow and strain under load.

The single servo motor is controlled by a wired remote.

The double servo motor, is controlled by a wireless remote or Delta touch screen NC control unit, enabling accurate, infinite RPM control.

If you carry out the same job regularly with the machine, once you find the optimum performance setting and values, these can be set into the NC control unit and recalled in the future.

Available in single servo for up to 30 mm pipe wall thickness or double servo for 30 mm and above.



Single servo control



Double servo control

## TOOL BOXES AND ACCESSORIES

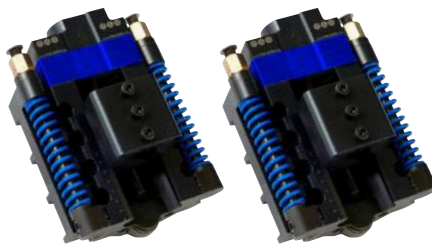
The tool slides are available in various configurations to accept the full range of TAG tooling.



### Standard tool box

Low profile, light weight, for tight access situations. Utilising standard TAG HSS Co blade tooling.

**For cutting and bevelling all materials up to 120mm / 4.7" wall thickness.**



### Spring loaded o/d tracking

A bearing wheel housed in the tool slide, is compressed to the o/d of the pipe by 2 x 150lb springs, ensuring an even, accurate weld prep and root face, by tracking the o/d contour of the pipe especially advantageous for large diameters and out of round pipe.

**For cutting and bevelling all materials of up to 20mm / 0.8" wall thickness.**



### Counter bore tool slide

The counter bore slide module accessory bolts directly to the standard tool slide and can be installed immediately upon completion of the cut and external bevel, to remove any internal inconsistencies prior to welding. The counter bore tool slide can be adjusted from 0 to 45 degree and has 150mm / 6" feed.

## TOOLING

TAG's HSS Co range of tooling includes sever/cut, bevel, double-bevel, compound bevel, J-prepping and counter bore tools. TAG tooling is available in a range of different lengths and sizes, to match tooling with application precisely.

TAG holder and insert tooling enables sever/cut, bevel, compound bevel and counter bore tools many holders utilise the same interchangeable inserts reducing the quantity of consumable parts.

TAG also offers custom designed tooling, special tool steel for applications not covered by its standard range of tooling.

### FIXED ANGLE BEVEL



### COMPOUND BEVEL



### J PREP



*All shapes, sizes and angles available*



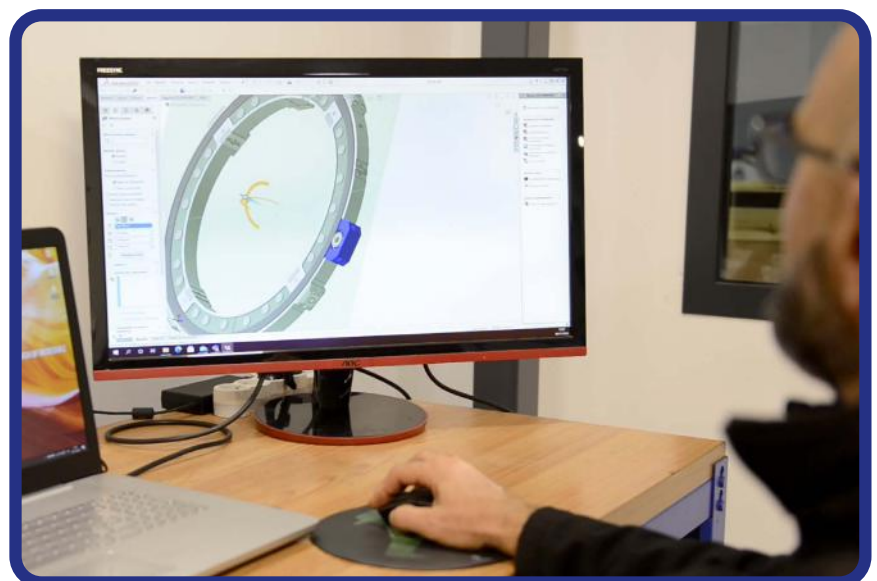
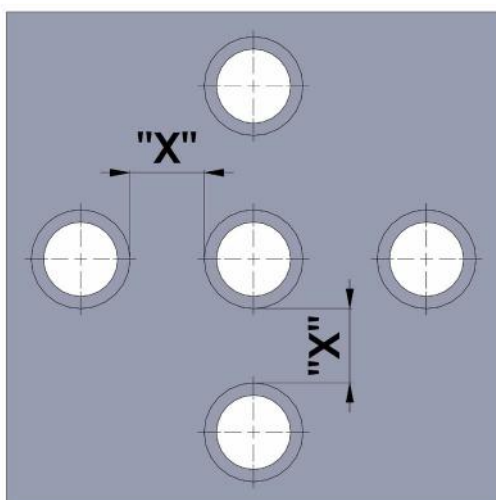
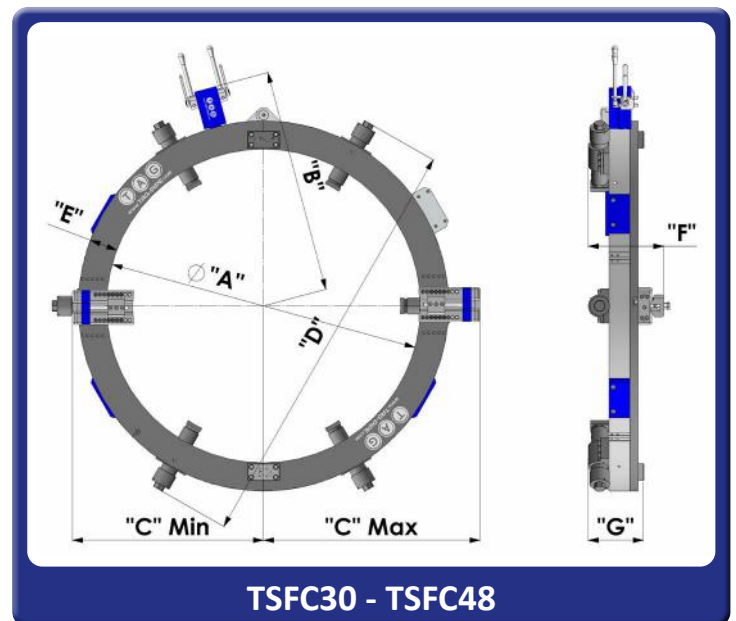
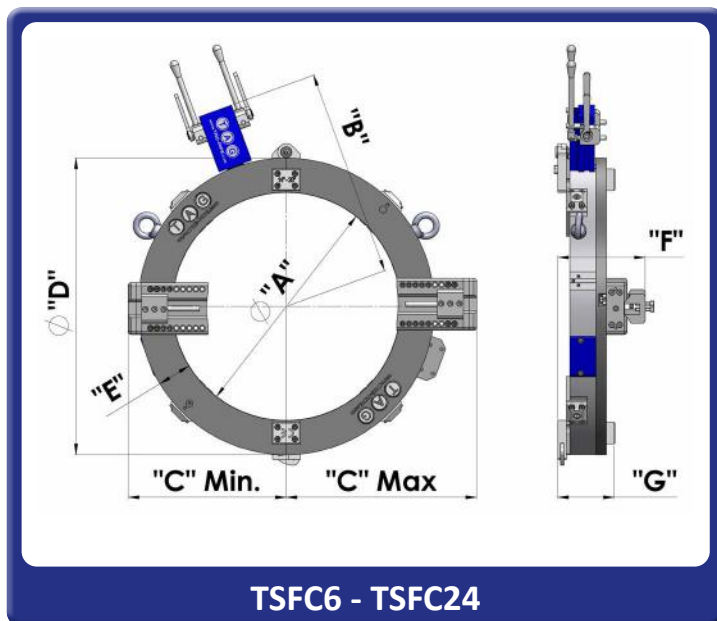
## RING DIMENSIONS

		TSFC6	TSFC8	TSFC12	TSFC16	TSFC18	TSFC20	TSFC24	TSFC30	TSFC36	TSFC42	TSFC48
O/D RANGE	inch	1 - 6"	2 - 8"	6 - 12"	10 - 16"	12 - 18"	14 - 20"	18 - 24"	24"-30"	30"-36"	36"-42"	42"-48"
A	mm	184.00	235.00	350.00	425.00	477.00	528.00	640.00	800.00	956.00	1108.00	1280.00
B	mm	283.00	308.50	396.00	433.50	459.50	485.00	541.00	635.00	713.00	789.00	895.00
C MIN	mm	187.00	212.50	270.00	307.50	333.50	359.00	415.00	523.50	601.50	677.50	783.50
C MAX	mm	197.00	222.50	356.00	393.50	419.50	445.00	501.00	615.00	693.00	769.00	875.00
D	mm	340.00	391.00	506.00	581.00	633.00	684.00	796.00	1180.00	1336.00	1488.00	1800.00
E	mm	78.00	78.00	78.00	78.00	78.00	78.00	78.00	100.00	100.00	100.00	120.00
F	mm	195.50	195.50	195.50	195.50	195.50	195.50	195.50	267.50	267.50	267.50	277.50
G	mm	124.00	124.00	124.00	124.00	124.00	124.00	124.00	196.00	196.00	196.00	206.00
X	mm	130.00	130.00	210.00	210.00	210.00	210.00	210.00	255.00	255.00	255.00	265.00

Low clearance options or custom machines available on request in case of access restrictions

<b>F</b> Ring only	195.50	195.50	195.50	195.50	195.50	195.50	195.50	195.50	267.50	267.50	267.50	267.50
<b>F</b> Pneumatic Motor	535.50	535.50	535.50	535.50	535.50	535.50	535.50	535.50	727.60	727.60	727.60	727.60
<b>F</b> Servo Motor	525.50	525.50	525.50	525.50	525.50	525.50	525.50	525.50	642.50	642.50	642.50	642.50
<b>F</b> Hydraulic Motor	425.00	425.00	425.00	425.00	425.00	425.00	425.00	425.00	425.00	425.00	425.00	425.00

Right angle drive motors are available on request (extra at cost)



## SPLIT FRAME TECHNICAL FEATURES

		TSCF6	TSCF8	TSCF12	TSCF16	TSCF18	TSCF20	TSCF24	TSFC30	TSFC36	TSFC42	TSFC48	
Locking Range	inch o/d	1" - 6"	2" - 8"	6" - 12"	10" - 16"	12" - 18"	14" - 20"	18" - 24"	24" - 30"	30" - 36"	36" - 42"	42" - 48"	
Locking Range	mm o/d	33.7 - 184	60.3 - 235	168.3 - 350	273 - 425	323.8 - 477	355.6 - 528	457.2 - 640	609.6 - 800	762 - 956	914.4 - 1108	1066.8 - 1280	
Ring Only Weight	kg	23	32	46	53	58	62	76	183	204	242	323	
Toolbox Stroke	mm	60	60	90	90	90	90	90	90	90	90	90	
Motor Mount Positions	qty	1	1	1	2	2	2	2	2	2	4	4	
Striker Mount Positions	qty	1	1	2	3	3	3	3	3	4	4	5	
Bearing size	S/L	S	S	S	S	S	S	S	L	L	L	L	
Spline Drive Size	mm	16	16	16	16	16	16	16	25	25	25	25	
Pneumatic Idle Speed	rpm	5 - 36	5 - 28	5 - 21	5 - 18	5 - 17	5 - 16	5 - 15	1 - 8	1 - 8	1 - 7	1 - 6	
Electric Idle Speed	rpm	5 - 20	5 - 16	5 - 12	n/a	n/a	n/a	n/a	n/a	n/a	n/a	n/a	
Servo Electric Idle Speed	rpm	1 - 45	1 - 36	1 - 27	1 - 23	1 - 21	1 - 19	1 - 18	1 - 9	1 - 9	1 - 8	1 - 7	
Hydraulic Idle Speed	rpm	5 - 30	5 - 28	5 - 25	5 - 20	5 - 19	5 - 17	5 - 16	1 - 8	1 - 8	1 - 8	1 - 8	
Pneumatic Motor Power	hp	1.85	1.85	1.85	1.85	1.85	1.85	1.85	3.5	3.5	3.5	3.5	
Double Pneumatic Motor(s) Power	hp	n/a	n/a	n/a	3.7	3.7	3.7	3.7	7.0	7.0	7.0	7.0	
Electric Motor Power	watt	1900	1900	1900	n/a	n/a	n/a	n/a	n/a	n/a	n/a	n/a	
Single Servo Electric Motor Power	Kw	1.5	1.5	1.5	1.5	1.5	1.5	1.5	1.5	1.5	1.5	1.5	
Double Servo Electric Motor(s) Power	Kw	n/a	n/a	n/a	3.0	3.0	3.0	3.0	3.0	3.0	3.0	3.0	
Hydraulic Motor Power	hp	5.40	5.40	5.40	5.40	5.40	5.40	5.40	5.40	5.40	5.40	5.40	
Electric / Servo Electric Voltage	volt	110 / 220	110 / 220	110 / 220	110 / 220	110 / 220	110 / 220	110 / 220	110 / 220	110 / 220	110 / 220	110 / 220	
Electric / Servo Electric Frequency	Hz	50 / 60	50 / 60	50 / 60	50 / 60	50 / 60	50 / 60	50 / 60	50 / 60	50 / 60	50 / 60	50 / 60	
Air Working Pressure	psi / bar	90 / 6.5	90 / 6.5	90 / 6.5	90 / 6.5	90 / 6.5	90 / 6.5	90 / 6.5	90 / 6.5	90 / 6.5	90 / 6.5	90 / 6.5	
Air hose Connection	inch	¾	¾	¾	¾	¾	¾	¾	¾	¾	¾	¾	
Air Consuming Flux (Double x2)	cfm/ LPM	50 / 1400						90 / 2500					
Feed Rate per Revolution	mm / inch	0.2 / 0.008						0.2 / 0.008					
Locking System		MODULAR						TELESCOPIC					

*Our group policy is one of continuous improvement. Products and data tables are subject to change or vary from those illustrated.*

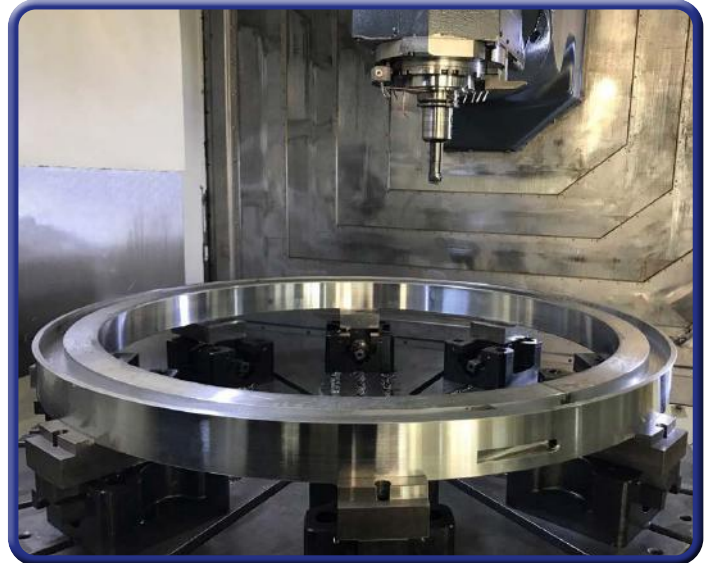
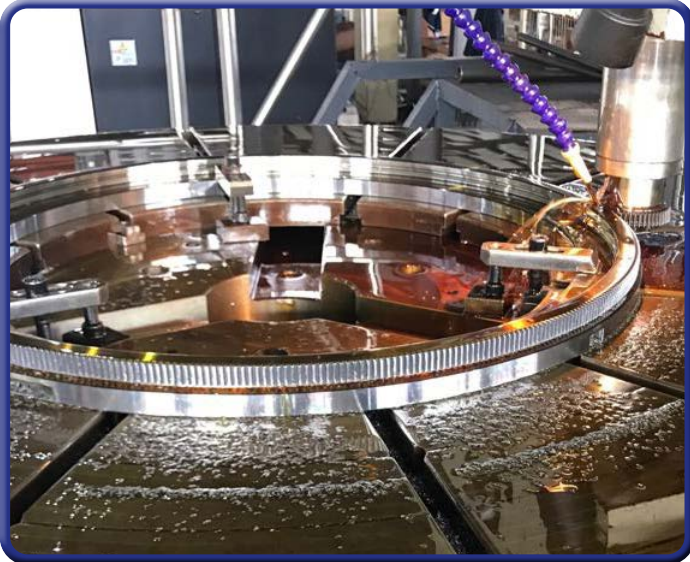
- All complete machines are supplied with: machine ring/body, motor, tool boxes, striker, locking jaws, machine box, service tools.
- A protective custom built metal box is supplied with TSCF6 - TSCF24, all larger sizes are supplied in a custom built wooden box
- Drawings, instruction manual and warranty certificate are also supplied as standard.
- Pneumatic machine must be used with filter lubricator and oil - use without will void warranty.



## SPLIT FRAME PACKING WEIGHTS AND DIMENSIONS

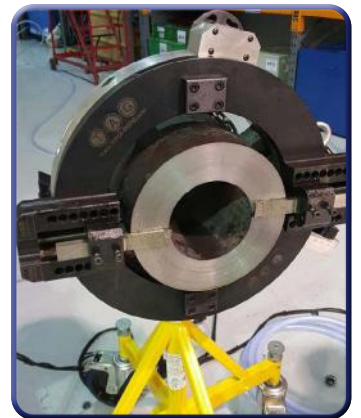
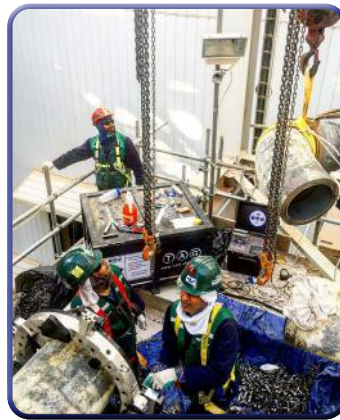
SPLIT FRAME MODEL	MEASUREMENT	TSCF6	TSCF8	TSCF12	TSCF16	TSCF18	TSCF20	TSCF24	TSFC30	TSFC36	TSFC42	TSFC48	
Pneumatic	(kg/lbs)	(167/368)	(177/390)	(197/434)	(238/525)	(241/531)	(249/549)	(262/578)	(300/661)	(335/738)	(375/826)	(445/981)	
Double Pneumatic	(kg/lbs)	n/a	n/a	n/a	(258/569)	(261/575)	(269/593)	(282/622)	(320/705)	(355/782)	(395/870)	(465/1,002)	
Single Servo Electric	(kg/lbs)	(182/401)	(182/401)	(212/467)	(253/558)	(256/564)	(264/582)	(277/611)	(315/694)	(345/760)	(385/848)	(455/1,003)	
Double Servo Electric	(kg/lbs)	n/a	n/a	n/a	(283/624)	(286/631)	(289/637)	(307/677)	(345/760)	(380/837)	(420/926)	(490/1,080)	
Hydraulic	(kg/lbs)	(162/357)	(172/379)	(192/423)	(233/514)	(236/520)	(244/538)	(257/567)	(290/639)	(320/705)	(365/805)	(435/960)	
Packing Dimensions	L x W x H mm	1,200 x 900 x 470			1,450 x 1,000 x 510				1,460 x 1,460 x 500		1,600 x 1,600 x 500		1,960 x 1,960 x 500

# TAG SPLIT FRAME PRODUCTION





# EXAMPLES OF JOBS DONE WITH TAG SPLIT FRAME CLAMSHELLS

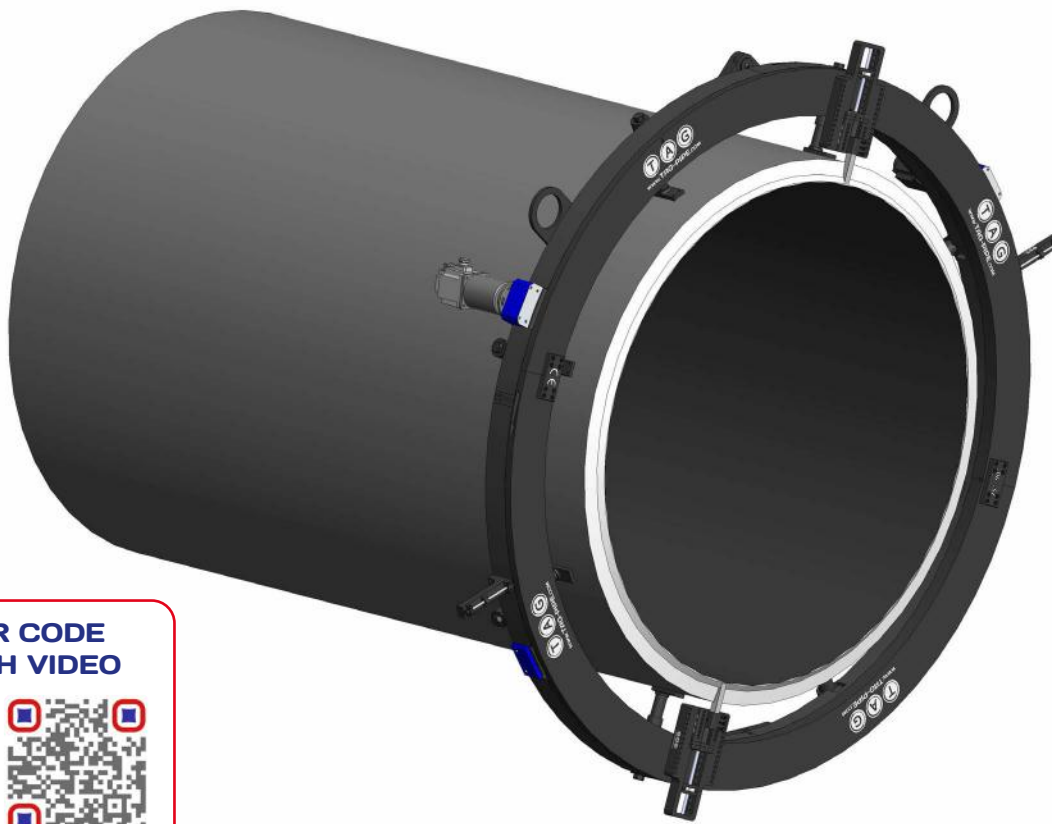




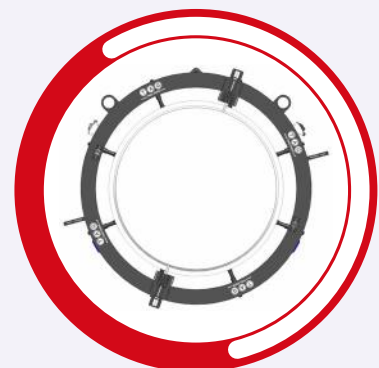
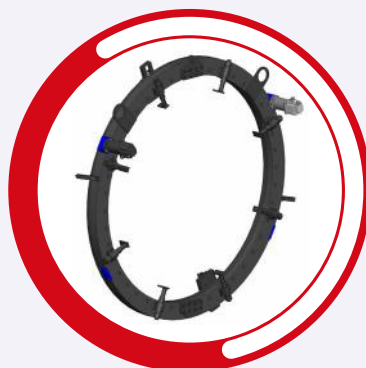
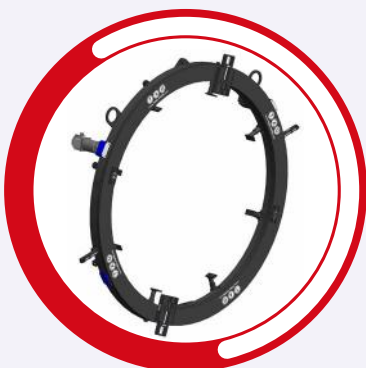


**PIPE EQUIPMENT SPECIALISTS**

**SPLIT FRAME CLAMSHELL  
COLD CUTTING AND BEVELLING  
MACHINES 48" to 120"**



**SCAN QR CODE  
TO WATCH VIDEO**



## Introduction

TAG's new split frame clamshells are essentially portable lathes.

Offering the versatility to cut and bevel (simultaneously if required), face, counterbore and o/d machine pipes (and vessels) of almost any diameter.

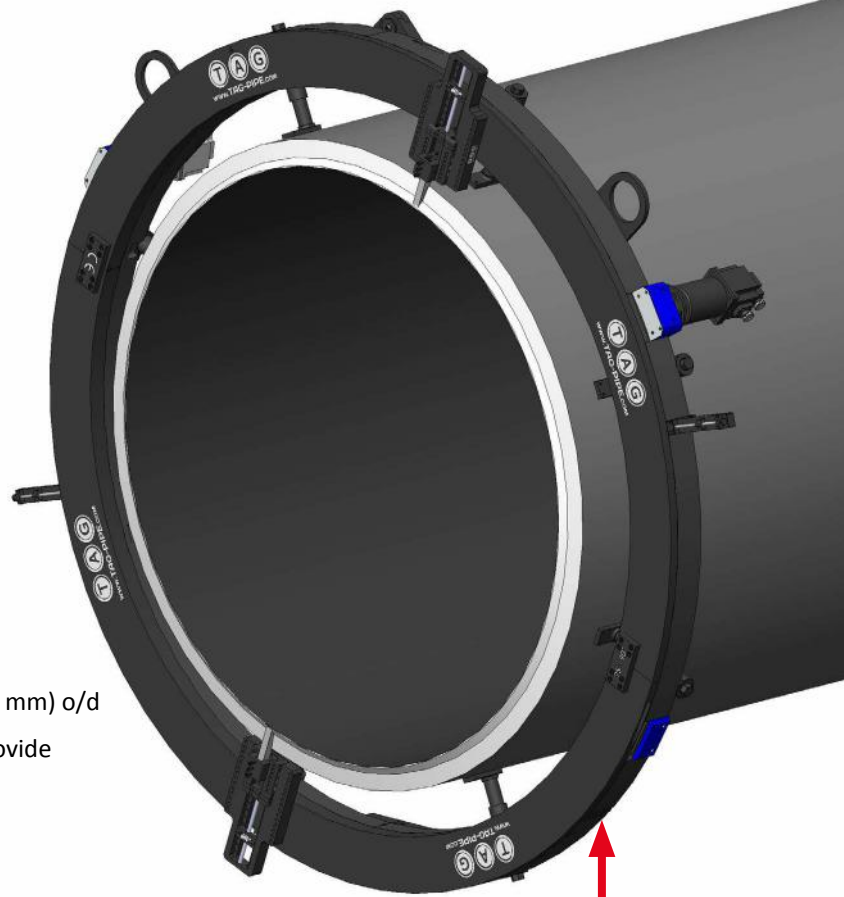
A steel body encases a steel inner ring gear, running on solid bearings.

Coupled with wide, hardened clamping feet, with easy read rule marks, enable rapid, repeatable concentric setup, even on out of round pipes and joints.

A range of tooling, power units and accessories allow you to tailor your machine to your particular job.

## Features and Advantages

- 5 models cover a range from 48" (1,220 mm) to 120" (3,050 mm) o/d
- Pneumatic, hydraulic and NC servo electric drive options provide increased versatility
- Adjustable heavy duty bearings, combined with easy access maintenance points allow inspection and adjustment
- Clamping feet are quickly and easily adjusted via a flush hex head through the outer ring. Feet feature easy read measure marks for rapid setup and adjustment
- TAG split frame clamshells accept a wide range of accessories to increase performance and expand machine capabilities
- Unique TAG transmission tool slides with changeable gears for adjustable radial tool feed



**Heavy duty steel body**

MODEL	RANGE O/D (INCH)	RANGE O/D (MM)	CLAMPING JAWS
TSFC60	48 - 60"	1,220 - 1,524mm	8
TSFC75	60 - 75"	1,524 - 1,910mm	8
TSFC90	75 - 90"	1,910 - 2,290mm	12
TSFC105	90 - 105"	2,290 - 2,680mm	12
TSFC120	105 - 120"	2,680 - 3,050mm	12

Larger sizes available upon request

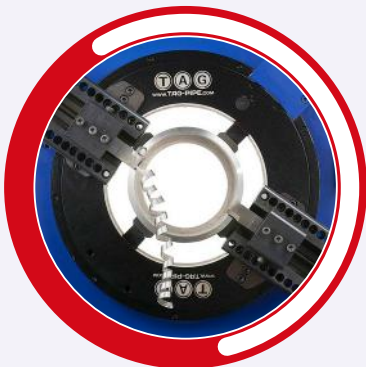




PIPE EQUIPMENT SPECIALISTS

# TAG E-Z FAB PIPE CUTTING AND BEVELLING MACHINE 1" to 24"

SCAN QR CODE  
TO WATCH VIDEO





# E-Z FAB PIPE COLD CUTTING AND BEVELLING MACHINE

*O/D Locking Cold Pipe Cutting and Beveling Machines*



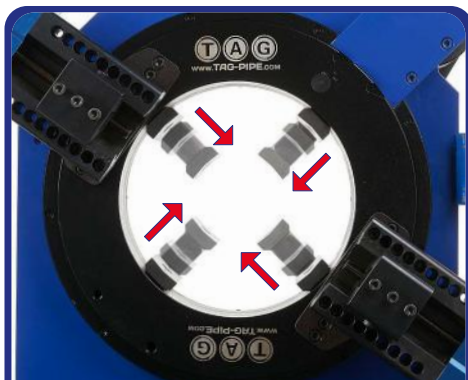
**RANGE: 1 to 24" o/d (30 - 620mm)**

- High speed process pipe cutting and bevelling
- Unique touch screen NC servo electric drive
- Combines accuracy with safety
- Several automation modes
- Any material
- Customisable to your needs



The E-Z FAB is a revolutionary new cutting and bevelling system for pipes. Ideally suited, but not limited to workshops, and high productivity process environments.

The E-Z FAB utilises a similar principle to the clamshell split frame cutting and bevelling machines. The E-Z FAB consists of a movable trolley fitted with a case outer body housing the rotating, working cutting ring which is driven by an NC controlled powerful 1.5kw servo electric motor. This design provides strength, rigidity and speed as well as high efficiency and precision to the pipe cutting process.



Self-centering locking system for rapid alignment and clamping of pipe



Built in coolant pump unit with drip tray as standard

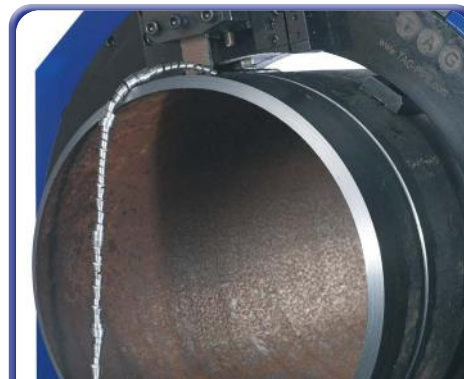


Sealed electrical box housing all NC controls and cabling

**All shapes, sizes and angles available**



Wide range of cutting tools available for cutting all thickness's of pipe and bevelling at any required angle



Pipe cutting



Pipe bevelling



# E-Z FAB PIPE COLD CUTTING AND BEVELLING MACHINE

## Touch screen

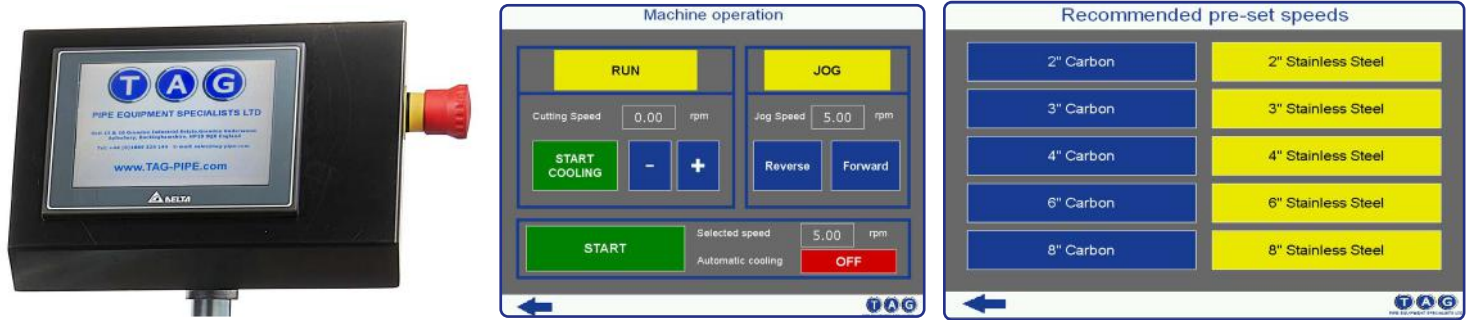
The E-Z FAB has been fitted with a powerful 1.5KW Delta servo motor with Delta NC control. This enables ease of use with all functions touch screen, we have used our 25 years experience to recommend pre-set speeds for pipe size/material as you can see below this enables very quick and easy set up with no human error.

The numerically controlled (NC) servo motor offers unrivalled power and cut speeds, from a touch screen Delta control system, conveniently mounted on an adjustable stalk-arm for operating ease.

The touch screen control comes with 2 main settings: manual and automatic.

The automatic option offers pre-set cut rotation speeds for pipes within each machines' range, whilst the manual option allows the operator to adjust the speed of the machine themselves.

\* Touch screen controls can be customised during commissioning/training.



## Models available

MODEL	RANGE O/D (INCH)	RANGE O/D (MM)	WALL THICKNESS (MM)
EZFAB6	1 - 6"	30 - 170mm	6 - 40mm
EZFAB8	2 - 8"	70 - 220mm	6 - 40mm
EZFAB12	6 - 12"	170 - 320mm	6 - 40mm
EZFAB16	10 - 16"	270 - 420mm	6 - 40mm
EZFAB20	14 - 20"	370 - 520mm	6 - 40mm
EZFAB24	18 - 24"	470 - 620mm	6 - 40mm

\* Wall thickness' less than or greater than the above can be achieved with accessories - please contact TAG.

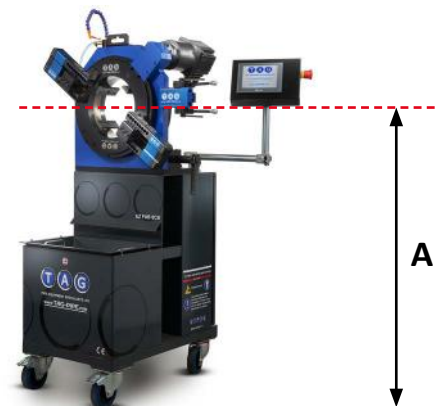
## Example cutting and bevelling times

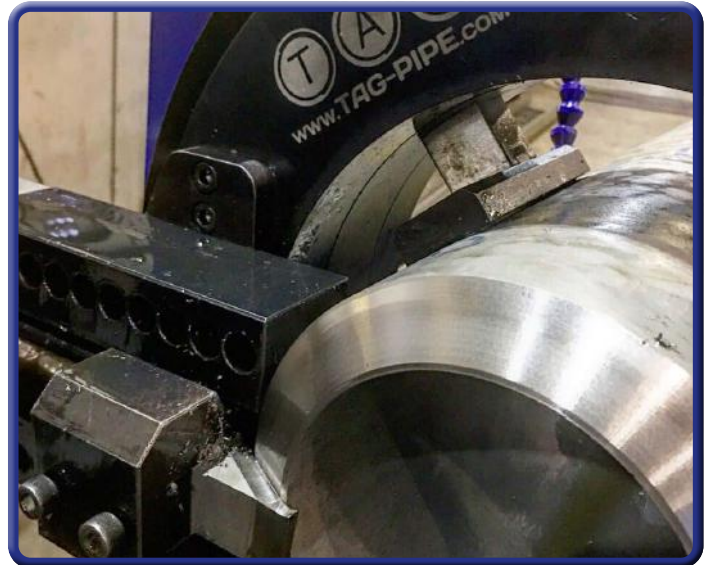
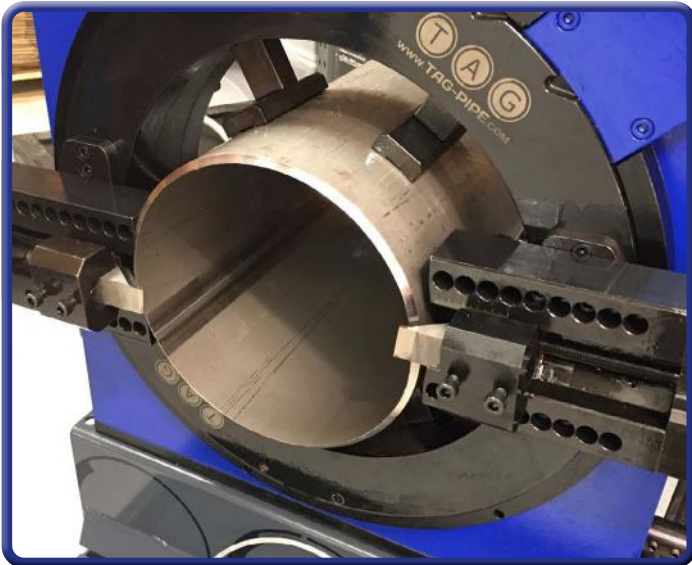
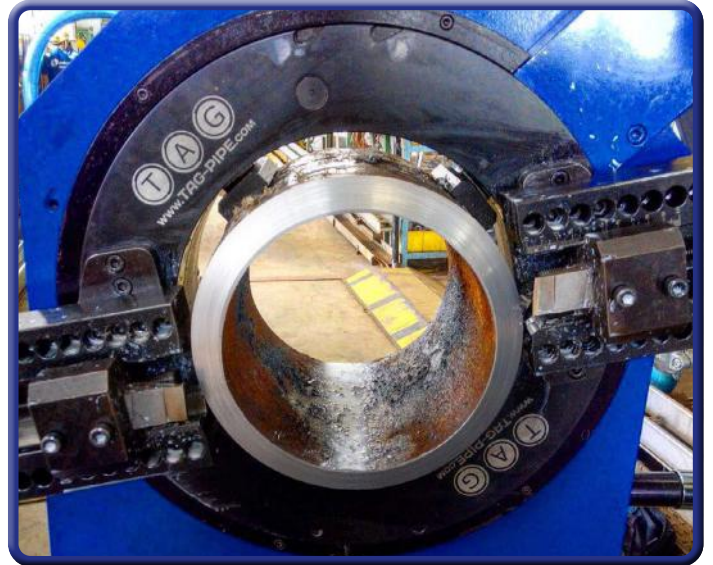
PIPE SIZE	PIPE SHD	WALL THICKNESS (MM)	PIPE MATERIAL	PRE-SET SPEED	CUTTING AND BEVELLING TIME
2 inch	SHD40	4mm	Stainless Steel	45rpm	2 minutes
4 inch	SHD40	4mm	Stainless Steel	30rpm	2.5 minutes
6 inch	SHDXXS	22mm	Carbon	35rpm	5 minutes
8 inch	SHD40	8mm	Stainless Steel	20rpm	9 minutes

## Centreline of cutting point

MODEL	(A) MM	(A) INCH
EZFAB6	1,187.50	46.75
EZFAB8	1,196.00	47.08
EZFAB12	1,132.50	44.58
EZFAB16	1,177.50	46.35
EZFAB20	1,137.50	44.78
EZFAB24	1,462.50	57.57

\* Minus 155mm / 6.10" without castor wheels







**RANGE: 1 - 12" (optional up to 24")**

- **Function:** Cutting up to 45° inclination
- **Material:** Any kind of steel
- **Power:** Pneumatic or electric

The light weight construction and ease of set up and operation makes it ideal for site work applications. It is capable of cutting most materials including stainless steel.




Electric




Pneumatic

**PIPE LOCK CLAMP**




Pipe lock clamp available in three sizes:  
1" - 4" / 4" - 12" / 8" - 24"  
Stop feeding stroke included in the standard equipment.

**SAW BLADE**



Saw blades are sold per pipe size and available in four sizes: 12" / 16" / 20" / 24"  
Also available in heavy duty for stainless steel.

**BLADE GUIDE**



Blade guides are sold per pipe size and available in two sizes: 12" / 24"

**Technical specification**

DESCRIPTION	MEASUREMENT	PNEUMATIC	ELECTRIC
Description	n/a	E-Z Pipe Saw Pneumatic	E-Z Pipe Saw Electric
Part Number	n/a	EZPSP	EZPSE100 / EZPSE220
Locking tube range	mm	25 - 323 o/d	25 - 323 o/d
Recommended working range	inch o/d	1 - 12"	1 - 12"
Torque	N m	186	265
Max operating temperature	°C	55	55
Max noise level	dB	75	75
Pneumatic motor power	hp	1.33	n/a
Air consumption	cfm	55 - 60	n/a
Air working pressure	psi	90	n/a
Air hose connection	inch	3/4"	n/a
Electric motor power	watt	n/a	1400 (adj)
Voltage	volt	n/a	110 / 220
Frequency	Hz	n/a	50
Idle Speed	strokes/min	300	450
Unit weight	kg / lbs	11 / 24	9 / 20
Packing dimensions	L x W x H mm	640 x 280 x 130	640 x 280 x 130
Packing weight	kg / lbs	16 / 35	14 / 31





PIPE EQUIPMENT SPECIALISTS

# PLATE BEVELLING MACHINES



**RANGE: thickness 1.5mm upwards / bevel angle from 22.5° to 60°**  
**Max bevel width: 16mm / max radius: 5mm**

- **Materials:** Any kind of steel, aluminium, brass or plastics
- **Power:** 110 or 220v or pneumatic

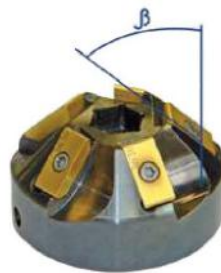
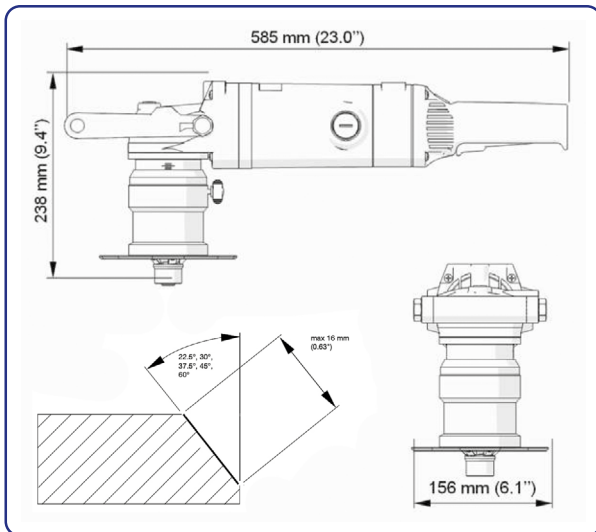
For the deburring of outer and inner outlines, beveling, milling of radii and bore holes as from 40mm  $\varnothing$ .

Depending on the chosen milling head the machine enables beveling materials with minimum thickness of 1.5 mm (0.06") at the angles of 22.5°, 30°, 37.5°, 45°, 55° or 60° and with maximum bevel width of 16 mm (0.63"). Each milling head uses 5 indexable cutting inserts.

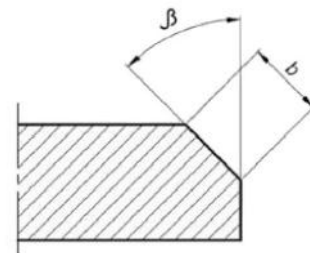
One milling head for beveling radius enables beveling edges with radius of 2, 3, 4 or 5mm with use of 4-sided indexable R2, R3, R4 or R5 cutting inserts.

Especially developed to produce clean visible edges and to prepare welds.

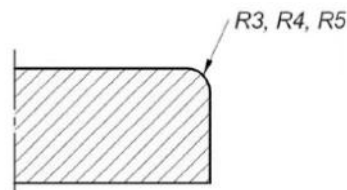
- Tool-less adjustment of bevel height
- Handy and powerful with overload protection
- Speed control for use on variety of materials
- For construction steels, stainless steels, aluminium and other materials



Bevel milling head



Radius milling head



**Technical specification**

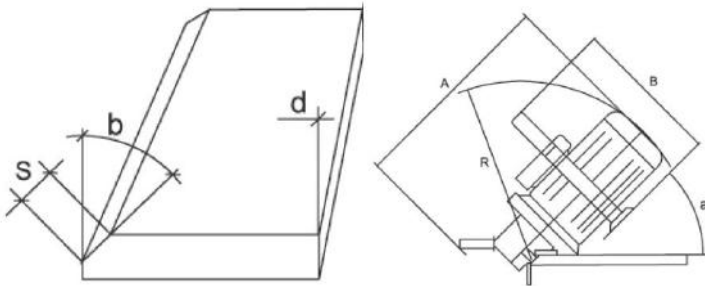
Power Supply	230v / 110v 50 - 60 Hz
Motor	2200W
Motor speed	1800 - 5850rpm
Minimal diameter of countersinking	40mm
Beveling with radius	R2, R3, R4, R5
Maximal bevel width	@ 45° (b) 16mm
Feed	0,5 - 10 m/min (manual)
Beveling angles	22.5°, 30°, 37.5°, 45°, 50°, 55° and 60°
Plate thickness	Minimum 1.5mm
Dimensions	585 x 156 x 238mm
Weight	10kg / 22lbs

**RANGE: thickness 6 to 60mm / bevel angle from 0° to 60°**  
**Max bevel width 21mm**

- **Materials:** Any kind of steel and aluminium
- **Power:** 110 or 220v

The PMM200 - is a new generation, easy to use, portable, heavy duty machine designed for beveling steel plates prior to welding. This beveling machine is fitted with a mono block milling head containing 10, offset inserts, allowing smooth operation and exceptional efficiency. One set of inserts can last for up to 2000 meters of bevelled steel edge and allows to work with an output around 1.5 meters/minute (depending on the amount of the metal being removed).

The PMM200 incorporates many safety features. It has a state of the art electronic control module protecting the operator, machine and tools. It is equipped with guide rolls, which make it easy and light to operate.



A mm (")	B mm (")	R mm (")	S mm (")	D min mm (")	a (°)	b (°)	g (°)	d = 0°	Weight kg (lbs)
420 16 5/8	330 13	305 12	0-20 0-3/4	150 6	45-75	15-60	75-30	Yes	20.0 43



Pipe beveling possible with no accessories up to 12".  
 An optional attachment for beveling up to 24" is also available.



Mono block milling head, with 10 indexable inserts fixed with screws.



Continuous angle adjustment from 0 to 60 degrees.



Plate facing-off



Plate beveling

**Technical specification**

Power Supply	1,1 KW, 110v or 230v
Motor	Inductive with increased start-up current
Motor speed	2.820 rpm
Tooling	Integral milling head with 10 square inserts
Standard angles range	0° - 60°
Optional functions	Plate facing
Plate Thickness	Minimum 6 mm
Dimensions	480 x 420 x 360 mm
Weight	20kg / 44lbs

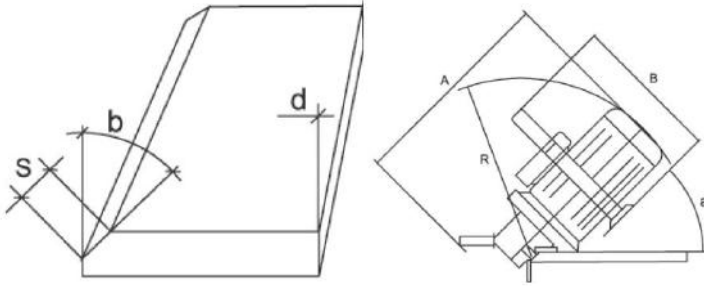
**RANGE: thickness 6 to 60mm / bevel angle from 0° to 60° / max bevel width 21mm**

- **Materials:** Any kind of stainless steel. Will prep all other steels also.
- **Power:** Electric 110 or 220v

The PMM200SS is designed to work on stainless steel with its new powerful slow speed motor. The PMM200SS also has a guide plate with guide rolls made of stainless steel. The PMM200SS is an easy to use, portable, heavy duty machine designed for beveling steel/stainless steel plates prior to welding.

This beveling machine features a new single milling head equipped with 10 square, indexable inserts makes machining process far more efficient and much less operator fatiguing smooth operation and exceptional efficiency. Capable of beveling around 1.5 meters/minute (depending on the amount of the metal being removed).

The PMM200SS incorporates many safety features. It has a state of the art electronic control module protecting the operator, machine and tools. It is equipped with guide rolls, which make it easy and light to operate. Vibration insulation protects both the operator and electronics against vibration.



A mm (")	B mm (")	R mm (")	S mm (")	D min mm (")	a (°)	b (°)	g (°)	d = 0°	Weight kg (lbs)
420 16 5/8	330 13	305 12	0-20 0-3/4	150 6	45-75	15-60	75-30	Yes	20.0 43



Pipe beveling possible with no accessories up to 12".  
An optional attachment for beveling up to 24" is also available.



Mono block milling head, with 10 indexable inserts fixed with screws.



Continuous angle adjustment from 0 to 60 degrees.



Plate facing-off



Plate beveling

**Technical specification**

Power Supply	1,1 KW, 110v or 230v
Motor	Inductive with increased start-up current
Motor speed	2.820 rpm
Tooling	Integral milling head with 10 square inserts
Standard angles range	0° - 60°
Optional functions	Plate facing
Plate Thickness	Minimum 6 mm
Dimensions	480 x 420 x 360 mm
Weight	20kg / 44lbs

# NOTES

A series of horizontal dotted lines for taking notes, spanning the width of the page.

# NOTES

A series of horizontal dotted lines for taking notes.



### Customer service

We work extremely hard supporting and training our team of employees and network of partners and distributors to ensure that from The S.F.E. Group you always receive the:

- Fastest response times
- Quickest delivery times
- Most knowledgeable and accurate advice
- Committed after sales support



### Level of stock

S.F.E. Group carry an unrivalled stock level, meaning no matter how large your order we expect to offer you the fastest delivery time available worldwide.

### Price

You will find our pricing to be very competitive. Give us an opportunity to quote your next project and we are confident you will be pleased! For your convenience we offer our products in the three major currencies: US Dollar, Euro and GB Pound.



### Research and development

Technology is always improving. At S.F.E. Group we firmly intend to move with the times and to be the innovators in our industry with a dedicated team of designers and technicians devoted to improving our existing products as well as innovating the next generation of pipework machinery and tools. All user feedback is passed onto the R&D department to ensure our machines are developed to meet all end user needs. We often hold meetings with customers to ensure the package provided meets all their requirements including custom made machines.



### Production, assembly and quality control

S.F.E. Group is proud to offer the highest quality of components manufactured wholly in Europe/USA. All our machines are assembled in our facilities and undergo vigorous testing and quality control, which is backed by our products being CE Certified, having Certificates of Conformity, Certificates of Origin and our company being ISO9001 accredited.



### Demonstrations, training and exhibitions

We love to show off our products unrivalled performance and are always happy to carry out demonstrations either in our showroom facilities or at your site. In addition we understand the importance of the correct operation of our machinery and tools, so also offer training packages in our training facilities or at your site ensuring safe, efficient and accurate operation. We also participate in all the relevant world wide exhibitions. We also have extremely detailed user manuals and instructional videos.



### Rental division

The S.F.E. Group operates a full, worldwide hire and rental service in cooperation with and supported by its selected and specialized rental partners. S.F.E. Group continuously keeps expanding its rental activities, rental fleet and network and prides itself keeping its renting equipment up to date in order to provide the best possible quality, performance and reliability. S.F.E. Group invites you to share your rental enquiry and will tailor the matching solution to your needs.

**Please contact your local S.F.E. Group branch for all enquiries.  
Details of which can be found on the back cover of this publication.**



SPECIALIZED FABRICATION EQUIPMENT GROUP

# Global Locations:



## UNITED STATES HEAD OFFICE - HOUSTON

SPECIALIZED FABRICATION EQUIPMENT GROUP

4433 South Drive,  
Houston,  
Texas 77053, USA

Tel: +1 713 747 8502

E-mail: [sales@sfe-brands.com](mailto:sales@sfe-brands.com)

## INTERNATIONAL HEAD OFFICE - FRANCE

SPECIALIZED FABRICATION EQUIPMENT GROUP

330B Route de Portes Les Valence,  
ZI les Bosses,  
26800 Etoile-sur-Rhône, France

Tel: + 33 (0) 475 575 070

E-mail: [sales-int@sfe-brands.com](mailto:sales-int@sfe-brands.com)

### SFE UNITED KINGDOM

SPECIALIZED FABRICATION EQUIPMENT GROUP

Unit 15 & 16 Grendon Industrial Estate,  
Grendon Underwood, Aylesbury,  
Buckinghamshire, HP18 0QX England

Tel: +44 (0)1869 324 144

E-mail: [sales-uk@sfe-brands.com](mailto:sales-uk@sfe-brands.com)

### SFE GERMANY

SPECIALIZED FABRICATION EQUIPMENT GROUP

Ostmarkstrasse 15,  
76437 Rastatt,  
Germany

Tel: +49 (0)7222 9355100

E-mail: [sales-germany@sfe-brands.com](mailto:sales-germany@sfe-brands.com)

### SFE KINGDOM OF SAUDI ARABIA

SPECIALIZED FABRICATION EQUIPMENT GROUP

Warehouse No: EM16-10, Air Base Determinant,  
Industrial supply scheme, Ash Shulah, Dammam  
34264, Saudi Arabia

Tel: + 966 50 515 8196

E-mail: [sales-ksa@sfe-brands.com](mailto:sales-ksa@sfe-brands.com)

### SFE MIDDLE EAST

SPECIALIZED FABRICATION EQUIPMENT GROUP

Shams Freezone  
Sharjah

United Arab Emirates

Tel: +971 (0)50 217 1376

E-mail: [sales-me@sfe-brands.com](mailto:sales-me@sfe-brands.com)

### SFE INDIA

SPECIALIZED FABRICATION EQUIPMENT GROUP

Plot No. PAP 3, D 3 Block,  
Chinchwad, Pune 411 019

Mob: +91 90 1102 4332

Mob: +91 95 5258 4361

E-mail: [sales-india@sfe-brands.com](mailto:sales-india@sfe-brands.com)

### SFE LATIN AMERICA

SPECIALIZED FABRICATION EQUIPMENT GROUP

4433 South Drive,  
Houston,  
Texas 77053, USA

Tel: +1 713 747 8502

E-mail: [sales-latam@sfe-brands.com](mailto:sales-latam@sfe-brands.com)

### SFE SOUTH KOREA

SPECIALIZED FABRICATION EQUIPMENT GROUP

102 - 1301 Bucheon Technopark III  
421 - 742 Gyeonggi-do-seoul, Taehan-min'guk  
South Korea

Tel: +82 32 624 2870

E-mail: [sales-asia@sfe-brands.com](mailto:sales-asia@sfe-brands.com)

### SFE VIETNAM

SPECIALIZED FABRICATION EQUIPMENT GROUP

P1.2.13 Sky-Linked Villa, Diamond Alnata,  
Celadoncity, 89 Đường N1, P. Sơn Kỳ,  
Q. Tân Phú, TpHCM.

Tel: +84 91 951 70 18

E-mail: [sales-vietnam@sfe-brands.com](mailto:sales-vietnam@sfe-brands.com)

### SFE CHINA

SPECIALIZED FABRICATION EQUIPMENT GROUP

1208, 12F, #D 7001 Zhongchun RD  
Minhang District  
Shanghai, China

Tel: +86 215 429 1891

E-mail: [sales-china@sfe-brands.com](mailto:sales-china@sfe-brands.com)

Copyright © 2023 Specialized Fabrication Equipment Group, All rights reserved.

## OUR BRANDS

